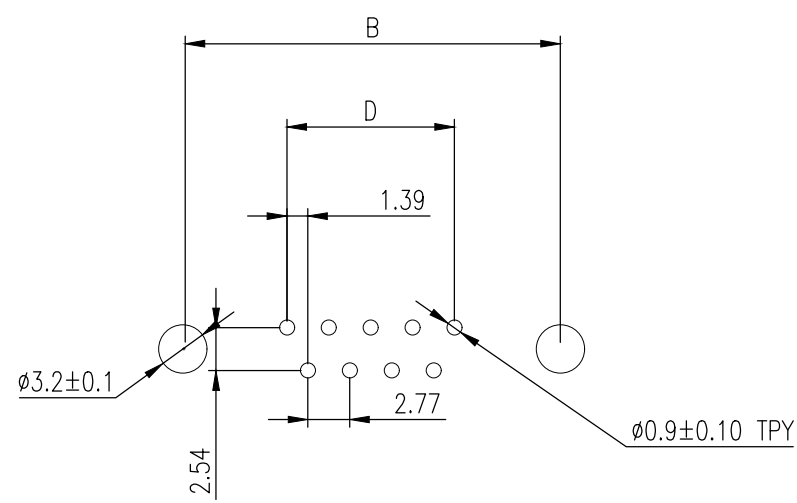
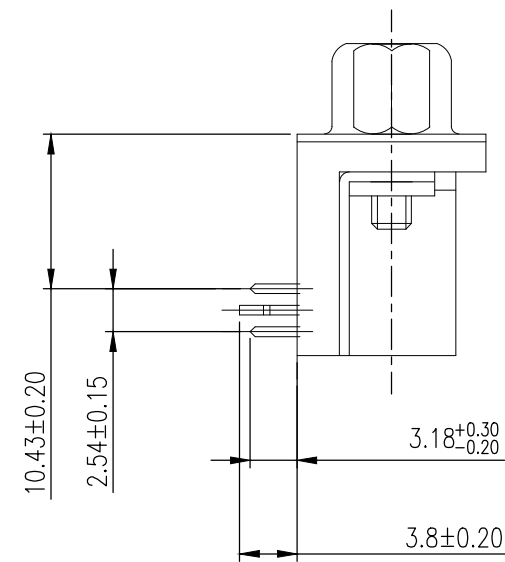
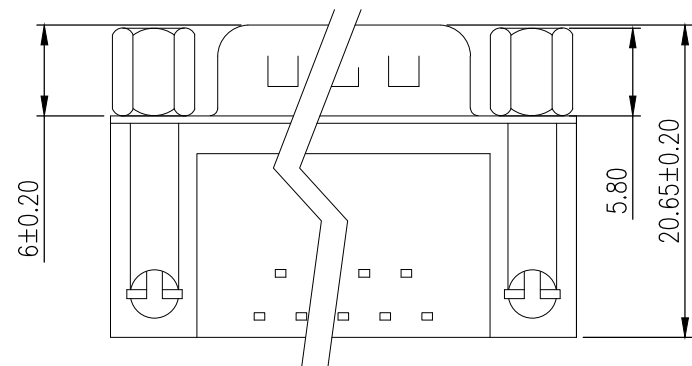
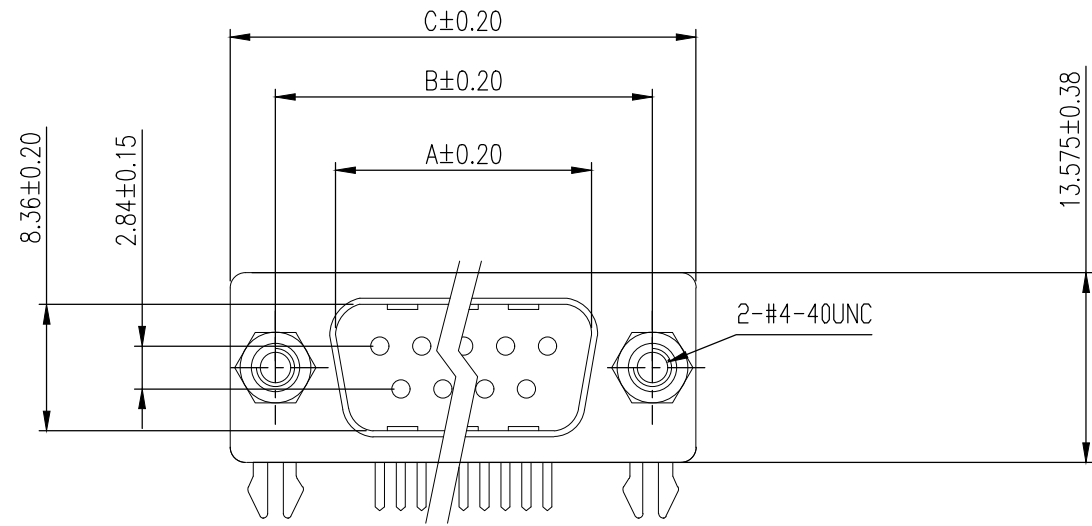




THIS DRAWING IS UNPUBLISHED. RELEASED FOR PUBLICATION  
 © COPYRIGHT - By - ALL RIGHTS RESERVED.

REVISIONS					
P	LTR	DESCRIPTION	DATE	DWN	APVD
-	-	SEE SHEET 1	-	-	-

PART NUMBER	No. of Contact	A ±0.20	B ±0.20	C ±0.20	D
2301843-2	09	16.90	24.99	30.81	11.08



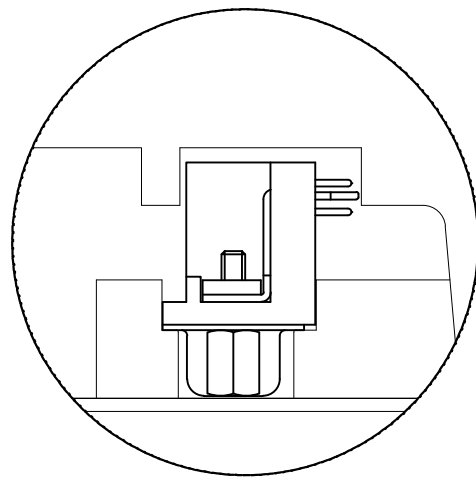
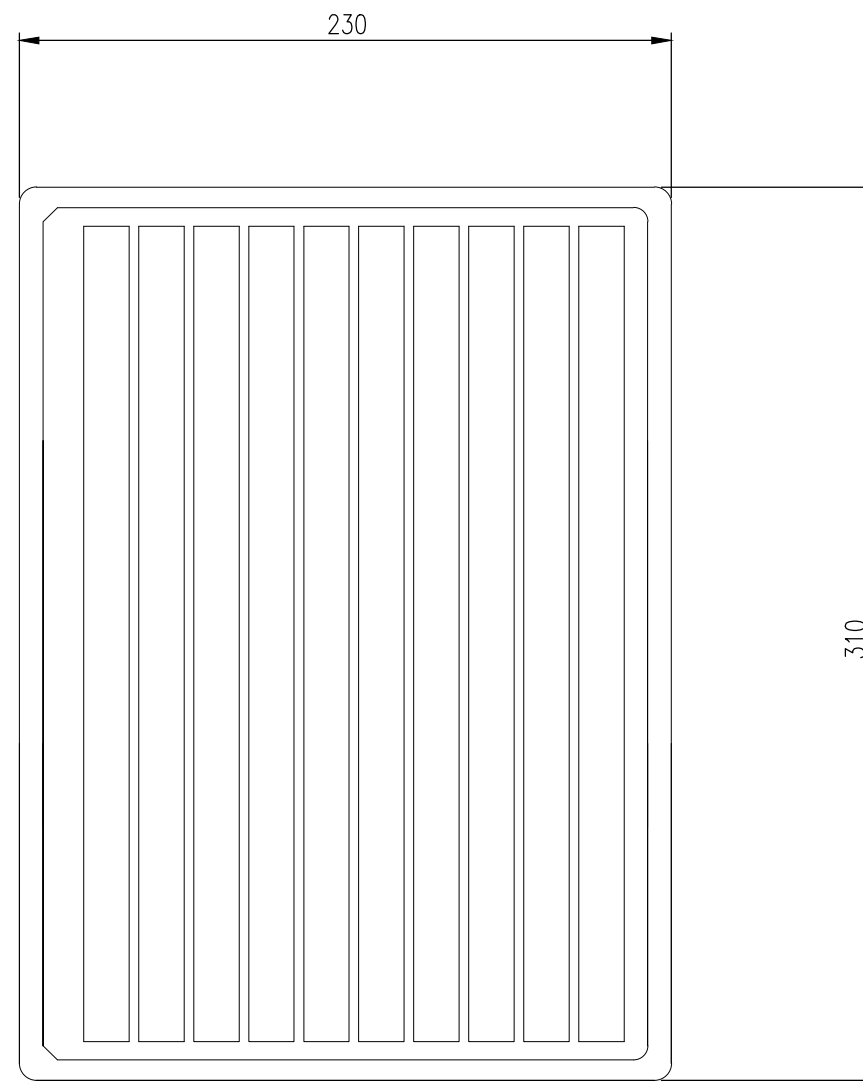
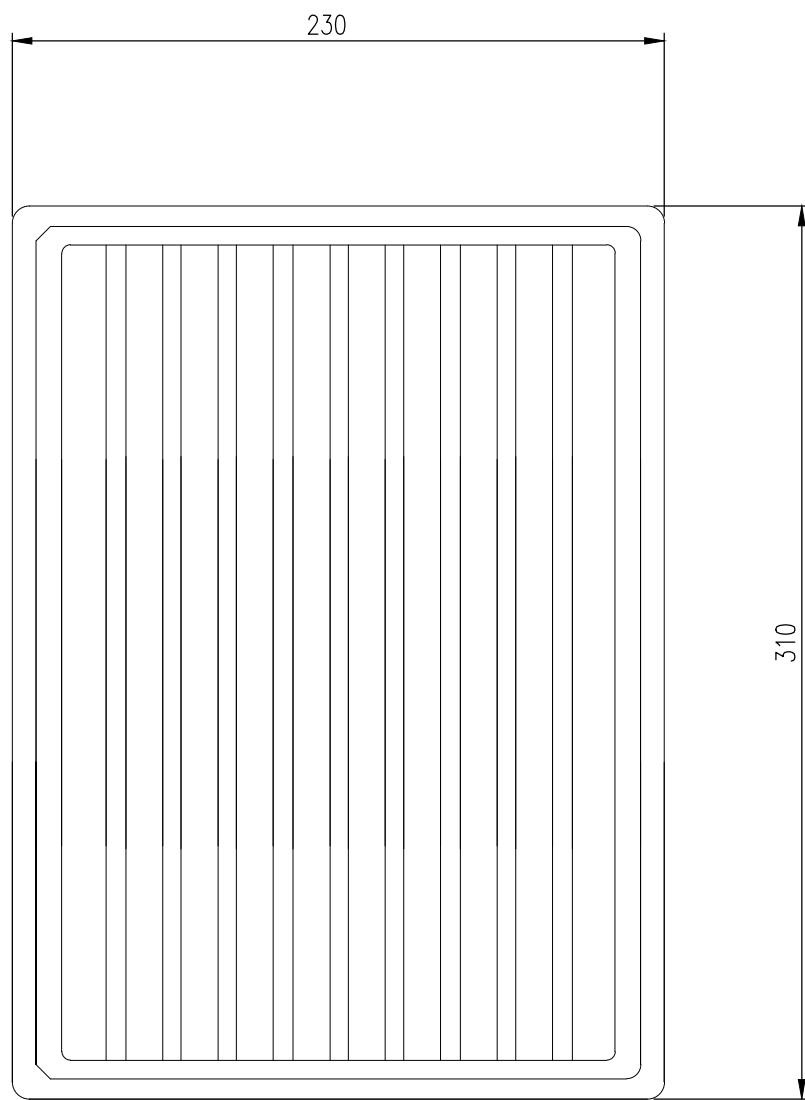
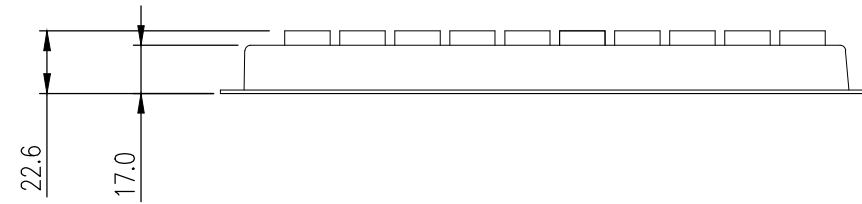
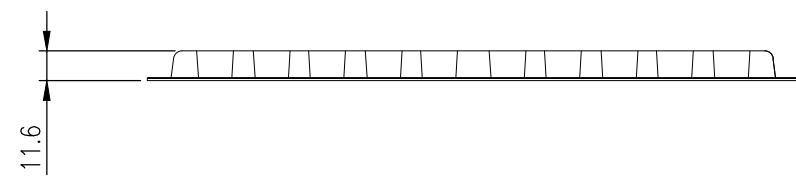
P.C.B LAYOUT

2301843

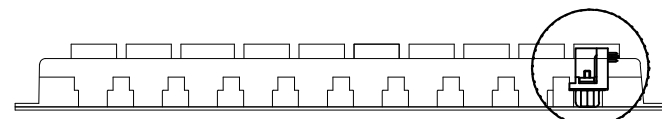
THIS DRAWING IS A CONTROLLED DOCUMENT.		DWN	AJITH PAI	07FEB2017	9W D PLG W B/L & 4-40 S/LOCK 15U" GOLD		2301843-2
DIMENSIONS: mm		CHK	DAN GORENC	07FEB2017	DESCRIPTION		TE PART NO
TOLERANCES UNLESS OTHERWISE SPECIFIED:		APVD	-	07FEB2017			
0 PLC ± -		PRODUCT SPEC	108-130013		NAME		9 WAY D-SUB PLUG WITH BOARD LOCK
1 PLC ± 0.38		APPLICATION SPEC	-		SIZE	A2	00779
2 PLC ± 0.25		WEIGHT	0		CAGE CODE	C=2301843	DRAWING NO
3 PLC ± 0.10		CUSTOMER DRAWING			SCALE	2:1	SHEET 2 of 4
4 PLC ± -					RESTRICTED TO	-	
ANGLES ± -					REV	G	
FINISH							

THIS DRAWING IS UNPUBLISHED. RELEASED FOR PUBLICATION  
 © COPYRIGHT - By - ALL RIGHTS RESERVED.

REVISIONS					
P	LTR	DESCRIPTION	DATE	DWN	APVD
-	-	SEE SHEET 1	-	-	-



DETAIL A

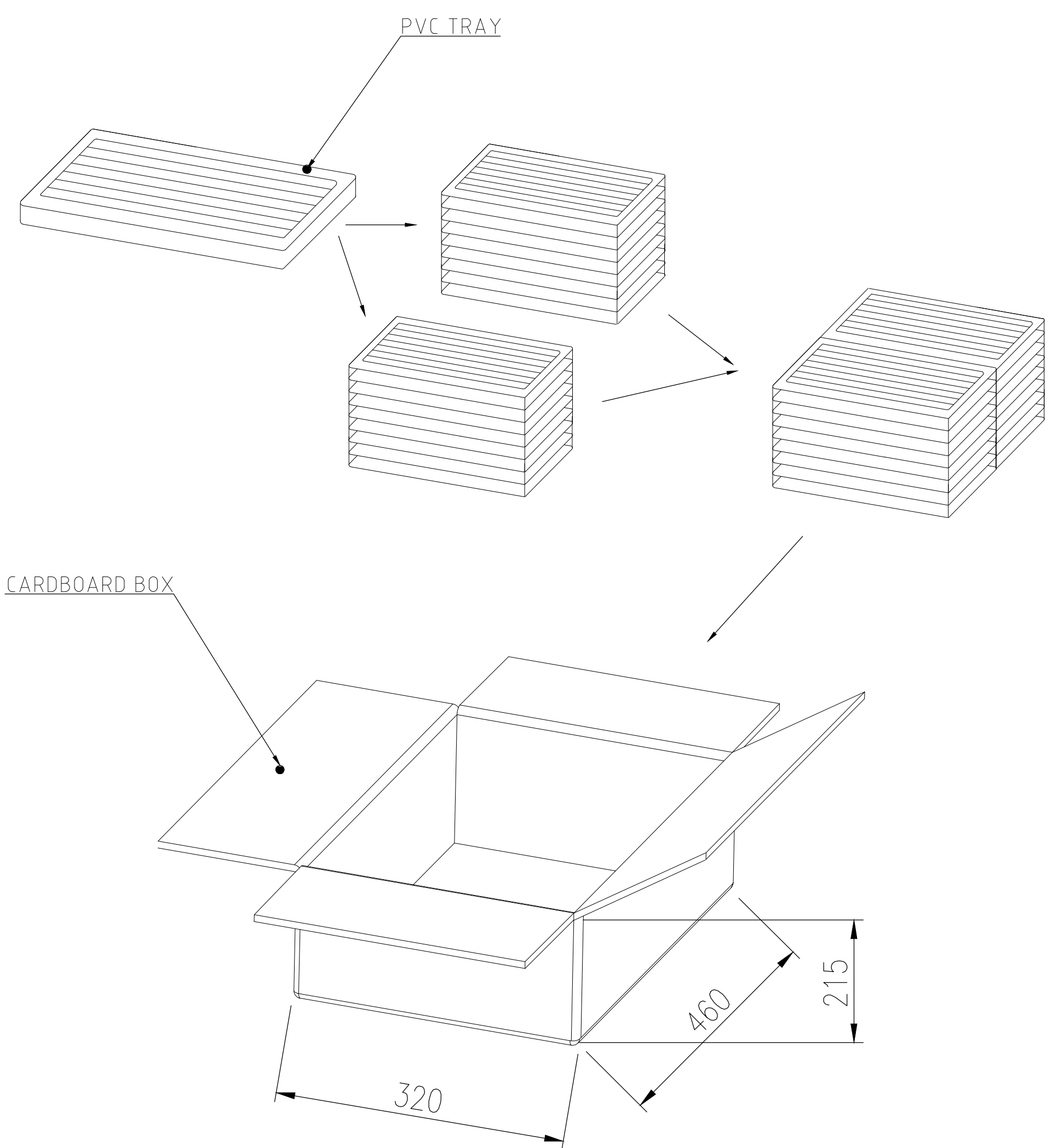


DETAIL A

THIS DRAWING IS A CONTROLLED DOCUMENT.		DWN AJITH PAI 07FEB2017		
DIMENSIONS: mm		CHK DAN GORENC 07FEB2017		
TOLERANCES UNLESS OTHERWISE SPECIFIED:		APVD - 07FEB2017	NAME 9 WAY D-SUB PLUG WITH BOARD LOCK	
0 PLC ± - 1 PLC ± 0.38 2 PLC ± 0.25 3 PLC ± 0.10 4 PLC ± - ANGLES ± -		PRODUCT SPEC 108-130013	SIZE A2	CAGE CODE 00779
MATERIAL -		FINISH -	DRAWING NO C=2301843	RESTRICTED TO -
WEIGHT 0		SCALE 3:1		SHEET 3 of 4
CUSTOMER DRAWING		REV G		

THIS DRAWING IS UNPUBLISHED. RELEASED FOR PUBLICATION  
 © COPYRIGHT - By - ALL RIGHTS RESERVED.

REVISIONS					
P	LTR	DESCRIPTION	DATE	DWN	APVD
-	-	SEE SHEET 1	-	-	-



15.326	13.306	90	16	1440	2301843-2
12.734	10.714	90	16	1440	2301843-1
GROSS WEIGHT (Kg)	NET WEIGHT (Kg)	PCS/TRAY	TRAYS /CARTON	QUANTITY PCS	PART NUMBER

THIS DRAWING IS A CONTROLLED DOCUMENT.		DWN AJITH PAI 07FEB2017			
DIMENSIONS: mm		CHK DAN GORENC 07FEB2017			
TOLERANCES UNLESS OTHERWISE SPECIFIED:		APVD - 07FEB2017	NAME 9 WAY D-SUB PLUG WITH BOARD LOCK		
0 PLC ± -		PRODUCT SPEC 108-130013	SIZE A2		
1 PLC ± 0.38		APPLICATION SPEC -	CAGE CODE 00779	DRAWING NO C=2301843	RESTRICTED TO -
2 PLC ± 0.25		WEIGHT 0	SCALE 1:1		
3 PLC ± 0.10		CUSTOMER DRAWING	SHEET 4 of 4	REV G	
4 PLC ± -					
ANGLES ± -					
FINISH -					