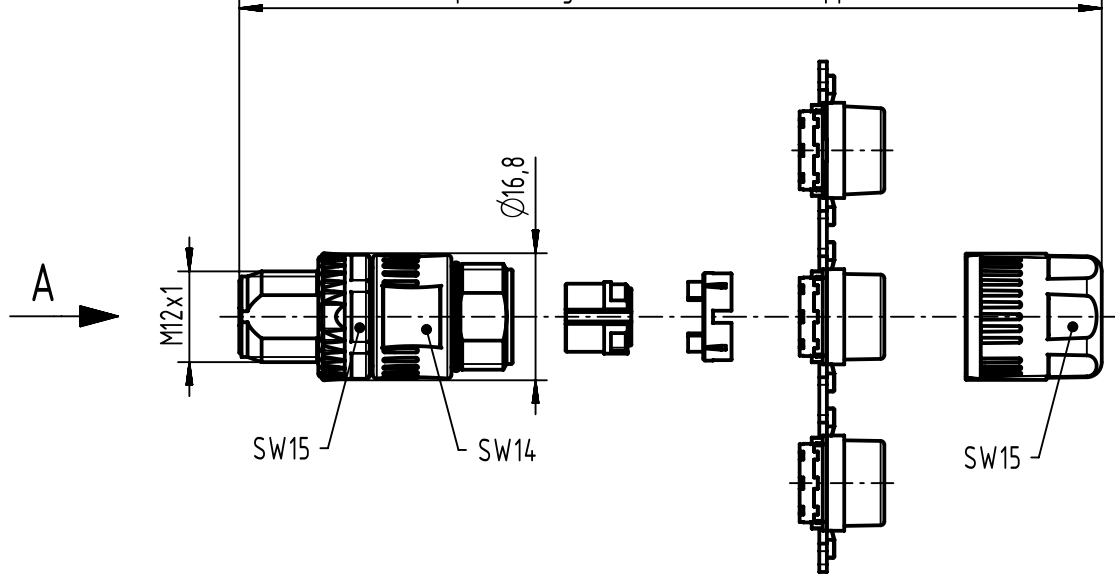


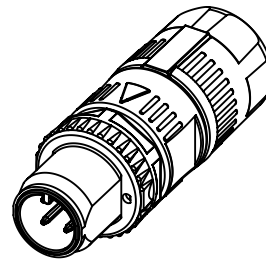
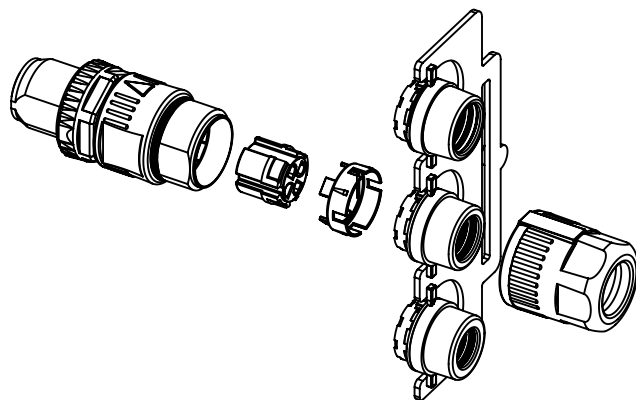
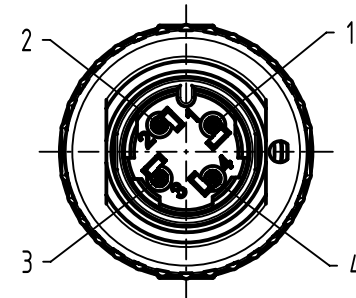
1 2 3 4 5 6

complete length when assembled app. 46mm




A (2:1)

contact face acc. to
IEC 61076-2-101



| | |
|-------------------------|-------------|
| conductor cross section | AWG22 |
| cable outside diameter | 5.7 - 8.8mm |

| | | | | | | | |
|---|--|--|-----------------------|-----------------------------|--------------------|--|--------------|
|  | All rights reserved Department EC PD - DE | All Dimensions in mm Original Size DIN A4 | | | Scale 1:1 | Free size tol. | Ref. Sub. |
| | | Created by BUSSMANTT | Inspected by GENAU | Standardisation HOFFMANN | Date 2017-05-04 | State Approved | |
| HARTING Electronics GmbH D-32339 Espelkamp | | Title M12-SD-CC-IDC-4P-ACOD-M-STR-SHLD | | | | Doc-Key / ECM-Nr. 100669908/UGD/001/C 500000118458 | |
| | | Type TB | Number 21033221400 | | | Rev. C | Page 1/1 |