

THIS DRAWING IS UNPUBLISHED.

RELEASED FOR PUBLICATION

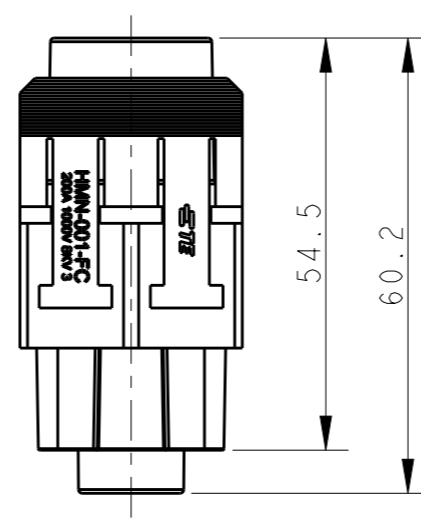
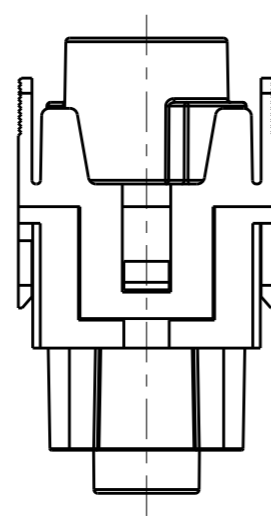
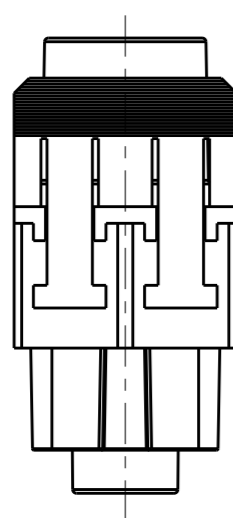
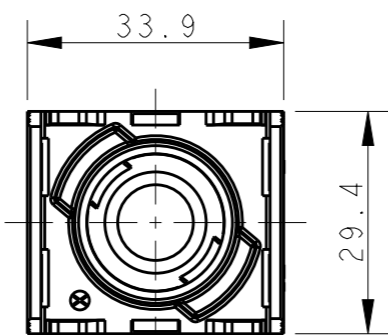
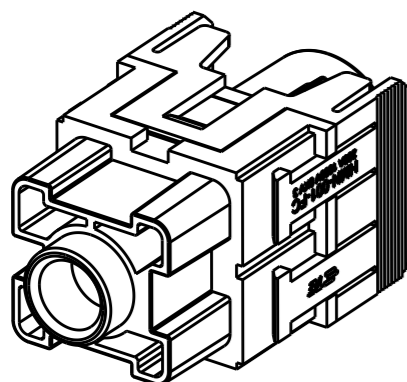
20

© COPYRIGHT 20 BY -

ALL RIGHTS RESERVED.

REVISIONS

P	LTR	DESCRIPTION	DATE	DWN	APVD
	B	INITIAL	18SEP2017	YC	CW
	B1	ECR-18-000057	03JAN2018	YC	CW



NOTES:

- TECHNICAL CHARACTERISTICS:
 INSULATION MATERIAL: PC
 RATED VOLTAGE: 1000V
 RATED CURRENT: 200A
 INSULATION RESISTANCE: $\geq 400M\Omega$
 RATED IMPULSE VOLTAGE: 8KV
 POLLUTION DEGREE: 3
 CONTACT RESISTANCE: $\leq 0.5m\Omega$
 FLAMMABILITY: UL94V-0
 MATING CYCLES: 500 CYCLES
 WIRE RANGE: $25mm^2 \sim 70mm^2$
 CONTACT TYPE: CRIMP TYPE.

注释:

- 技术参数:
 绝缘材料: PC
 额定电压: 1000V
 额定电流: 200A
 绝缘电阻: $\geq 400M\Omega$
 脉冲电压: 8KV
 污染等级: 3
 接触电阻: $\leq 0.5m\Omega$
 阻燃等级: UL94V-0
 插拔次数: 500次
 接线范围: $20mm^2 \sim 70mm^2$
 接线类型: 压接

T2111013201-007	HMN-001-FC	HMN-001 FEMALE MODULE INSERT, CRIMP HMN-001 冷压模块母插
PART NUMBER 料号	PART DESCRIPTION 描述	

THIS DRAWING IS A CONTROLLED DOCUMENT.		DWN 18SEP2017 YORK CHEN		
DIMENSIONS: mm		CHK 18SEP2017 GINO YAO		
TOLERANCES UNLESS OTHERWISE SPECIFIED:		APVD 18SEP2017 CHRIS WANG	NAME HMN-001-FC	
0 PLC \pm		PRODUCT SPEC 108-137057	SIZE	
1 PLC \pm		APPLICATION SPEC 114-137057	CAGE CODE	
2 PLC \pm		WEIGHT -	DRAWING NO A300779	
3 PLC \pm		CUSTOMER DRAWING	RESTRICTED TO -	
4 PLC \pm			SCALE 1:1	
ANGLES \pm			SHEET 1 OF 1	
FINISH			REV B1	