

THIS DRAWING IS UNPUBLISHED.

RELEASED FOR PUBLICATION

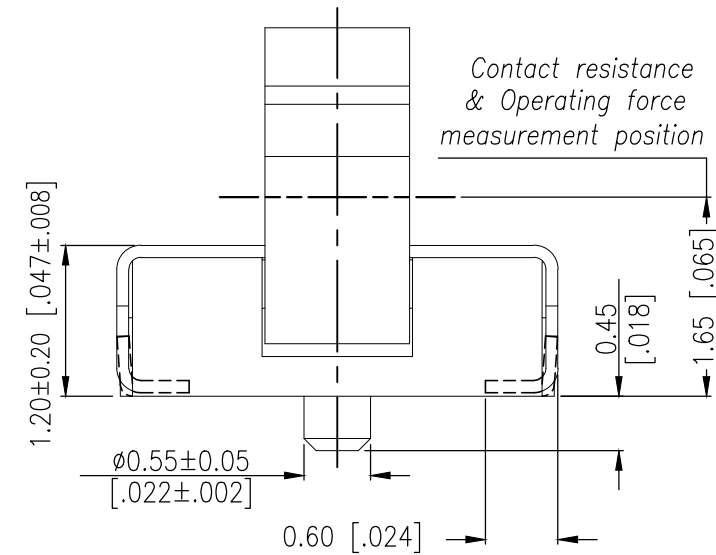
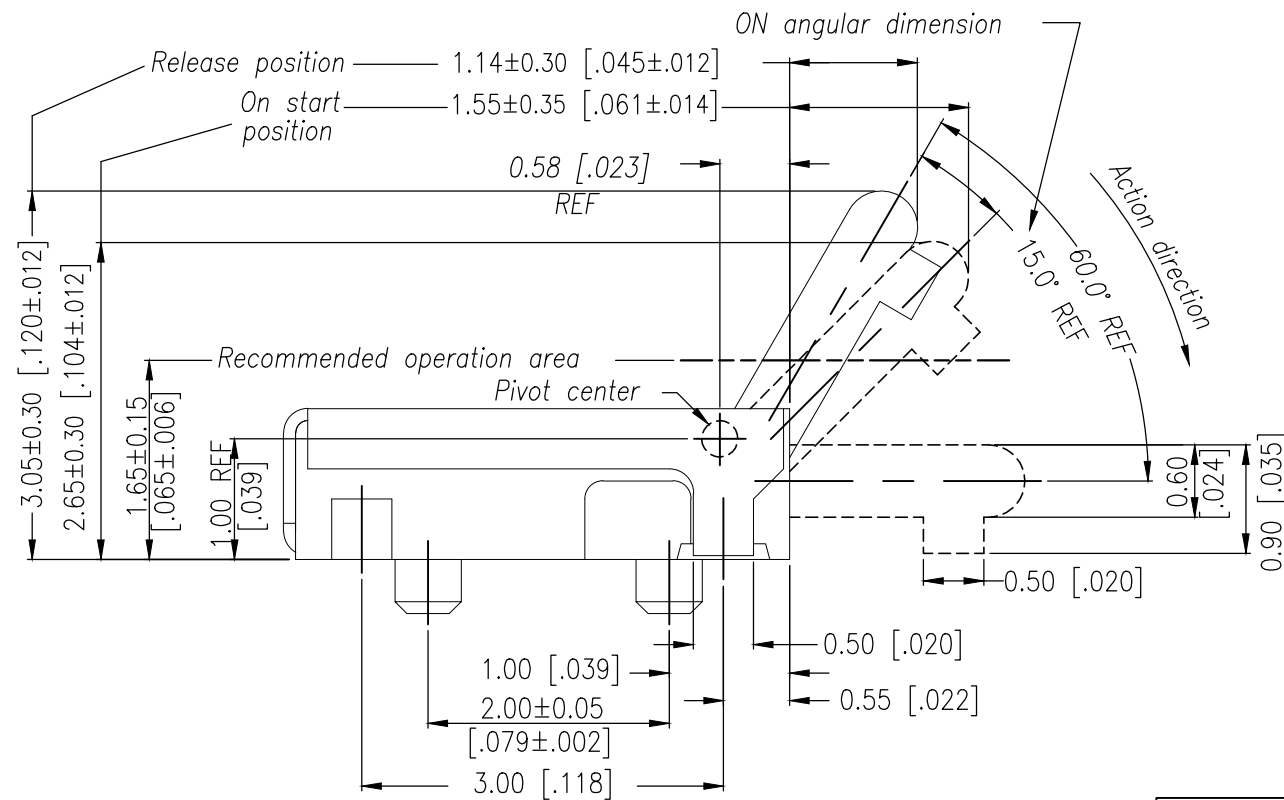
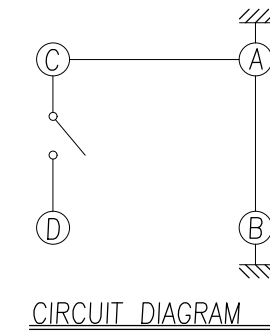
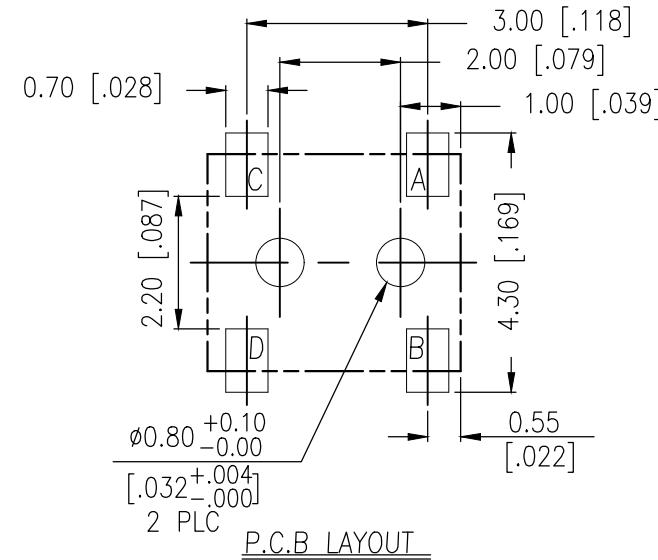
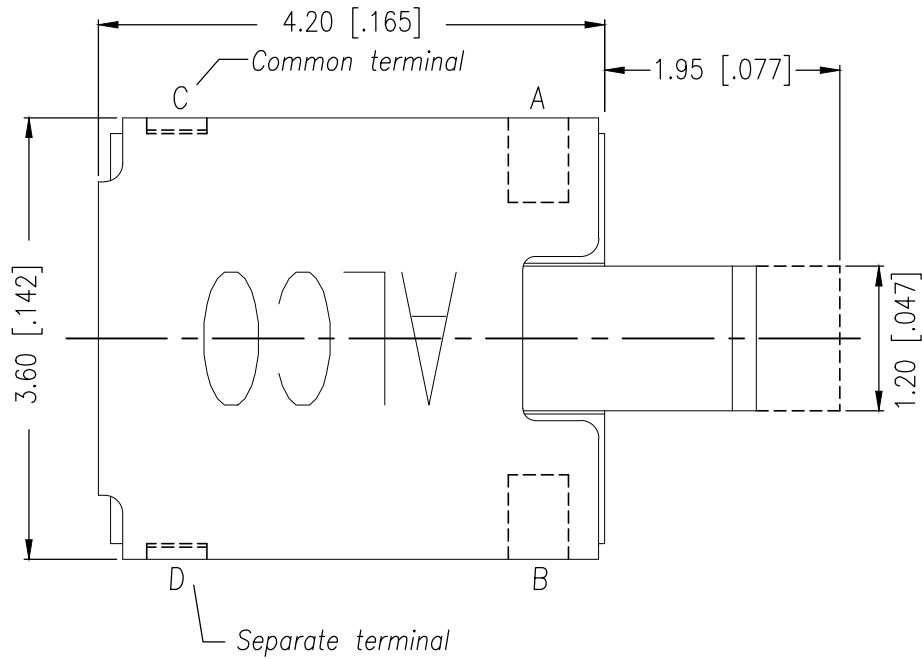
REVISIONS

© COPYRIGHT - TE Connectivity Ltd.

ALL RIGHTS RESERVED.

P	LTR	DESCRIPTION	DATE	DWN	APVD
1		NEW DRAWING	07MAR2018	GCM	AS

2331413-1
AS SHOWN



PRELIMINARY

THIS DRAWING IS A CONTROLLED DOCUMENT.		DWN	GANESH C M		07MAR2018
DIMENSIONS: mm [INCHES]		CHK	ALEXANDER SHARPE		07MAR2018
TOLERANCES UNLESS OTHERWISE SPECIFIED:		APVD	ALEXANDER SHARPE		07MAR2018
<ul style="list-style-type: none"> 0 PLC ± - 1 PLC ± - 2 PLC ± 0.20 [.008] 3 PLC ± - 4 PLC ± - ANGLES ± - 		PRODUCT SPEC	NAME		
MATERIAL		APPLICATION SPEC	SWITCH, DETECTOR, JJD SERIES, 4.2X3.6mm, VER ACTUATION, DOWN, SMT, WITH POSTS		
FINISH		WEIGHT	SIZE	CAGE CODE	DRAWING NO
			A3	00779	C-2331413
		CUSTOMER DRAWING	SCALE	SHEET	REV
			NTS	1 of 3	1

PRELIMINARY

STE TE Connectivity Ltd.

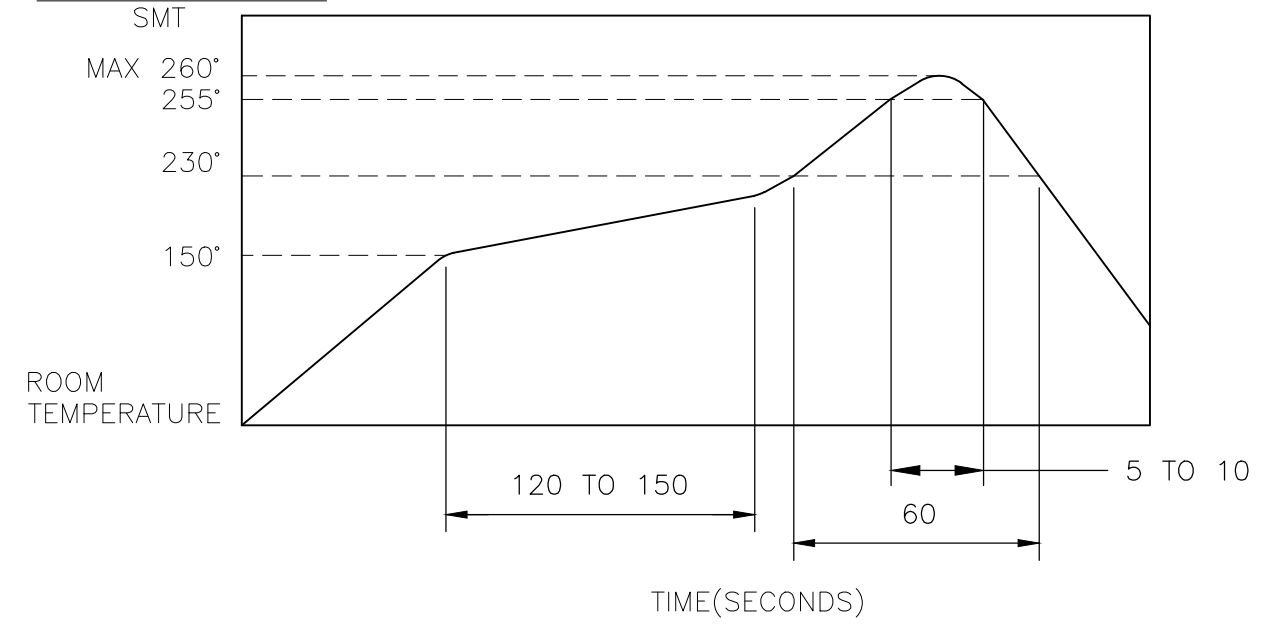
THIS DRAWING IS UNPUBLISHED. RELEASED FOR PUBLICATION
 © COPYRIGHT - TE Connectivity Ltd. ALL RIGHTS RESERVED.

REVISIONS					
P	LTR	DESCRIPTION	DATE	DWN	APVD
-	-	SEE SHEET 1	-	-	-

NOTES:

- MATERIALS**
 ACTUATOR: THERMOPLASTIC, UL 94V-0, BLACK
 BODY: THERMOPLASTIC, UL 94V-0, BLACK
 COVER: NICKEL SILVER
 TERMINAL: COPPER ALLOY, SILVER PLATE
 CONTACT: COPPER ALLOY, GOLD PLATE
 SILICONE: SILICONE, BLACK
 STEM: THERMOPLASTIC, UL94V-0, BLACK
- COMPLIANCE:**
 ALL MATERIALS AND FINISHES SHALL COMPLY WITH EU DIRECTIVE 2002/95/EC OF 27JAN2003(RoHS)
- SPECIFICATIONS:**
 RATING: DC 3V, 50 mA TO DC 5V, 10mA
 CONTACT RESISTANCE: 1Ω MAXIMUM(INITIAL)
 INSULATION RESISTANCE: 100MΩ MINIMUM AT 100 V DC
 DIELECTRIC STRENGTH: 100 V AC, 1 MINUTE
 OPERATING LIFE: 50,000 CYCLES WITH LOAD
 TOTAL TRAVEL: 60°
 ACTUATION FORCE: 40gf MAXIMUM
 OPERATING TEMPERATURE: -10°C TO 60° C
 STORAGE TEMPERATURE: -20°C TO 70° C

4. SOLDER CONDITIONS:



THE CONDITION MENTIONED ABOVE IS THE TEMPERATURE ON THE CU FOIL OF THE PCB SURFACE. THERE ARE CASES WHERE THE BOARD'S TEMPERATURE GREATLY DIFFERS FROM THE SWITCH'S SURFACE. DO NOT ALLOW SWITCH'S SURFACE TEMPERATURE TO EXCEED 260°C

MANUAL SOLDERING

SOLDERING TEMPERATURE	MAX.350°C.
CONTINUOUS SOLDERING TIME	MAX. 5 SECONDS.

PRECAUTIONS IN HANDLING

- CARE SHOULD BE EXERCISED SO THAT FLUX FROM THE UPPER PART OF THE PRINTED CIRCUIT BOARD DOES NOT ADHERE TO THE SWITCH.

JJDVDUJ305NOPMRQTR	2331413-1
SMART PART NUMBER	PART NUMBER

PRELIMINARY

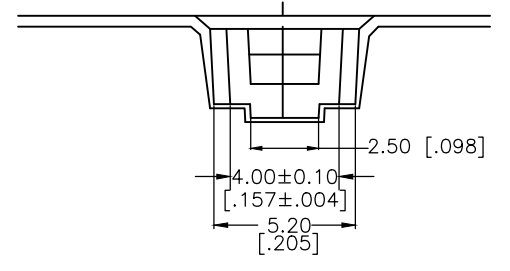
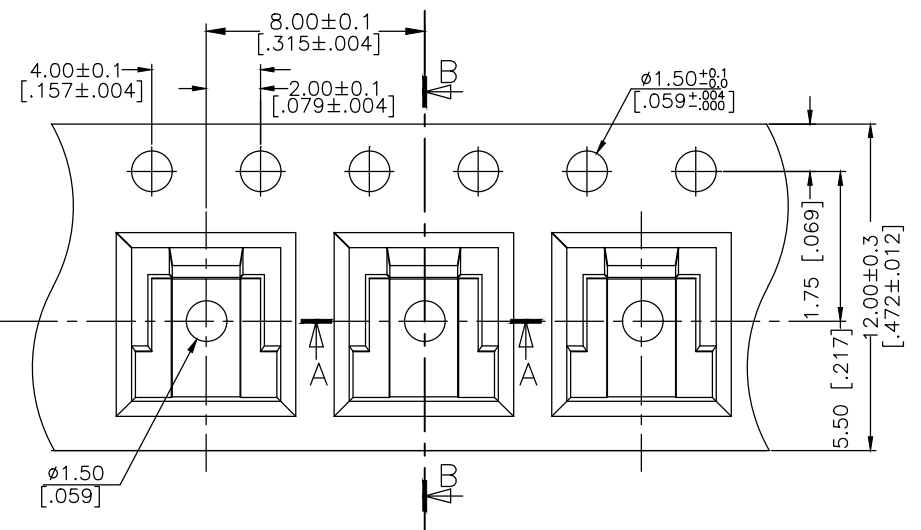
THIS DRAWING IS A CONTROLLED DOCUMENT.		DWN GANESH C M 07MAR2018	STE TE Connectivity Ltd.														
DIMENSIONS: mm [INCHES]		CHK ALEXANDER SHARPE 07MAR2018															
TOLERANCES UNLESS OTHERWISE SPECIFIED:		APVD ALEXANDER SHARPE 07MAR2018	NAME SWITCH, DETECTOR, JJD SERIES, 4.2X3.6mm, VER ACTUATION, DOWN, SMT, WITH POSTS														
<table border="1"> <tr><td>0 PLC</td><td>± -</td></tr> <tr><td>1 PLC</td><td>± -</td></tr> <tr><td>2 PLC</td><td>± 0.20 [.008]</td></tr> <tr><td>3 PLC</td><td>± -</td></tr> <tr><td>4 PLC</td><td>± -</td></tr> <tr><td>ANGLES</td><td>± -</td></tr> </table>		0 PLC	± -	1 PLC	± -	2 PLC	± 0.20 [.008]	3 PLC	± -	4 PLC	± -	ANGLES	± -	PRODUCT SPEC -	SIZE A3		
0 PLC	± -																
1 PLC	± -																
2 PLC	± 0.20 [.008]																
3 PLC	± -																
4 PLC	± -																
ANGLES	± -																
MATERIAL -		FINISH -	APPLICATION SPEC -	CAGE CODE 00779	DRAWING NO 2331413												
		WEIGHT	RESTRICTED TO -	SCALE NTS	SHEET 2 of 3												
CUSTOMER DRAWING			REV 1														

THIS DRAWING IS UNPUBLISHED. RELEASED FOR PUBLICATION
 © COPYRIGHT - TE Connectivity Ltd. ALL RIGHTS RESERVED.

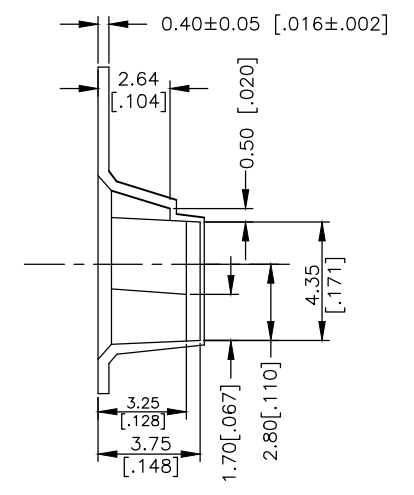
REVISIONS					
P	LTR	DESCRIPTION	DATE	DWN	APVD
-	-	SEE SHEET 1	-	-	-

PACKAGING:
 2000 SWITCHES PER REEL

THE DIMENSION OF CARRIER TAPE, COVER TAPE AND REEL

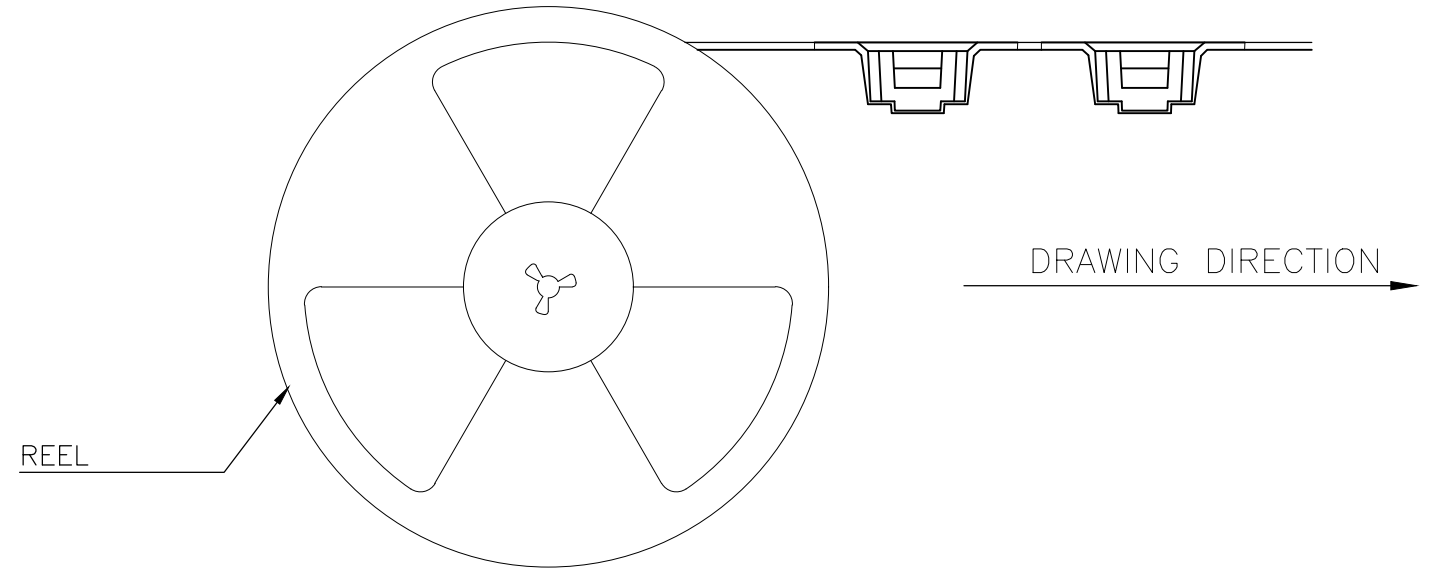
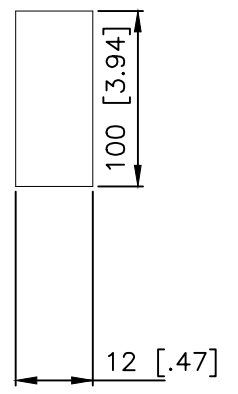
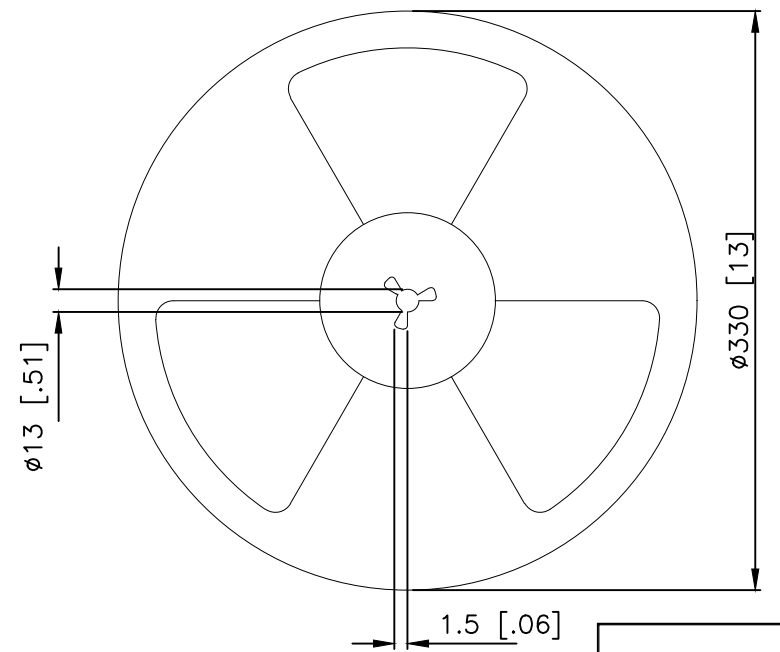
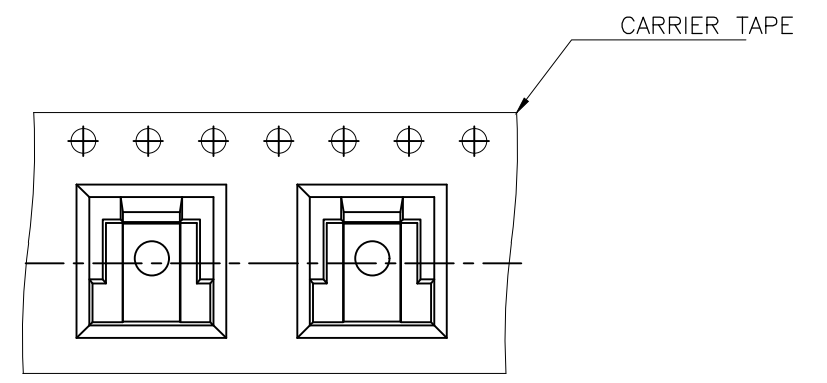


Section A-A



Section B-B

THE DIRECTION OF PILOT HOLES



PRELIMINARY

THIS DRAWING IS A CONTROLLED DOCUMENT.		DWN GANESH C M 07MAR2018	TE Connectivity Ltd.			
DIMENSIONS: mm [INCHES]		CHK ALEXANDER SHARPE 07MAR2018				NAME
TOLERANCES UNLESS OTHERWISE SPECIFIED:		APVD ALEXANDER SHARPE 07MAR2018	SWITCH, DETECTOR, JJD SERIES, 4.2X3.6mm, VER ACTUATION, DOWN, SMT, WITH POSTS			
0 PLC ± - 1 PLC ± - 2 PLC ± 0.20 [.008] 3 PLC ± - 4 PLC ± - ANGLES ± -		PRODUCT SPEC -	APPLICATION SPEC -			
MATERIAL -		FINISH -	SIZE A3	CAGE CODE 00779	DRAWING NO C-2331413	RESTRICTED TO -
CUSTOMER DRAWING			SCALE NTS	SHEET 3 OF 3	REV 1	