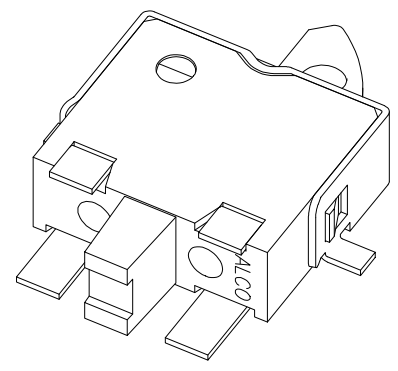
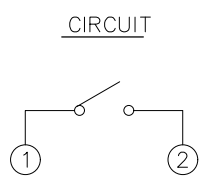
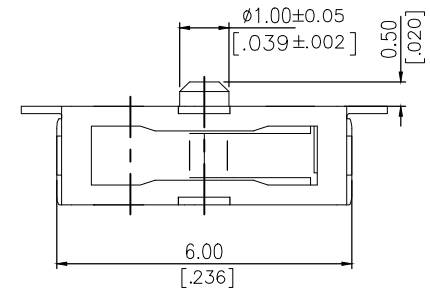


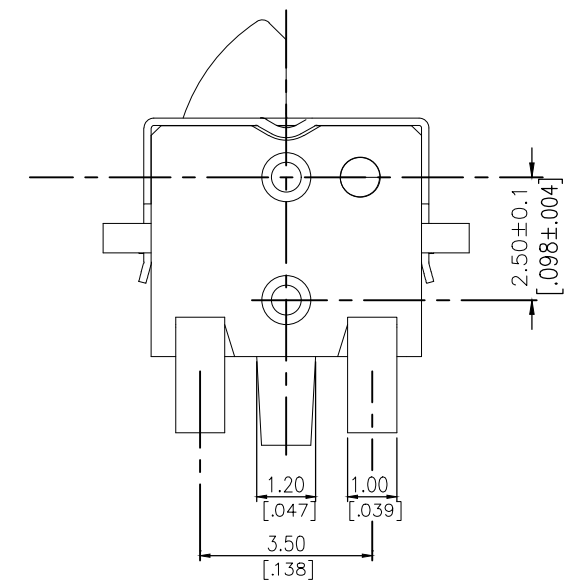
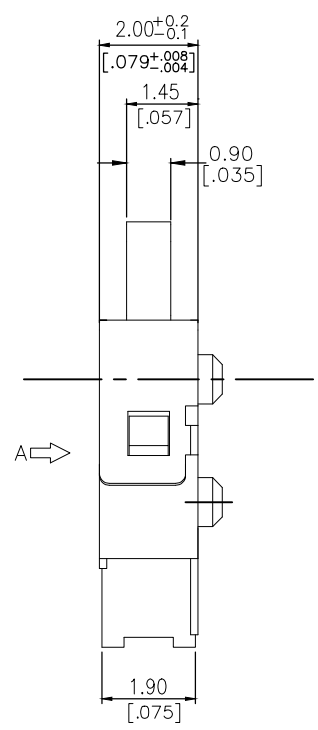
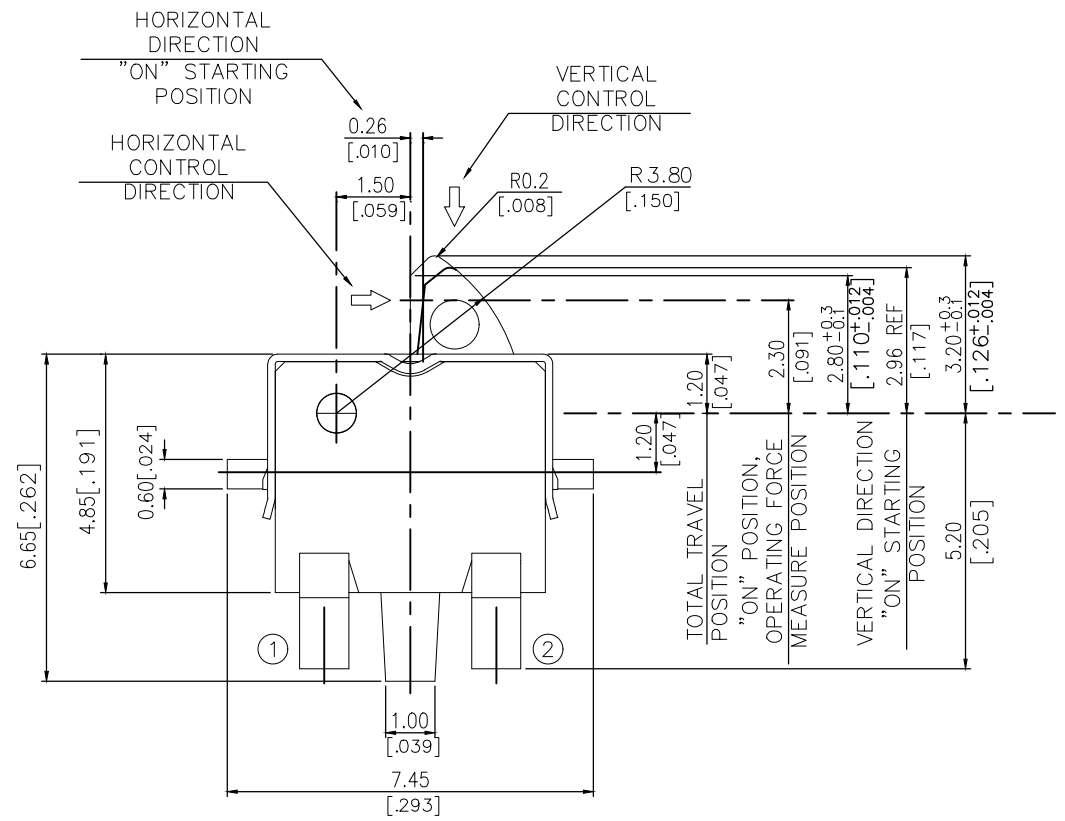
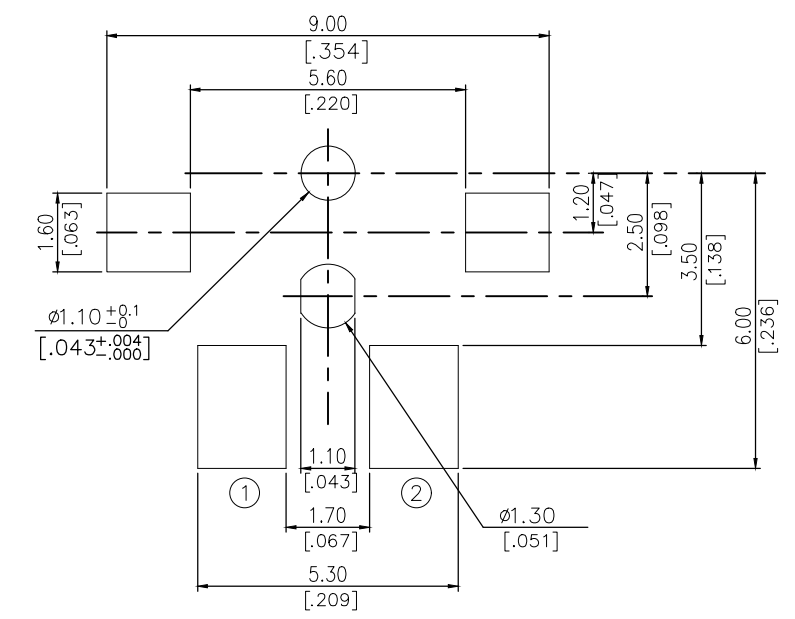
THIS DRAWING IS UNPUBLISHED. RELEASED FOR PUBLICATION
 © COPYRIGHT - TE Connectivity Ltd. ALL RIGHTS RESERVED.

REVISIONS					
P	LTR	DESCRIPTION	DATE	DWN	APVD
1		NEW DRAWING	07MAR2018	GCM	AS

2331406-1
AS SHOWN



P.C.B LAYOUT
(VIEW FROM THE DIRECTION A)



PRELIMINARY

THIS DRAWING IS A CONTROLLED DOCUMENT.		DWN 07MAR2018 GANESH C M					
DIMENSIONS: mm [INCHES]		CHK 07MAR2018 ALEXANDER SHARPE				TE Connectivity Ltd.	
TOLERANCES UNLESS OTHERWISE SPECIFIED:		APVD 07MAR2018 ALEXANDER SHARPE				SWITCH, DETECTOR, JJJ SERIES, 6.0X4.85mm, HOR, SMT, RIGHT, GROUND TERM, POSTS	
0 PLC ± - 1 PLC ± - 2 PLC ± 0.20 [0.008] 3 PLC ± - 4 PLC ± - ANGLES ± -		NAME ALEXANDER SHARPE				-	
MATERIAL		PRODUCT SPEC	SIZE	CAGE CODE	DRAWING NO	RESTRICTED TO	
-		FINISH	A3 00779		C=2331406	-	
CUSTOMER DRAWING			SCALE	SHEET	REV		
			NTS	1 OF 3	1		

THIS DRAWING IS UNPUBLISHED. RELEASED FOR PUBLICATION
 © COPYRIGHT - TE Connectivity Ltd. ALL RIGHTS RESERVED.

REVISIONS					
P	LTR	DESCRIPTION	DATE	DWN	APVD
-	-	SEE SHEET 1	-	-	-

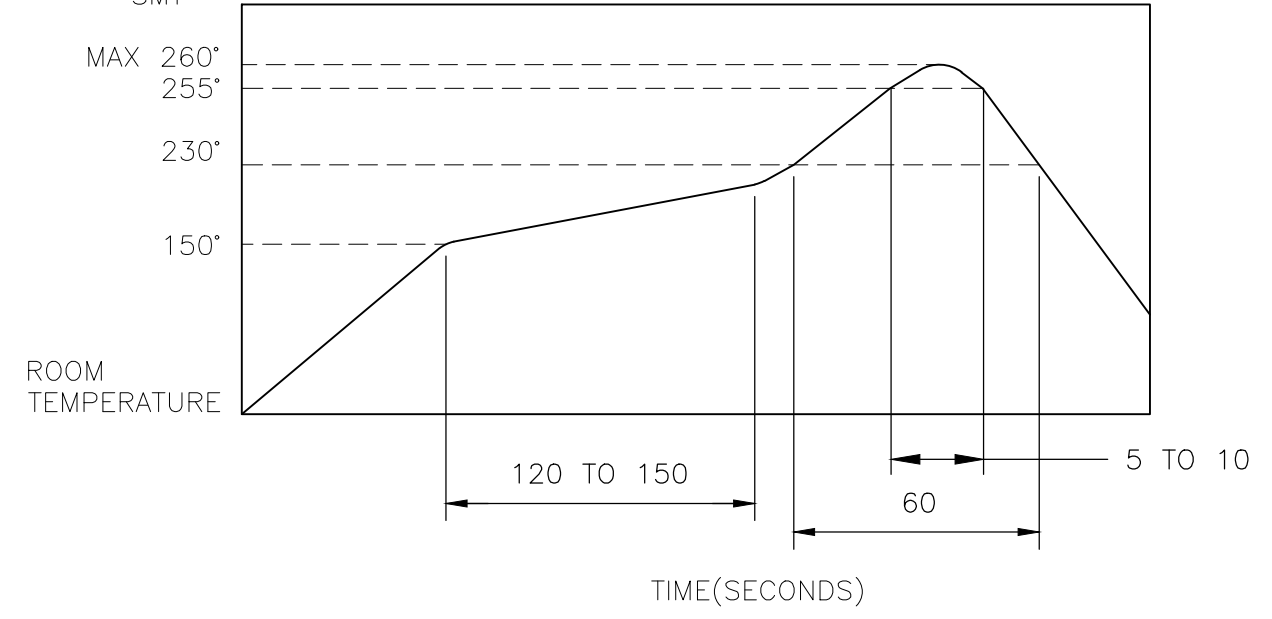
NOTES:

1. MATERIALS
 ACTUATOR: THERMOPLASTIC, UL 94V-0, COLOR BROWN
 BODY: THERMOPLASTIC, UL 94V-0, COLOR BLACK
 COVER: NICKEL SILVER
 TERMINAL: BRASS, SILVER PLATE
 CONTACT: STAINLESS STEEL, SILVER CLAD

2. COMPLIANCE:
 ALL MATERIALS AND FINISHES SHALL COMPLY WITH EU DIRECTIVE 2002/95/EC OF 27JAN2003(RoHS)

3. SPECIFICATIONS:
 RATING: DC 20V, 50mA
 CONTACT RESISTANCE: 1Ω MAXIMUM(INITIAL)
 INSULATION RESISTANCE: 100MΩ MINIMUM AT 100V DC
 DIELECTRIC STRENGTH: 100V AC, 1 MINUTE
 OPERATING LIFE: 100,000 CYCLES WITH LOAD
 TOTAL TRAVEL: 2.0 [.079]
 ACTUATION FORCE: 50gf MAXIMUM
 OPERATING TEMPERATURE: -10°C TO 60° C
 STORAGE TEMPERATURE: -20°C TO 70° C

4. SOLDER CONDITIONS:
SMT



THE CONDITION MENTIONED ABOVE IS THE TEMPERATURE ON THE CU FOIL OF THE PCB SURFACE. THERE ARE CASES WHERE THE BOARD'S TEMPERATURE GREATLY DIFFERS FROM THE SWITCH'S SURFACE. DO NOT ALLOW SWITCH'S SURFACE TEMPERATURE TO EXCEED 260°C

MANUAL SOLDERING

SOLDERING TEMPERATURE	MAX.350°C.
CONTINUOUS SOLDERING TIME	MAX. 5 SECONDS.

PRECAUTIONS IN HANDLING

1. CARE SHOULD BE EXERCISED SO THAT FLUX FROM THE UPPER PART OF THE PRINTED CIRCUIT BOARD DOES NOT ADHERE TO THE SWITCH.

JJHRRGG200NOPMRTR	2331406-1
SMART PART NUMBER	PART NUMBER

PRELIMINARY

THIS DRAWING IS A CONTROLLED DOCUMENT.		DWN	07MAR2018	STE TE Connectivity Ltd.		
DIMENSIONS: mm [INCHES]		CHK	07MAR2018			
TOLERANCES UNLESS OTHERWISE SPECIFIED:		GANESH C M		NAME SWITCH, DETECTOR, JJJ SERIES, 6.0X4.85mm, HOR, SMT, RIGHT, GROUND TERM, POSTS		
0 PLC ± -		ALEXANDER SHARPE				
1 PLC ± -		APVD		SIZE		
2 PLC ± 0.20 [.008]		ALEXANDER SHARPE				
3 PLC ± -		PRODUCT SPEC		DRAWING NO		
4 PLC ± -		APPLICATION SPEC				
ANGLES ± - ± -		WEIGHT		SCALE		
MATERIAL		CUSTOMER DRAWING				
FINISH		A3		REV		
		00779				
		C-2331406		1		
		NTS				

