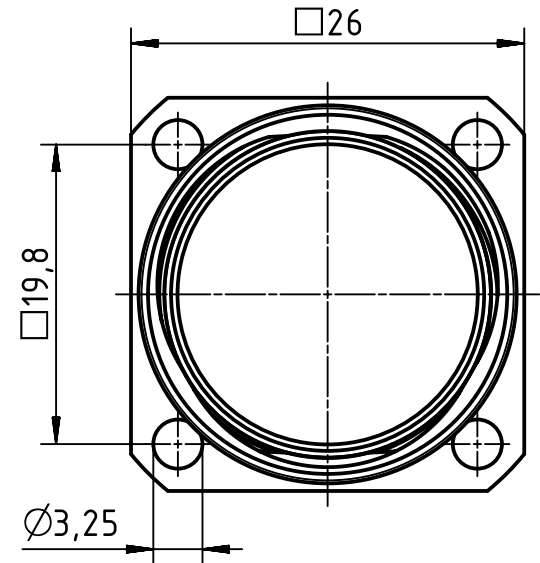
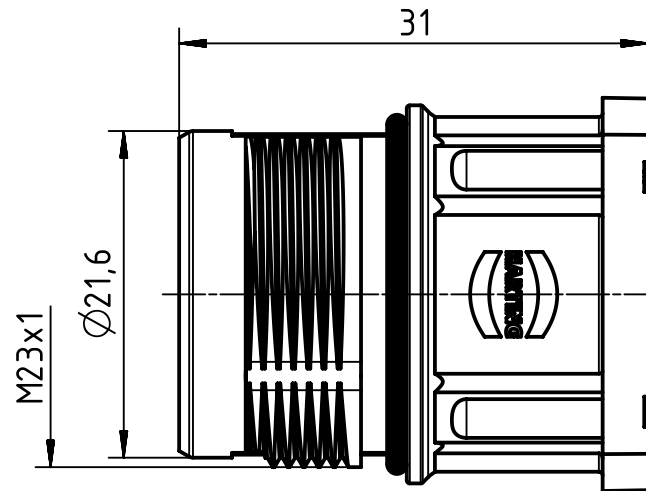
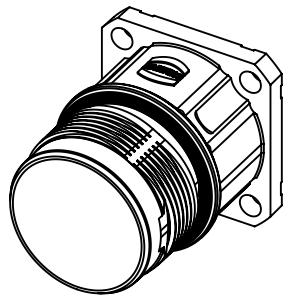
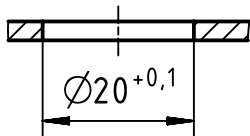
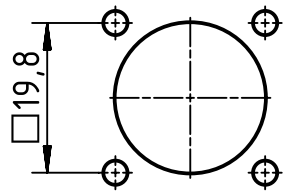


1 2 3 4 5 6

A
B
C
D

panel cut out
(1:1)



	All rights reserved Department EL PD - DE	All Dimensions in mm Original Size DIN A4		Scale 2:1	Free size tol.		Ref.	
		HARTING Electric GmbH & Co. KG D-32339 Espelkamp		Created by HELLMANN	Inspected by RIEPE	Standardisation TIEMANNA	Date 2017-09-12	State Final Release
Title Han M23 P HBM Front 3,2mm			Type TB		Number 09 15 600 0302			Doc-Key / ECM-Nr. 100735145/UGD/000/A 500000124813
							Rev. A	Page 1/1