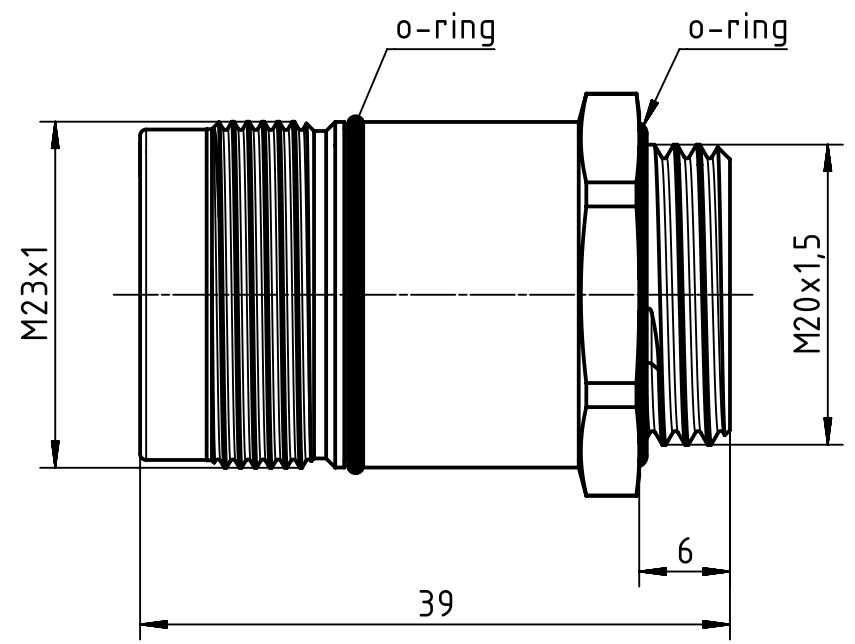
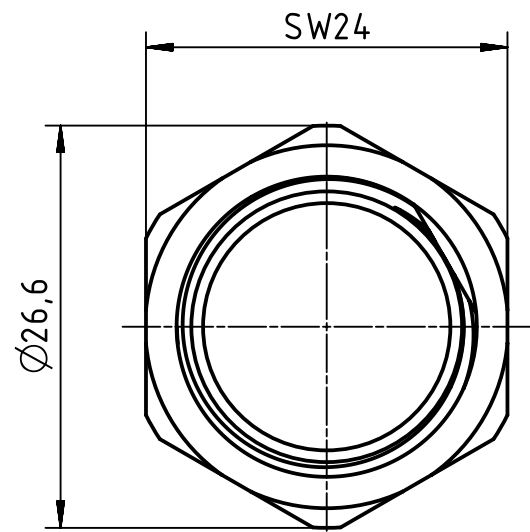
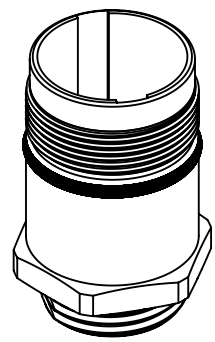
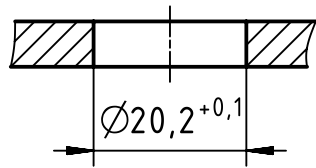
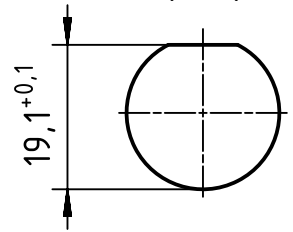


panel cut out  
(1:1)



	All Dimensions in mm Original Size DIN A4		Scale 2:1	Free size tol.		Ref.	
						Sub.	
	All rights reserved Department EL PD - DE		Created by HELLMANN	Inspected by RIEPE	Standardisation TIEMANNA	Date 2017-09-12	State Final Release
	HARTING Electric GmbH & Co. KG D-32339 Espelkamp		Title Han M23 P HBM Front M20x1,5			Doc-Key / ECM-Nr. 100735403/UGD/000/A 500000124813	
			Type TB	Number 09 15 600 0303		Rev. A	Page 1/1