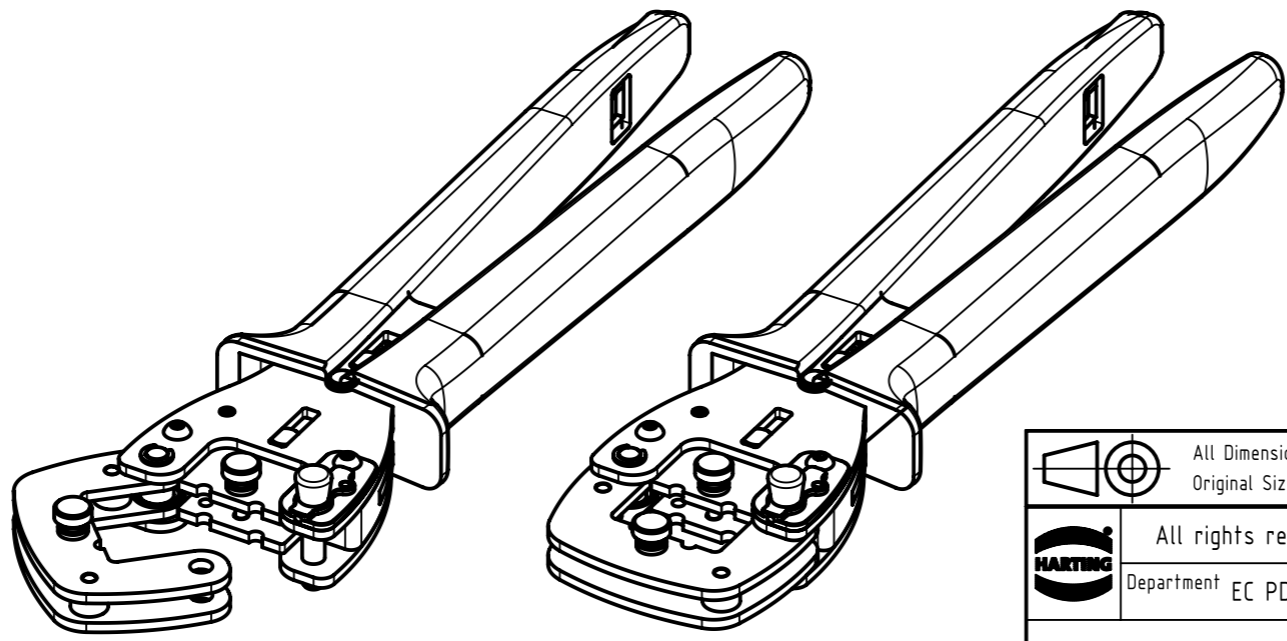


Ausführung:
Workmanship:
 · Leichte Handhabung
Easy handling
 · Schnellwechselsystem
Quick change system
 · Entriegelbare Zwangssperre
Ratchet release
 · Oberfläche brüniert
Burnished surface
 · Ergonomisch geformte Soft-Handgriffe
Ergonomically formed soft-grips
 Farbe: signalgelb (ähnl. RAL 1003)
Colour: yellow (similar RAL 1003)
 · Voll recyclefähig
Fully recyclable
 RoHS-Richtlinie 2011/65/EU konform
RoHS-Directive 2011/65/EU compliant
 · Gewicht: ca. 700 g
Weight: approx. 700 g



	All rights reserved Department EC PD - DE	All Dimensions in mm Original Size DIN A3		Scale 1:1	Free size tol.	Ref. Sub.	
		Created by WAERMKER	Inspected by HAERTLING	Standardisation HOFFMANN	Date 2016-09-16	State Final Release	
HARTING Electronics GmbH D-32339 Espelkamp		Title Crimptool Opening			Doc-Key / ECM-Nr. 100689437/UGD/000/A 500000108651		Rev. A
		Type TB	Number 09990000647			Page 1/1	