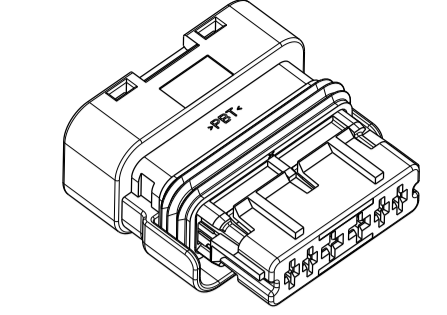
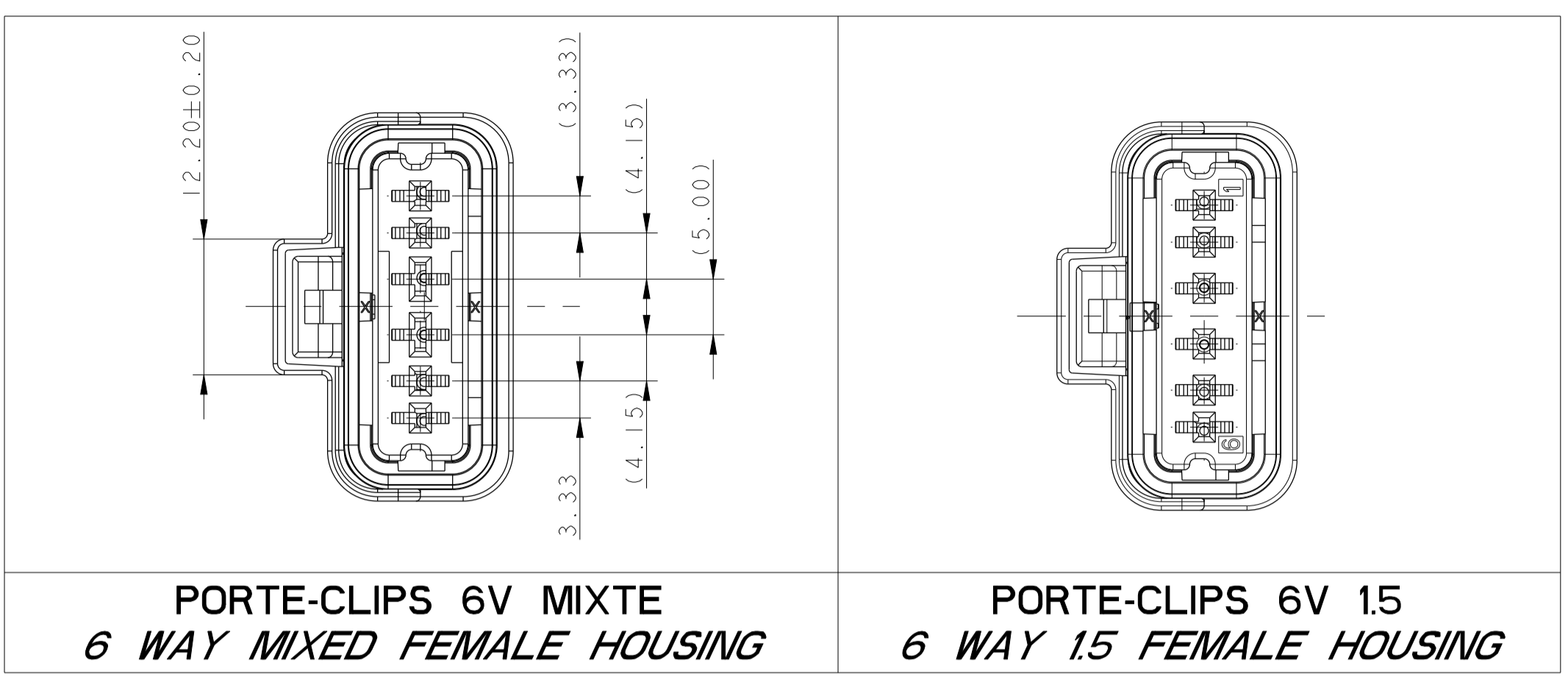


NOTA NOTE	SPECIFICATIONS
1	CONNECTEUR DOIT ETRE CONFORME AU CDC: FEMALE CONNECTOR ACCORDING TO PSA SPECIFICATION: 96 238 404 99
2	CONNECTEUR SUIVANT: FEMALE CONNECTOR ACCORDING TO: -CLASSE DE TEMPERATURE T3 SELON B217050 REV A -TEMPERATURE CLASS T3 ACCORDING TO B217050 REV A -CLASSE DE VIBRATION MOTEUR SELON B217050 REV A -ENGINE VIBRATOR CLASS ACCORDING TO B217050 REV A -CLASSE ETANCHEITE 2 SELON B217050 REV A -SEALING CLASS 2 ACCORDING TO B217050 REV A
3	PRECONISATION D'UTILISATION: USER'S MANUAL: PU 071
4	ALVEOLE SUIVANT: CAVITY ACCORDING TO STE: 96 288 230 99
5	CONNECTEUR ET POSITION ALVEOLE CONFORMES AU PLAN D'INTERFACE: FEMALE CONNECTOR AND CAVITY'S POSITION ACCORDING TO: 211FT0289 ET/AND STE 96 339 622 99
6	CONDUCTEUR SUIVANT / WIRE ACCORDING TO: STE :96 418 794 99
7	CONDITIONNEMENT SUIVANT NORME: PACKAGING ACCORDING TO STANDARD: E73 03 1506
8	DIAMETRE DE FILS / WIRE DIAMETER Ø1.5 MINI=1.40 Ø2.8 MAXI=2.80 Ø2.8 MINI=1.60 Ø2.8 MAXI=3.45
9	MASSE DU PRODUIT LIVRABLE / DELIVERY CONNECTOR WEIGHT: 12g
10	CHARNIERE DE PLAQUETTE ARRIERE ABSENTE OU CASSEE ADMISE NO WAFER HINGE OR WAFER HINGE BROKEN ALLOWED
11	DEFAUTS D'ASPECT SUR ZONES NON FONCTIONNELLES ADMIS VISUAL DEFECTS ON NO FUNCTIONAL AREAS ALLOWED

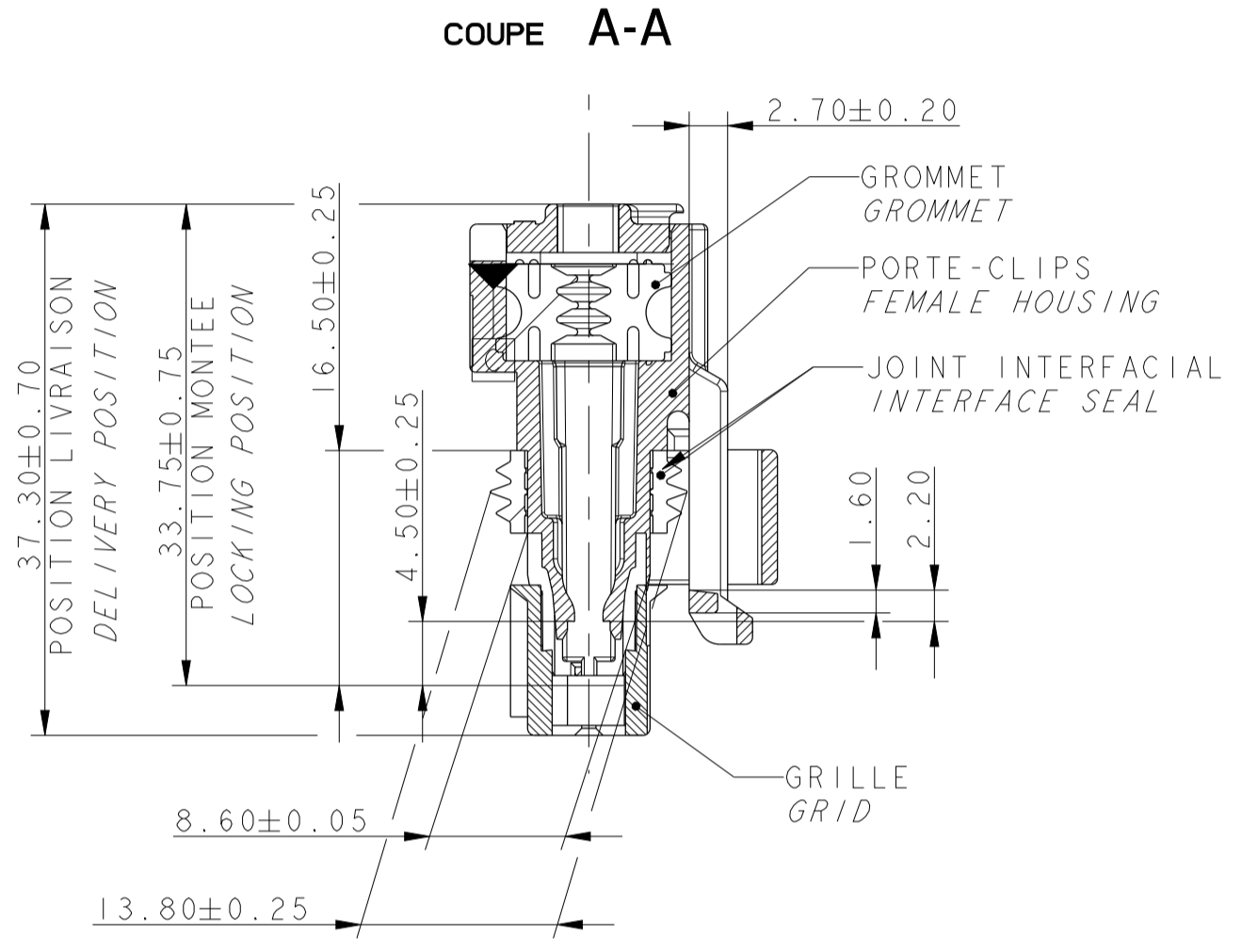
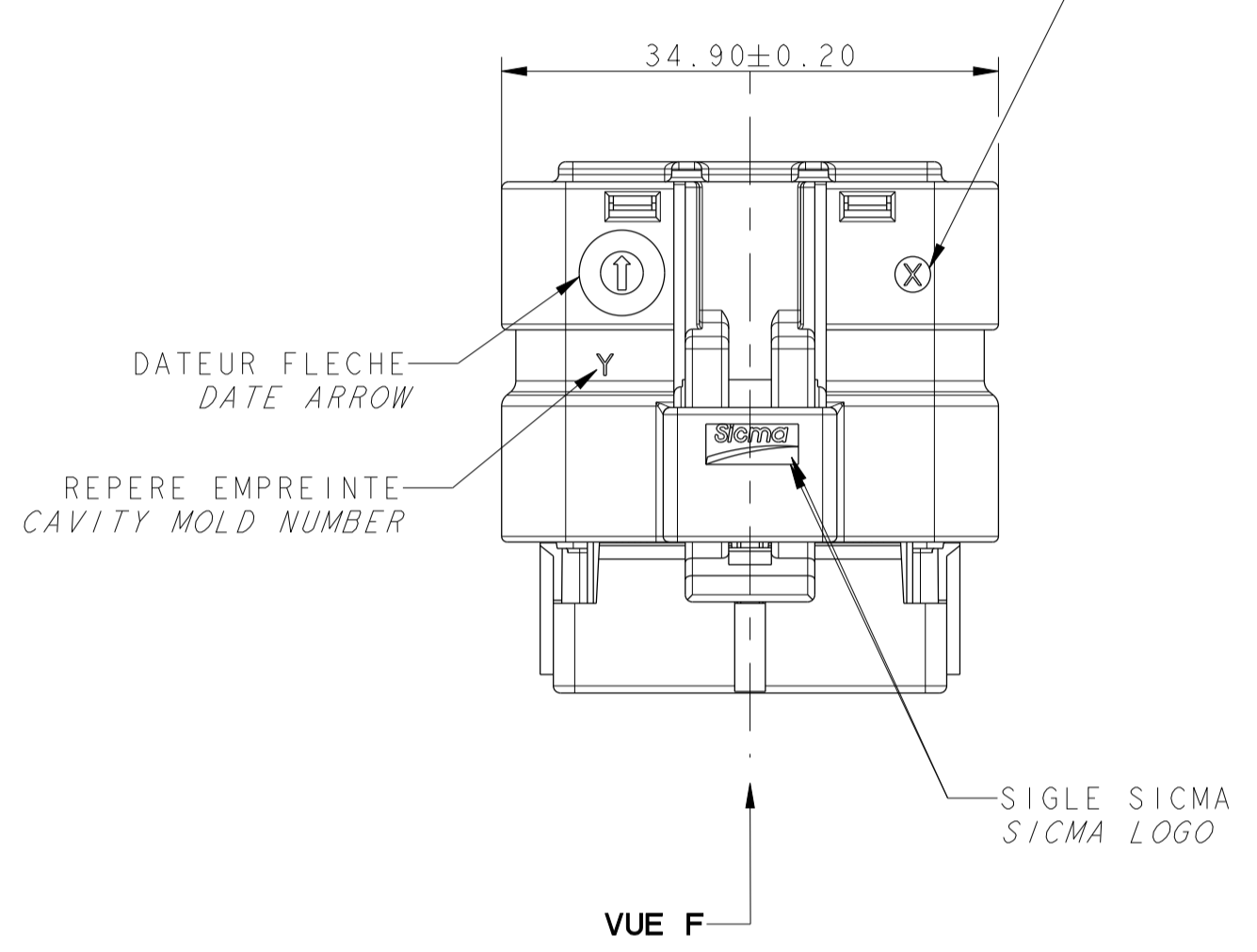
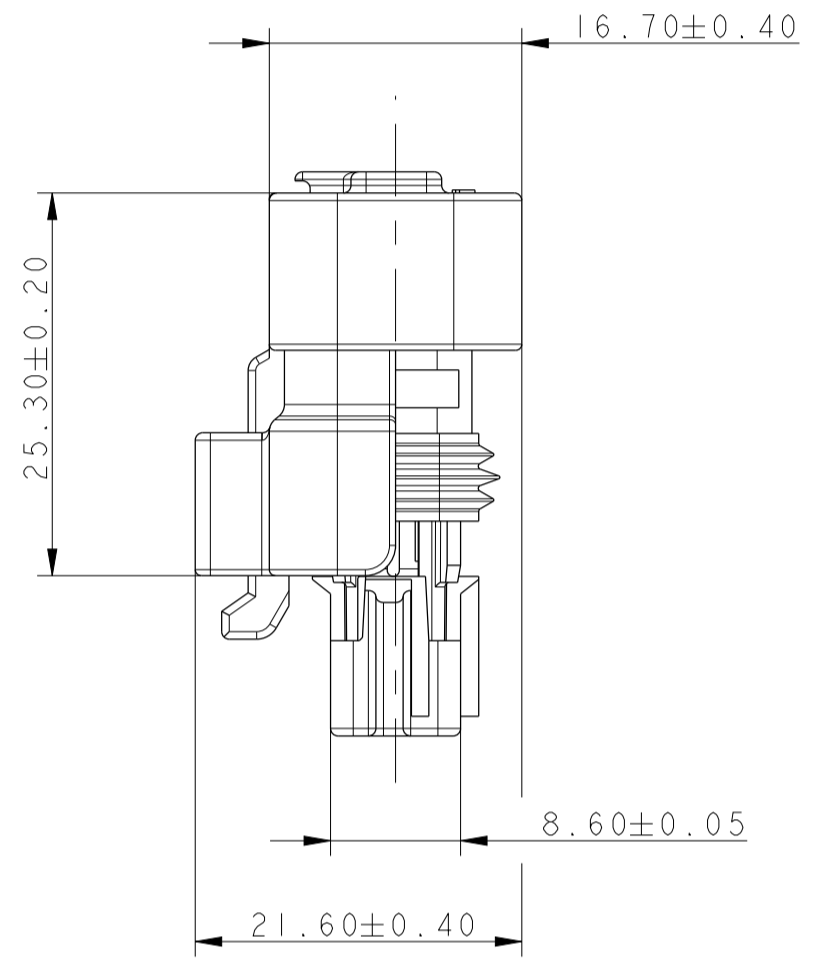
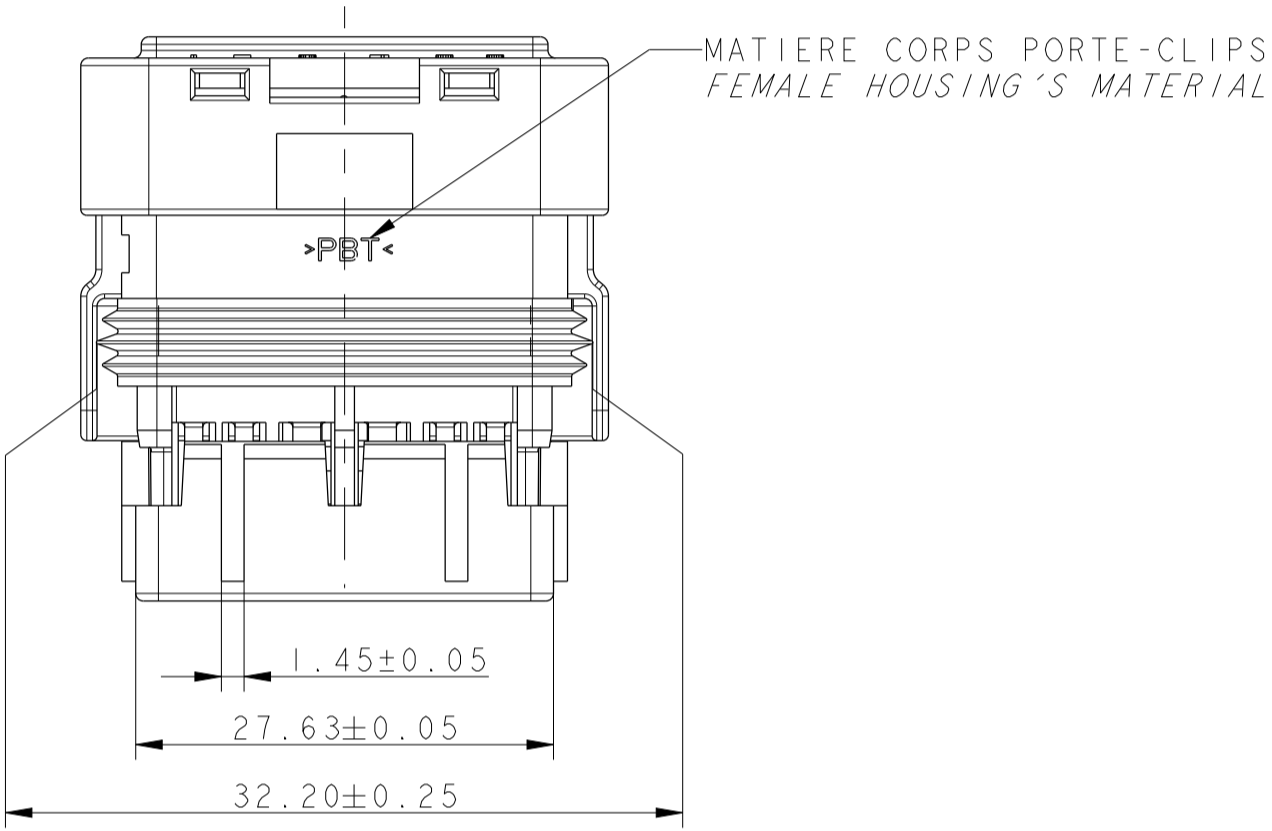


ECHELLE 1:1
SCALE 1:1
CODAGE NOIR REPRESENTE
BLACK CODING REPRESENTED

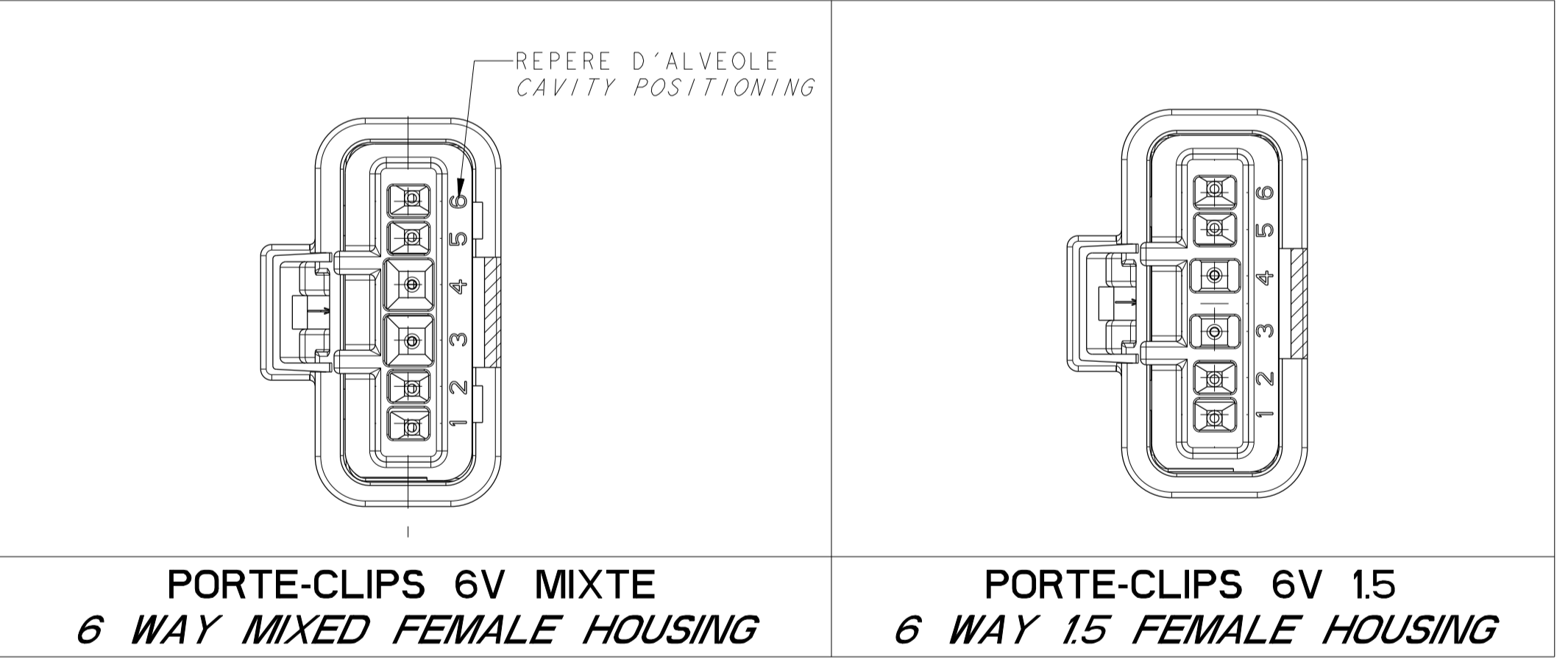


PORTE-CLIPS 6V MIXTE
6 WAY MIXED FEMALE HOUSING

PORTE-CLIPS 6V 15
6 WAY 15 FEMALE HOUSING



PORTE-CLIPS 6V 15 FEMALE HOUSING 6W 15	PORTE-CLIPS FEMALE HOUSING	211 I 8 077	PBT 0% FV PBT 0% GF	GRIS GREY
	GRILLE GRID	211 M 1 125	PBT 15% FV PBT 15% GF	MARRON BROWN
		211 M 4 125		JAUNE YELLOW
		211 M 5 125		VERT GREEN
GROMMET GROMMET	211 M 137	SILICONE 30Sh SILICON 30Sh	BLEU BLUE	
JOINT INTERFACIAL INTERFACE SEAL	211 M 077	SILICONE 30Sh SILICON 30Sh	BLEU BLUE	
PORTE-CLIPS 6V MIXTE FEMALE HOUSING 6W MIXED	PORTE-CLIPS FEMALE HOUSING	211 I 0 075	PBT 0% FV PBT 0% GF	NOIR BLACK
	GRILLE GRID	211 M 0 123	PBT 15% FV PBT 15% GF	NOIR BLACK
		211 M 6 123		BLEU BLUE
		211 M 8 123		GRIS GREY
	GROMMET GROMMET	211 M 110	SILICONE 30Sh SILICON 30Sh	VERT GREEN
JOINT INTERFACIAL INTERFACE SEAL	211 M 077	SILICONE 30Sh SILICON 30Sh	BLEU BLUE	
DESIGNATION DESCRIPTION	REF. ORIGINE LEGACY'S REFERENCE	MATIERE MATERIAL	COULEUR COLOUR	



PORTE-CLIPS 6V MIXTE
6 WAY MIXED FEMALE HOUSING

PORTE-CLIPS 6V 15
6 WAY 15 FEMALE HOUSING

PORTE-CLIPS 6V MIXTE 6 WAY MIXED FEMALE HOUSING			PORTE-CLIPS 6V 15 6 WAY 15 FEMALE HOUSING				
6.65	8.15	12.30	2.50	8.15	6.65	4.00	
12.30	2.50	4.00	10.80	12.30	10.80	12.30	
NOIR BLACK	BLEU BLUE	GRIS GREY	MARRON BROWN	JAUNE YELLOW	VERT GREEN	COULEUR COLOUR	
211 PC 06 9S 0 149	211 PC 06 9S 6 149	211 PC 06 9 S 8 149	211 PC 06 2 S 1 149	211 PC 06 2 S 4 149	211 PC 06 2 S 5 149	PART NUMBER	MVL
A	A	A	A	A	A	PART REVISION	
10866611	10866612	10866614	10865112	10866616	10866615	PART NUMBER	DELPHI
01	01	01	01	01	01	PART REVISION	

ECN-NO. NUMERO ECN	POSITION POSITION	CHANGE DESCRIPTION MODIFICATION
		DELPHI P/N ADDED
PROJECT SPEC. SPECIFIC PRODUCT	PACKAGING SPEC. SPECIFIC LABELING	APPLICATION SPEC. SPECIFIC APPLICATION
<p>DO NOT REPRODUCE OR DRAWING NE PAS REPRODUIRE NI COPIER</p> <p>TOLERANCES TOLERANCES</p> <p>CONVERSION N° CONVERSION N°</p> <p>DATE</p> <p>APP. PAR</p> <p>FILE NAME</p>		
<p>DELPHI CORPORATION AND/OR ITS AFFILIATES. ALL RIGHTS RESERVED. REVISED DELPHI PACKARD ELECTRICAL/ELECTRONIC ARCHITECTURE EPT/ENR, FRANCE</p> <p>DELPHI CORPORATION AND/OR ITS AFFILIATES. ALL RIGHTS RESERVED. REVISED DELPHI PACKARD ELECTRICAL/ELECTRONIC ARCHITECTURE EPT/ENR, FRANCE</p>		
<p>6-WAY HYBRID FEMALE CONNECTOR</p> <p>MINI SEALED 'NM' FEMALE CONNECTOR</p> <p>211FT0515</p> <p>211FT0515</p>		
<p>DELPHI</p> <p>211FT0515</p> <p>Serial Released</p>		