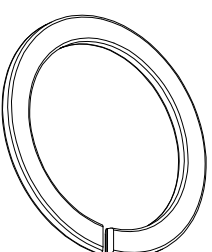
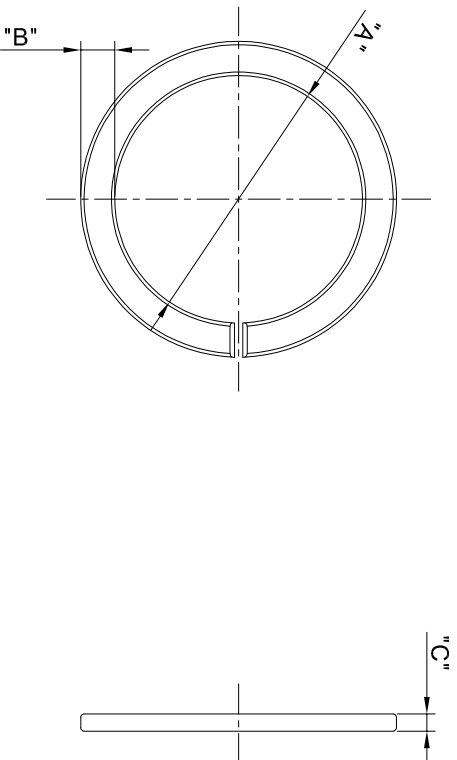


| REVISIONS | | | | |
|-----------|-----|--------------------|-------------|-------------|
| REV | ECO | DESCRIPTION | DATE | BY APPR |
| A1 | | FIRST RELEASED | Apr.05.2016 | Drack Tommy |
| A2 | | UPDATE THE NOTES | Jul.20.2016 | Drack Tommy |
| A3 | | ADD 16# & 18# PART | Nov.22.2017 | Nick Tommy |



| SHELL | P/N | DIM A | DIM B | DIM C |
|-------|-----------|-------|-------|-------|
| 8# | RTS8CCRX | Ø11.2 | 2.0 | 1.0 |
| 10# | RTS10CCRX | Ø14.5 | 2.0 | 1.0 |
| 12# | RTS12CCRX | Ø18.5 | 1.9 | 1.2 |
| 14# | RTS14CCRX | Ø21.7 | 1.9 | 1.8 |
| 16# | RTS16CCRX | Ø24.2 | 1.9 | 1.0 |
| 18# | RTS18CCRX | Ø27.6 | 1.9 | 1.0 |

"X" DENOTE COLOR:
 WHEN "X"="G", GREEN, PANTONE 348C.
 WHEN "X"="R", RED, PANTONE 194C.
 WHEN "X"="Y", YELLOW, PANTONE 123C.

NOTES : (UNLESS OTHERWISE SPECIFIED)
 1. MATERIAL : THERMOPLASTIC , UI94 V-0.

2. SPECIFICATIONS :
 2.1. OPERATING TEMPERATURE : -40°C ~ 125°C.
 2.2. ROHS COMPLIANT.

3. ALL DIMENSIONS ARE FOR REFERENCE USE ONLY.

| QUANTITY | PART NUMBER | DESCRIPTION | ITEM |
|-----------------------|-------------|-------------|------|
| MATERIALS LIST | | | |

| | | | |
|--|-----------------|-----------|--|
| UNLESS OTHERWISE SPECIFIED 1) All dimensions are in millimeters. 2) Tolerances are as follows: 1 Pt. DEC 40.30 Fractions .1"=14 3 Pt. DEC 40.08 Angles .1° | SIGNATURES | DATE | <p style="text-align: center;">Amphenol</p> <p>Sine Systems - www.amphenol-sine.com 44724 Morley Drive Clinton Township, MI 48036</p> |
| 3) Note reference = | DRAWN: Nick | Nov/22/07 | |
| | CREATED: Tod | Nov/22/07 | |
| MATERIAL SPECIFICATIONS: | ENGINEER: Tommy | Nov/22/07 | |
| PROCESS SPECIFICATIONS: | APPROVAL: Tommy | Nov/22/07 | |
| NEXT ASST: | CUSTOMER: | | |

| | | | |
|--|---------|----------|------------------|
| THIS DRAWING IS SUPPLEMENTARY TO THE AMPHENOL SPECIFICATIONS AND PERFORMANCE DATA. THE AMPHENOL CORPORATION DOES NOT WARRANT THE ACCURACY OF REPRODUCTION HEREIN. ALL DIMENSIONS ARE IN MILLIMETERS UNLESS OTHERWISE SPECIFIED. MANUFACTURING VARIATIONS NORMAL. | | | |
| SCALE: NONE | SIZE: B | TYPE: C- | DWG NO: RTSXCCRX |
| | | | REVISION: A3 |

FILE:ECO-MATE_IDENTIFY_RING_SIZE_08,10,12,14,16,18

DWG NO: RTSXCCRX

REV: A3

SH: 1

OF: 1