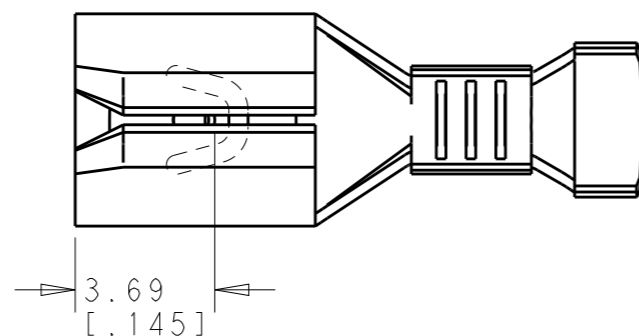
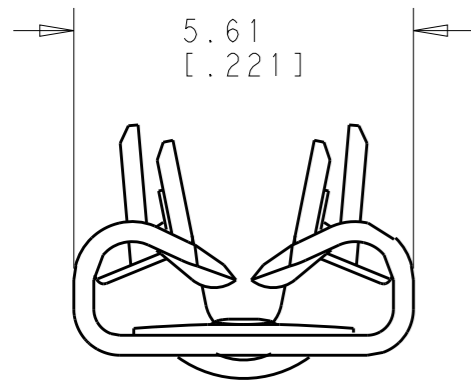


REVISIONS

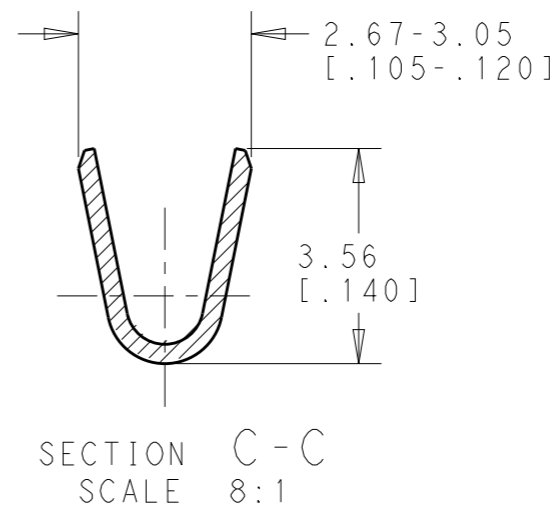
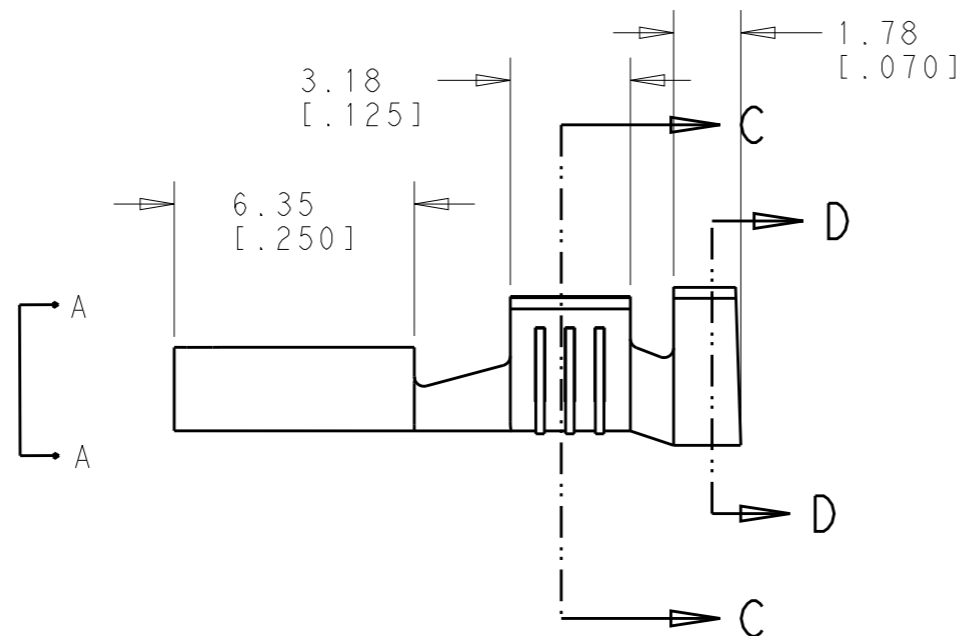
P	LTR	DESCRIPTION	DATE	DWN	APVD
	A1	REVISED PER ECO-18-002715	21FEB2018	RS	DH



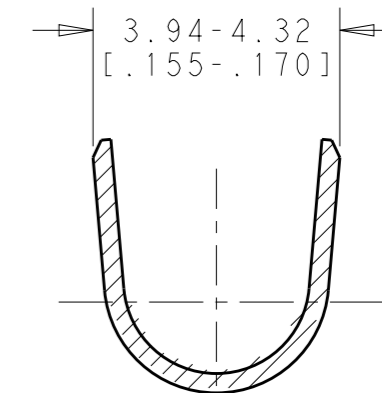
- 1 CONTINUOUS STRIP ON REELS.
- 2 WIRE SIZE #20-#16 AWG
- 3 INSULATION RANGE 2.29-3.30 [.090-.130] DIA
- 4 MATING TAB THK 0.81±0.025 [.032±.001]
- △5 UL APPROVAL FOR AWG 20-16
- △6 UL APPROVAL PENDING FOR AWG 20-16



VIEW A-A
SCALE 8:1



SECTION C-C
SCALE 8:1



SECTION D-D
SCALE 8:1

TIN	BRASS	2238198-3
FINISH	MATERIAL	PART NO.

THIS DRAWING IS A CONTROLLED DOCUMENT.		DWN 05JAN2018 BASVESH WARAD	STE TE Connectivity	
DIMENSIONS: mm [INCHES]		CHK 05JAN2018 HUMPHREY, DAVID		
TOLERANCES UNLESS OTHERWISE SPECIFIED:		APVD 05JAN2018 HUMPHREY, DAVID	NAME FASTON 187 STD REC F-CR 20-16 TPBR	
0 PLC ±-		PRODUCT SPEC	-	
1 PLC ±-		APPLICATION SPEC	-	
2 PLC ±0.25 [.010]		WEIGHT	-	
3 PLC ±-		CUSTOMER DRAWING	SIZE A3	CAGE CODE 00779
4 PLC ±-		FINISH SEE TABLE	DRAWING NO C-2238198	RESTRICTED TO
ANGLES ±5°			SCALE 5:1	SHEET 1 OF 1
MATERIAL SEE TABLE				REV A1