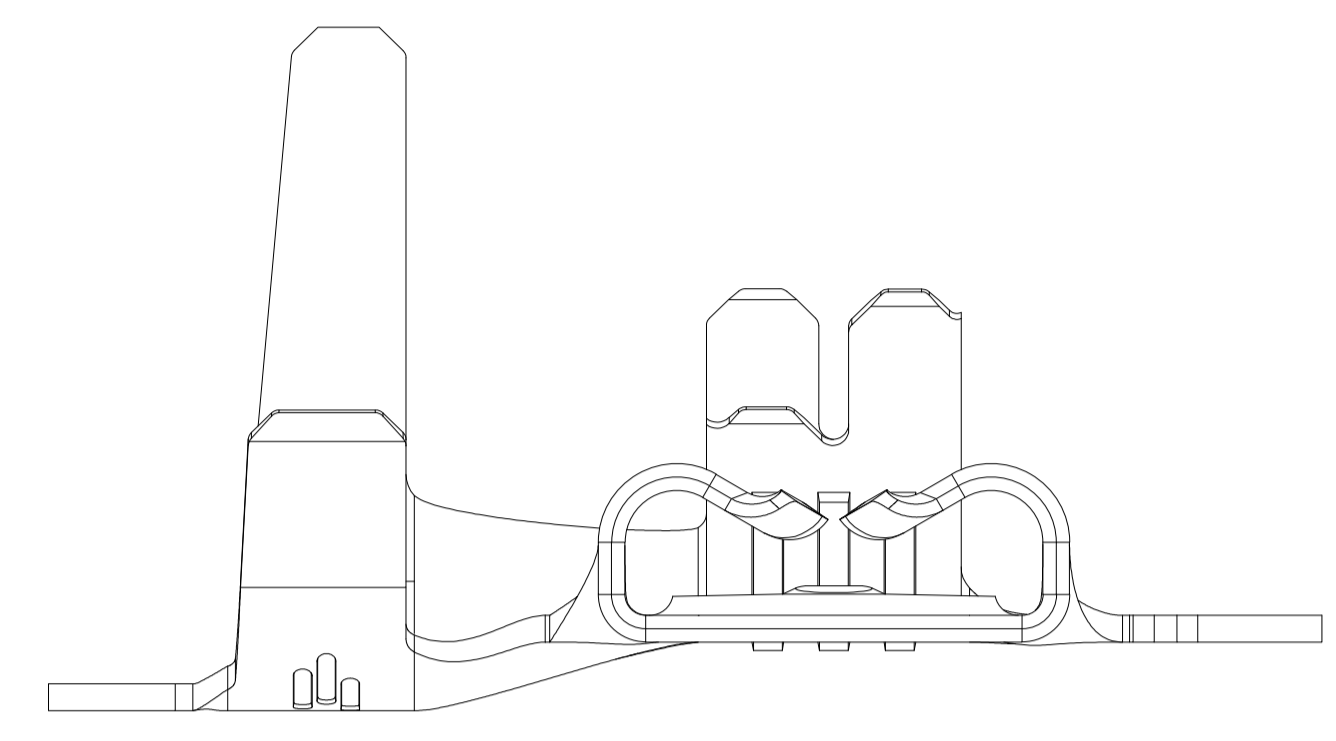
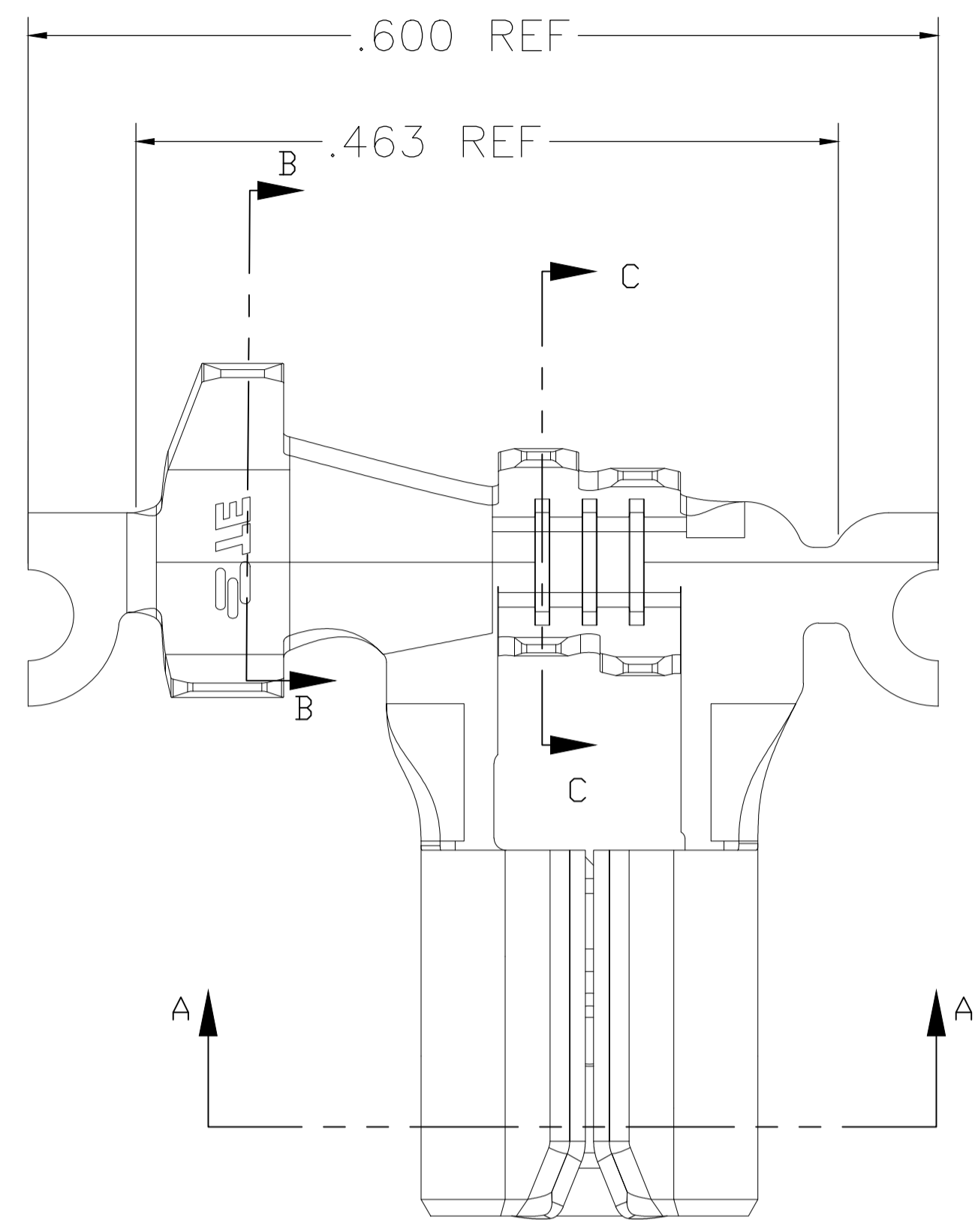
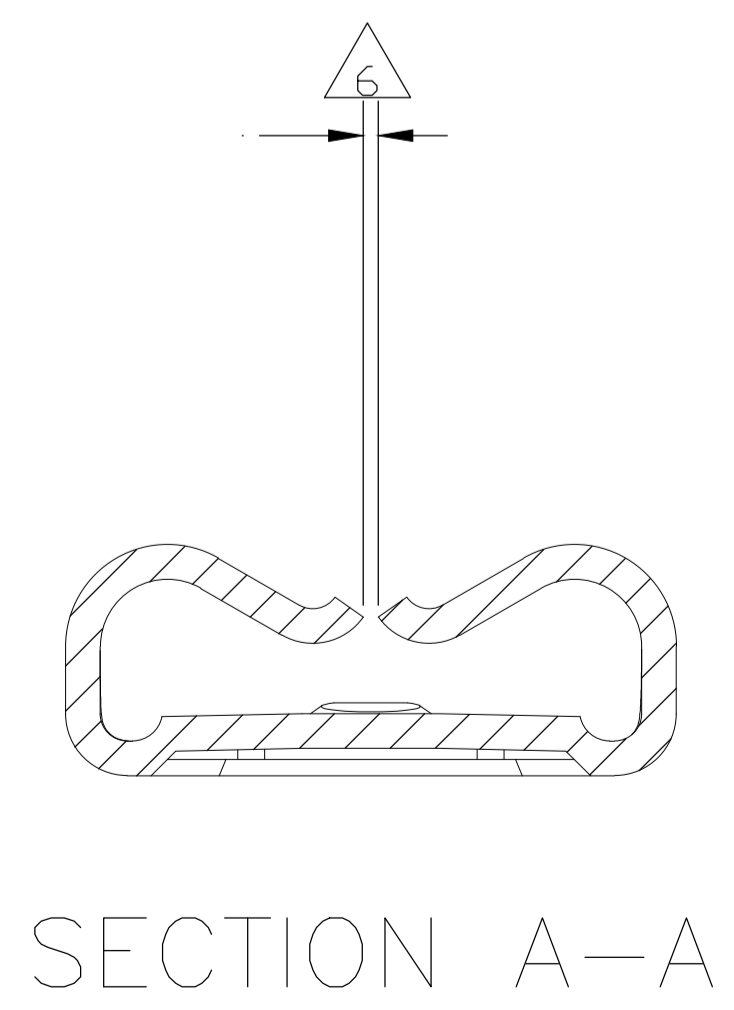
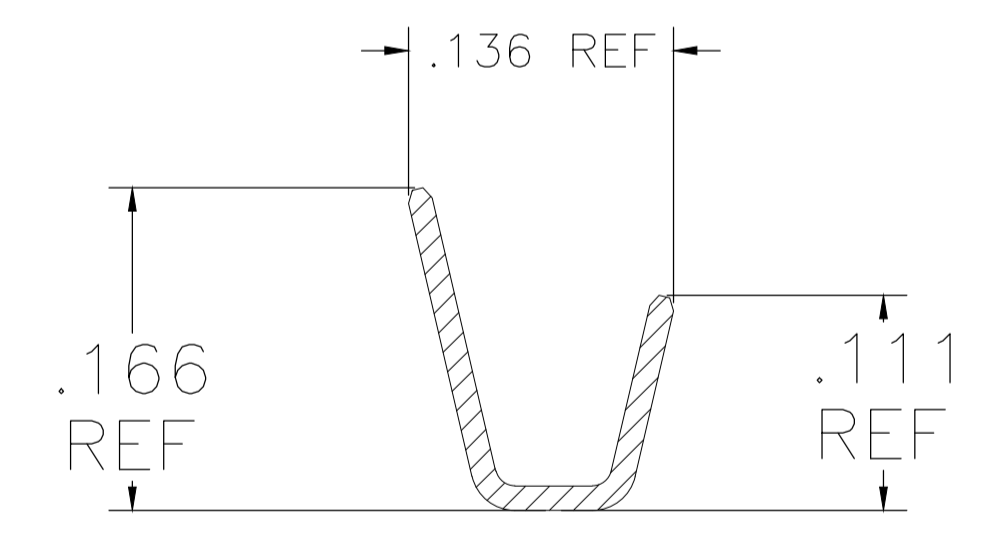
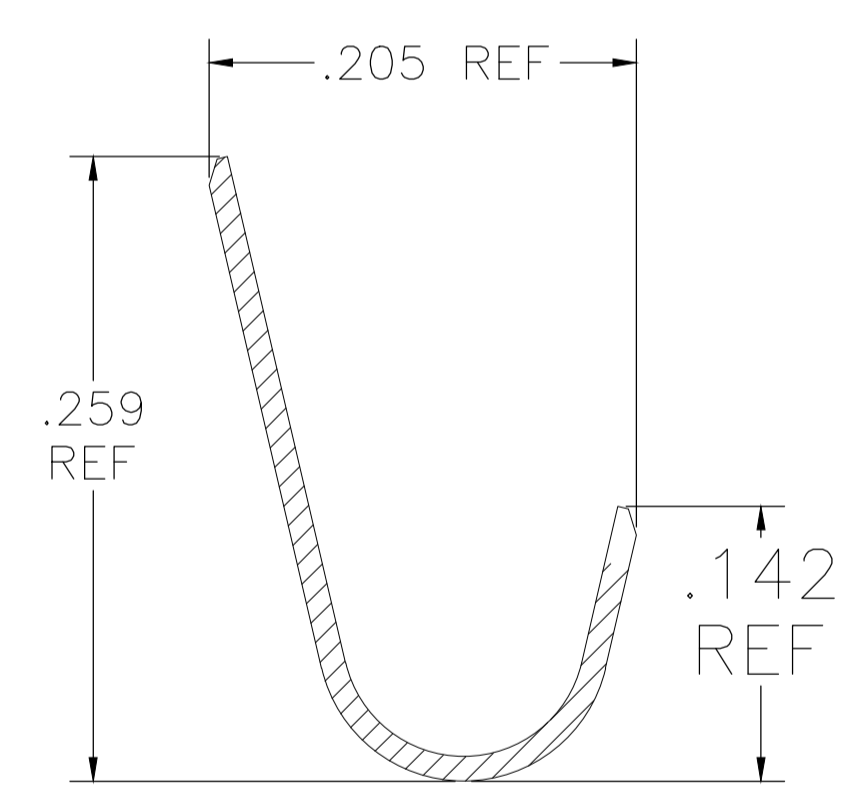
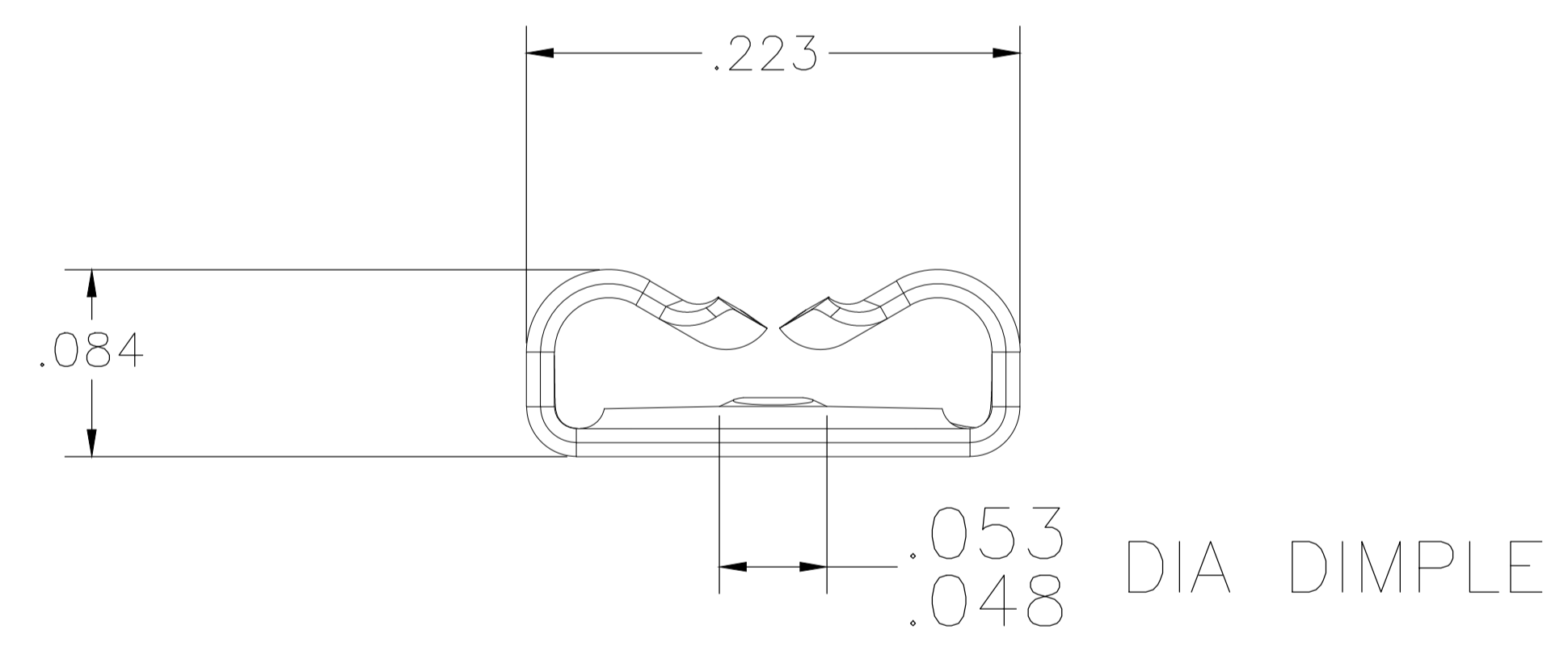


REVISIONS					
REV	DATE	DESCRIPTION	BY	CHK	APPV
A1	06SEP2018	REVISED PER ECR-18-013271	BDA	DH	



- 1 CONTINUOUS STRIP ON REELS.
- 2 WIRE SIZE IS 24-14 AWG
- 3 INSULATION RANGE IS [.067 - .149]
- 4 MATING TAB THK IS .032 ± .001
- 5 NOTE NOT USED
- 6 CONTACT ROLLS TO NOT TOUCH EACH OTHER.



OBSOLETE/SUPERSEDED BY 2238172-3	TIN PLATED	BRASS	2238172-3
	FINISH	MATERIAL	PART NUMBER
THIS DRAWING IS A CONTROLLED DOCUMENT. DIMENSIONS: INCHES TOLERANCES UNLESS OTHERWISE SPECIFIED: 0. PLC ± - 1. PLC ± - 2. PLC ± - 3. PLC ± .01 4. PLC ± - ANGLES ± 1°		DIVYA SHUKLA 29DEC2016 DAVID HUMPHREY 29DEC2016 TIM DING 29DEC2016 NAME: FASTON .187 STD. REC. 2D FLG AWG 24-14 TPBR APPLICATION SPEC: - SIZE: A1 CAGE CODE: 00779 DRAWING NO: 2238172 WEIGHT: - CUSTOMER DRAWING	
MATERIAL: - FINISH: -		SCALE: 10:1 SHEET: 1 OF 1 REV: A1	