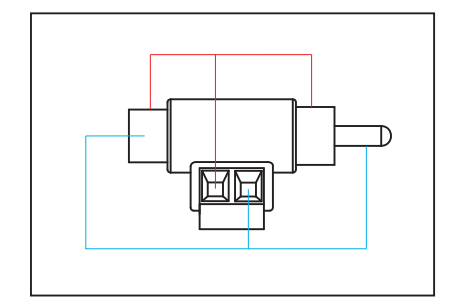
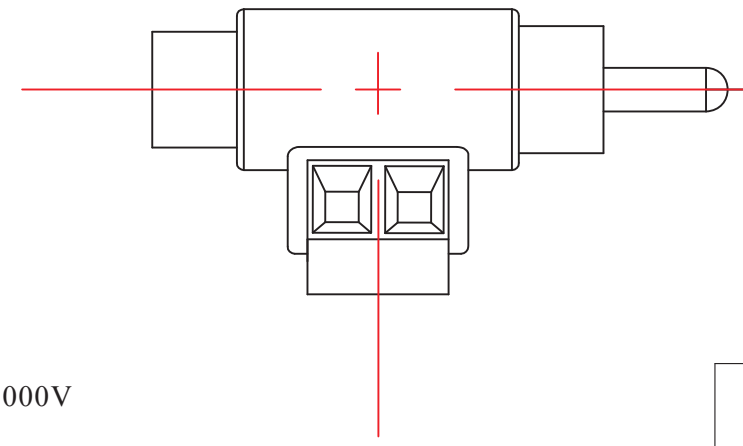
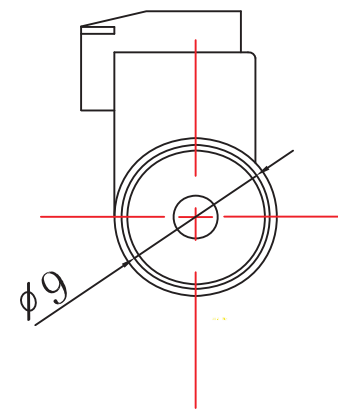
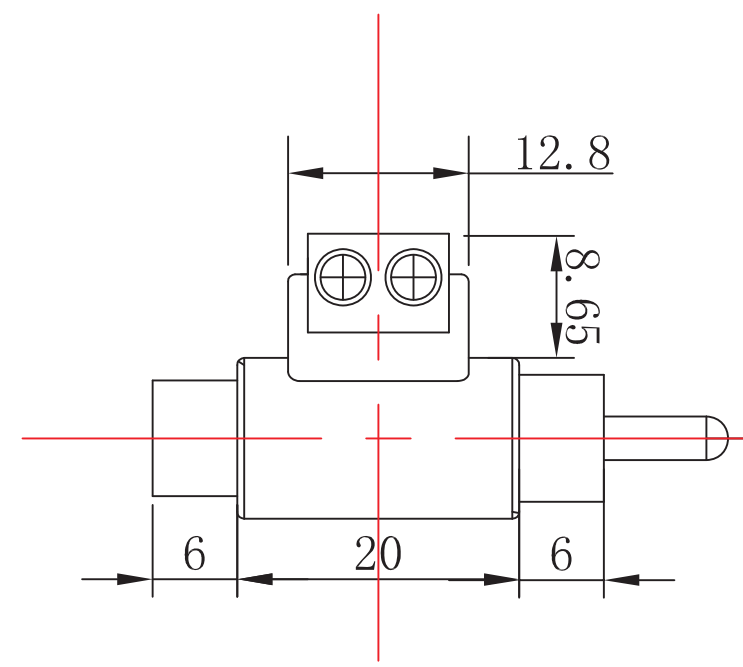
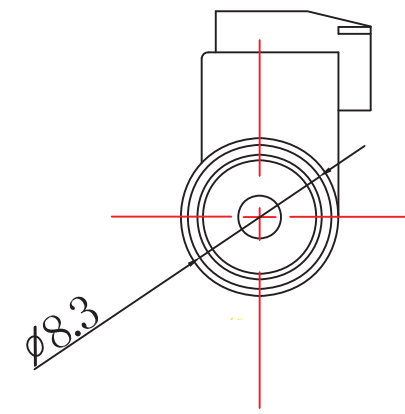
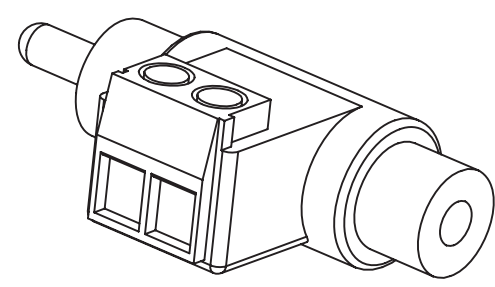

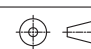


SIGN	DESCRIPTION	DATE	APPROVER
△	---		
△			



Technical Data:

- Electrical:**
Voltage rating: 12VDC
Current rating: 5A
Contact resistance: 20mΩ
Insulation resistance: 5000MΩ / 1000V
Wire range: 26-12AWG
- Mechanical:**
Torque: 0.5Nm (4.4lb/in)
Operating temperature: -40°C to 105°C
Strip length: 7mm

		Concept Design Manufacture		<small>CIE-Group Ltd 3 Widdowson Close Blenheim Ind Est Bulwell Nottingham NG6 8WB England T: +44(0)115 9770075 F: +44(0)115 9770081 E: info@cie-group.com W: www.cie-group.com</small>	
		TOLERANCE X ±0.50 .X ±0.30 X.XX ±0.20 X° ±1°		NAME: RCA Male/Female Terminal Adapter	
APPROVED: RIKKI CHECKED: CAMILY DRAWN: SHERMAN		UNIT: mm SCALE: 4/1		REV.: A PAGE: 1/1	
		PART NO: CLB-JL-8106		DWG NO.:	