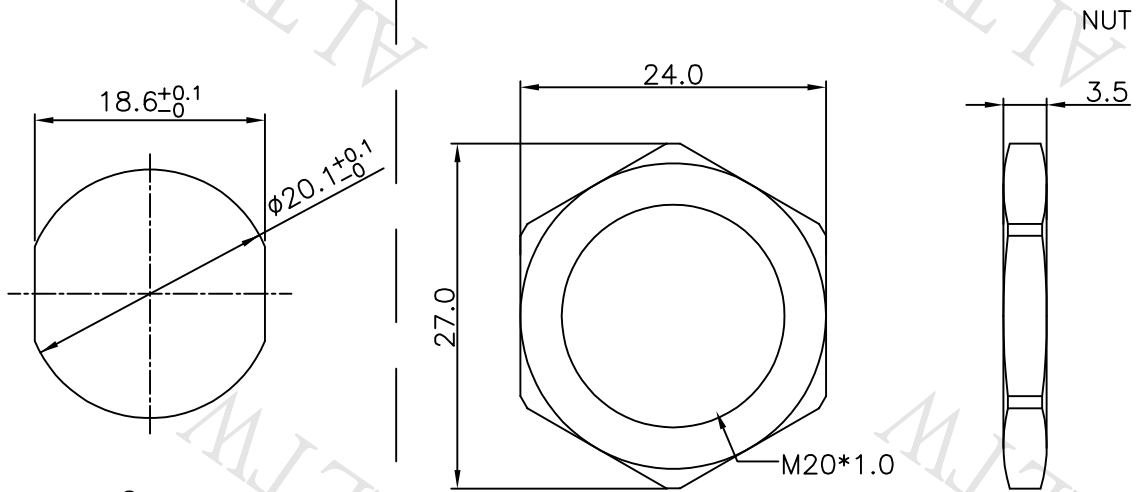
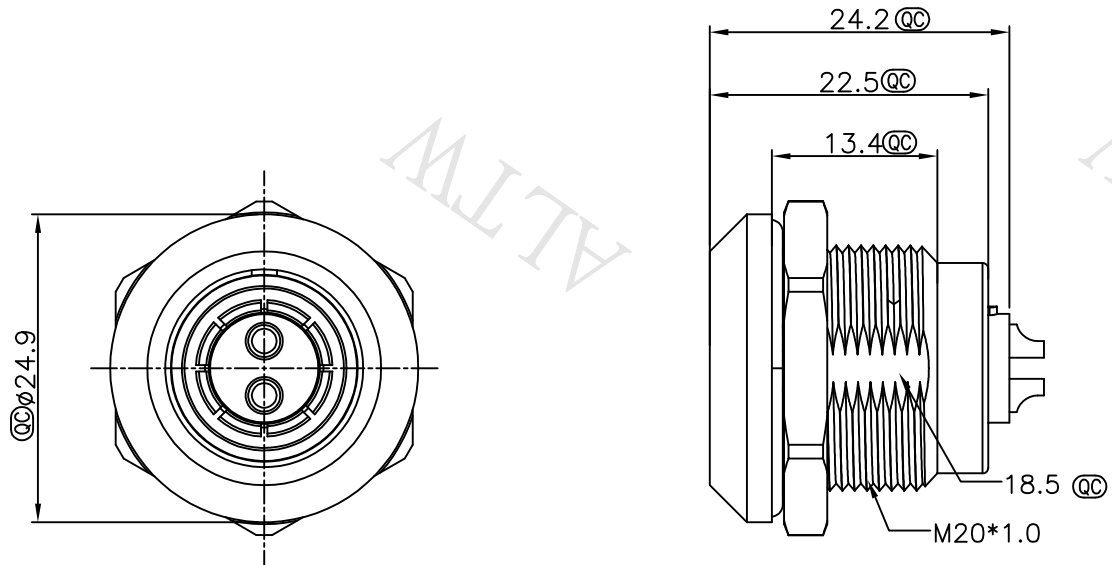


REV.	DESCRIPTION
01	New Initial.



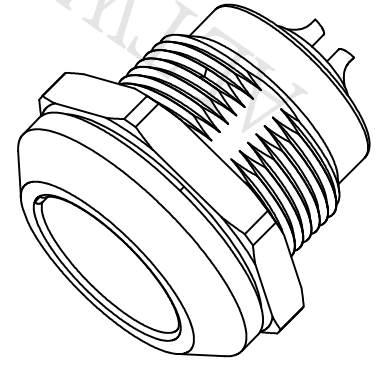
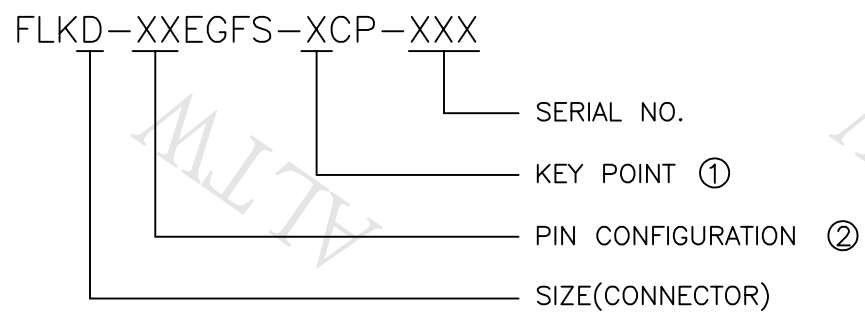
Conn.  
Pin Assignments  
Front View

- Notes:
- \*  $\textcircled{C}$  Important Dimensions To Check.
  - \* Waterproof Rate: IP68(Mated)
  - \* Female Pin: Copper Alloy, Gold Plated.
  - \* Use Panel Thickness Max: 8.0mm

UNIT:mm 	TITLE FLO 2K PANEL CONNECTOR		<b>Amphenol LTW</b> 安費諾亮泰企業股份有限公司	ITEM NO FLKD-XXEGFS-XCP-XXX	DRAWN BY Ouyang	DATE 2018/09/05
	TOLERANCE $\pm 0.5\text{MM}$	SCALE Free		SHEET 1 OF 2	DWG NO FLKD-XXEGFS-XCP-XXX	CHECKED BY Mafei
REV. 01	SIZE A4	$\textcircled{C}$ : Inspection Item	CUSTOMER ALTW	APPROVED BY Jerry	DATE 2018/09/05	

THIS DOCUMENT IS SUBJECT TO CHANGE WITHOUT NOTICE. IT IS CONFIDENTIAL AND A PROPERTY OF Amphenol LTW. DISCLOSURE TO THIRD PARTY HAS TO BE AUTHORIZED BY Amphenol LTW.

THIS DOCUMENT IS SUBJECT TO CHANGE WITHOUT NOTICE. IT IS CONFIDENTIAL AND A PROPERTY OF Amphenol LTW. DISCLOSURE TO THIRD PARTY HAS TO BE AUTHORIZED BY Amphenol LTW.



KEY POINT					
CODE ①	G	A	B	C	D
GRAPHIC	0°	30°	45°	60°	95°

PIN CONFIGURATION (Solder Definition)②							
GRAPHIC							
	2 PIN	3 PIN	4 PIN	5 PIN	6 PIN	7 PIN	
	8 PIN	10 PIN	12 PIN	14 PIN	16 PIN	18 PIN	19 PIN

UNIT:mm TOLERANCE ±0.5MM	TITLE FLO 2K PANEL CONNECTOR		<b>Amphenol LTW</b> 安費諾亮泰企業股份有限公司	ITEM NO FLKD-XXEGFS-XCP-XXX	DRAWN BY Ouyang	DATE 2018/09/05
	SCALE Free	SHEET 2 OF 2		DWG NO FLKD-XXEGFS-XCP-XXX	CHECKED BY Mafei	DATE 2018/09/05
	REV. 01	SIZE A4		© : Inspection Item	CUSTOMER ALTW	APPROVED BY Jerry