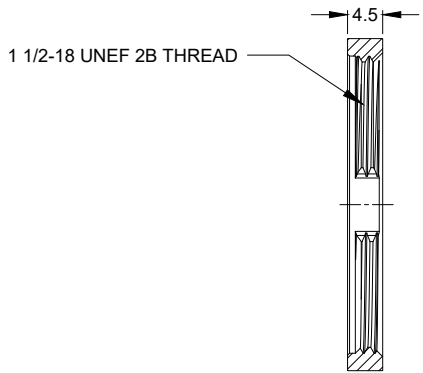
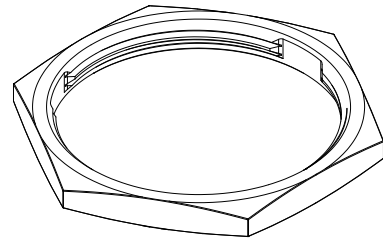
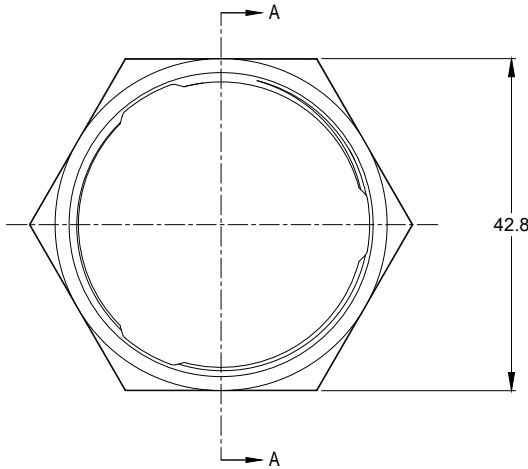


| REVISIONS | | | | | |
|-----------|-----|---------------------|-----------|--------|-------|
| REV | ECO | DESCRIPTION | DATE | BY | APPR |
| A1 | -- | RELEASE NEW DRAWING | 26/SEP/18 | ROOKIE | TOMMY |



SECTION A-A



NOTES: UNLESS OTHERWISE SPECIFIED

1. MATERIAL: ALUMINIUM ALLOY, NICKEL PLATED.
2. USE WITH AHDM SERIES SIZE 18 RECEPTACLE.
3. RoHS COMPLIANT.
4. ALL DIMENSIONS ARE FOR REFERENCE USE ONLY.

TITLE: NUT, AHDM SERIES, SIZE 18
 DWG NO: A114020-90
 REV: A1
 SH: 1
 OF: 1

| | | | | | | |
|---|--|-------------|--|--------------|--|--|
| A114020-90 | | PART NUMBER | | DESCRIPTION | | ITEM |
| QUANTITY | | | | | | |
| MATERIALS LIST | | | | | | |
| UNLESS OTHERWISE SPECIFIED 1) All dimensions are in metric(mm). 2) Tolerances are as follows: 1 PL DEC ±0.30 Fractions ±1/64 2 PL DEC ±0.15 Angles ±1° 3 PL DEC ±0.08 3) Note reference = | | SIGNATURES | | DATE | | Sine Systems - www.amphenol-sine.com 44724 Morley Drive Clinton Township, MI 48036 NUT, AHDM SERIES, SIZE 18 |
| DRAWN: | | ROOKIE | | 26/SEP/18 | | |
| CHECKED: | | ORION | | 26/SEP/18 | | |
| ENGINEER: | | | | | | |
| APPROVAL: | | TOMMY | | 26/SEP/18 | | THIS DRAWING IS SUPPLIED FOR INFORMATION ONLY. DESIGN FEATURES, SPECIFICATIONS AND PERFORMANCE DATA SHOWN HEREON ARE THE PROPERTY OF THE AMPHENOL CORPORATION. NO RIGHTS OF REPRODUCTION ARE IMPLIED. ALL DIMENSIONS ARE SUBJECT TO NORMAL MANUFACTURING VARIATIONS. |
| MATERIAL SPECIFICATIONS: | | | | CUSTOMER: | | |
| PROCESS SPECIFICATIONS: | | | | | | |
| NEXT ASSY: | | | | SCALE: NONE | | SIZE: B C- DWG NO: A114020-90 REVISION: A1 |
| | | | | SHEET 1 OF 1 | | |