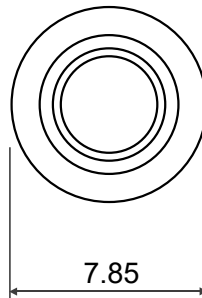
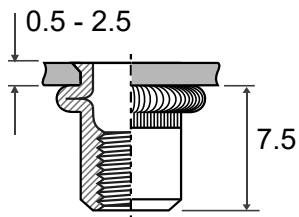


7.2 - 7.33



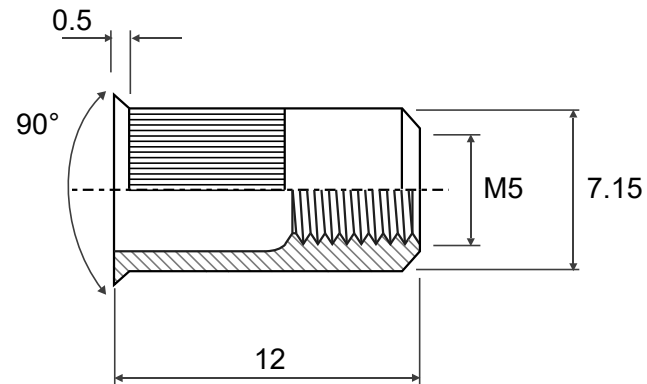
Approximate Performance in Laboratory Tests

Tensile Strength: 11500 N

Direct Torque: 6 Nm

Body Torque: 1.5 Nm

Shear Strength: 2000 N



	Material		Customer Part No.	
	Finish		Web Ref No	