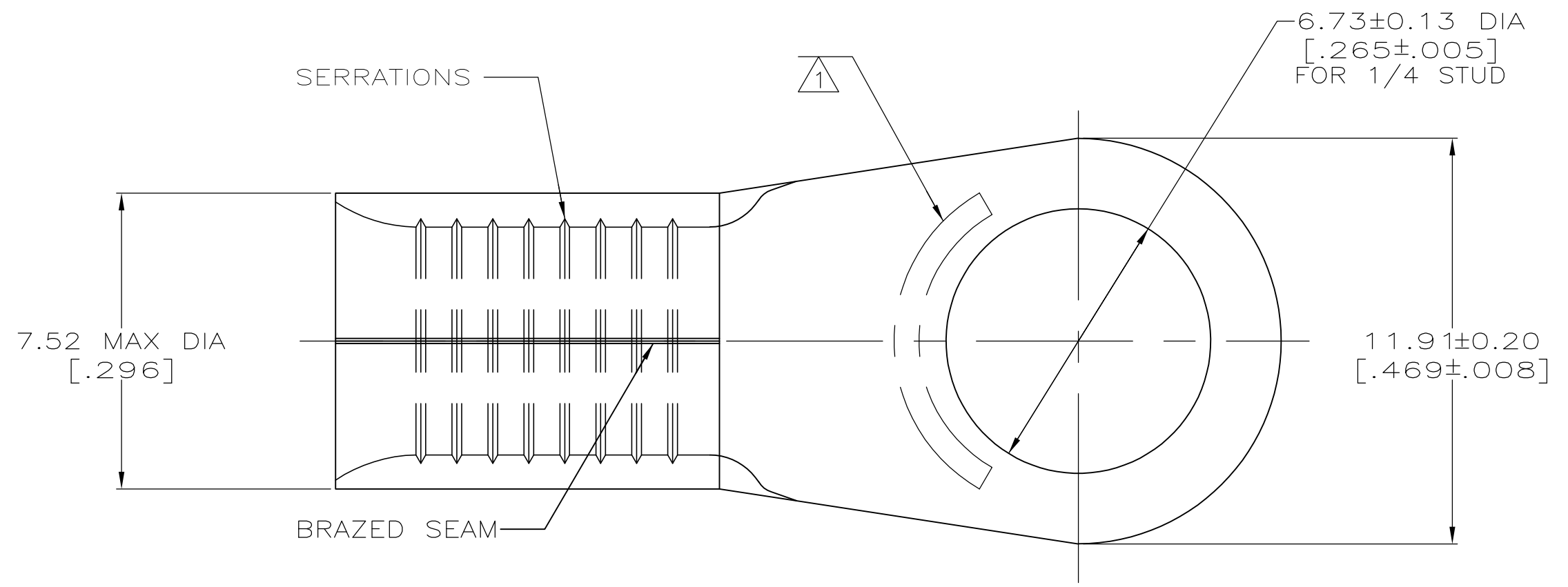


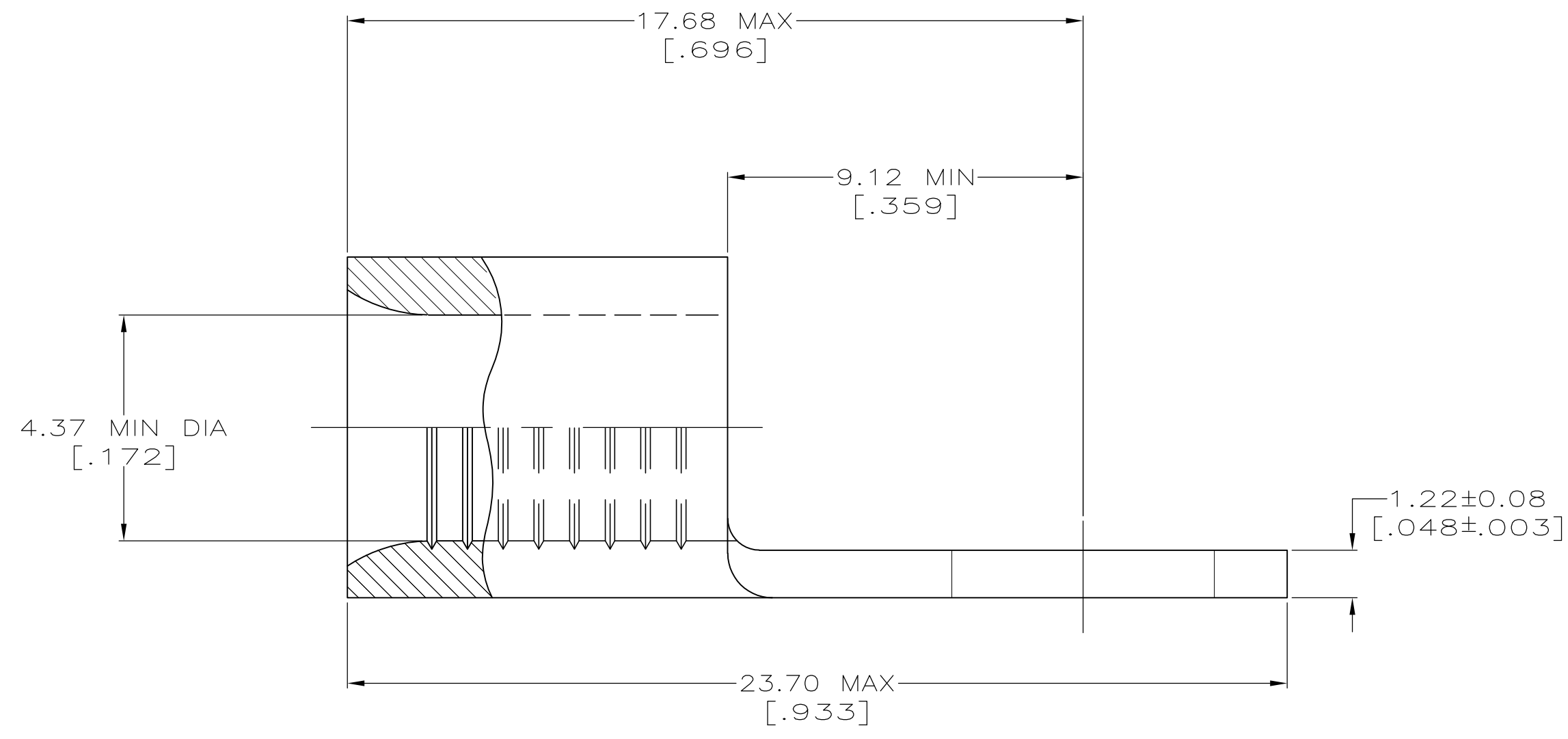
LOC	DIST	REVISIONS					
G	14	P	LTR	DESCRIPTION	DATE	DWN	APVD
		C2		REVISED PER ECO-11-005027	11MAR11	RK	HMR



AMP
WIRE RANGE

8 AWG
SOLID OR STRANDED

- ① STAMP AMP 8* APPROX AS SHOWN
- ② COPPER PER ASTM B-152, ANNEALED
- ③ NICKEL PLATE 0.00762 [.000300] MIN THK PER QQ-N-290



323166
PART NO.

MAX RECOMMENDED OPERATING TEMPERATURE: 343°C MAX	THIS DRAWING IS A CONTROLLED DOCUMENT.		DWN TA BRINKMAN 4-19-93	TE Connectivity
	VOLTAGE RATING: N/A	DIMENSIONS: mm[INCHES]	TOLERANCES UNLESS OTHERWISE SPECIFIED: 0 PLC ± - 1 PLC ± - 2 PLC ± - 3 PLC ± - 4 PLC ± - ANGLES ± ± - FINISH	
CIRCULAR MIL AREA: 6.64-10.5mm²[13,100-20,800] SOLID OR STRANDED	MATERIAL - ②		NAME TERMINAL, RING TONGUE, HEAT RESISTANT, STRATO-THERM	SIZE A2
			DRAWING NO G-323166	RESTRICTED TO -
			CUSTOMER DRAWING	SCALE 8:1 SHEET 1 OF 1 REV C2