

1 2 3 4 5 6

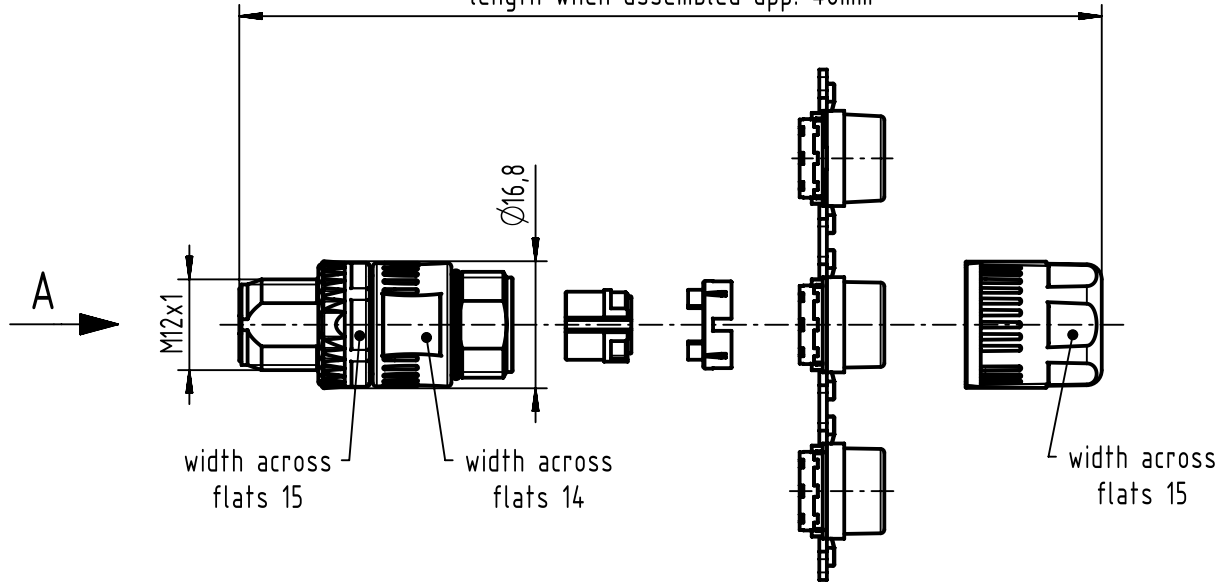
A

B

C

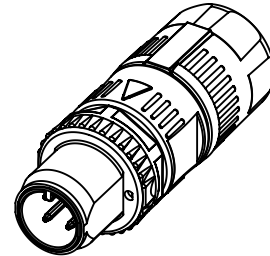
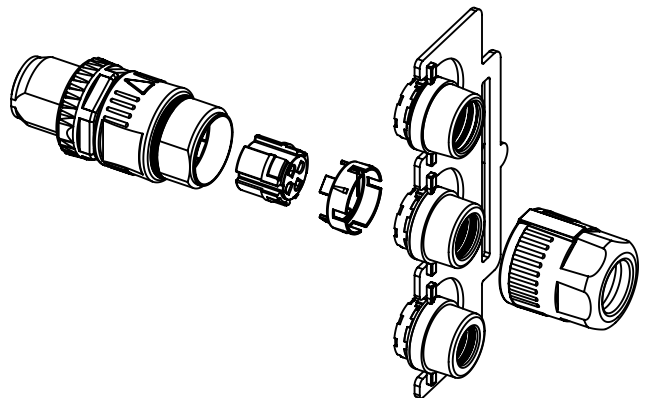
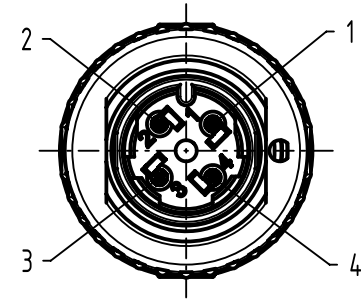
D

length when assembled app. 46mm



A (2:1)

contact face acc. to IEC 61076-2-101



conductor cross section	AWG26
cable outside diameter	5.7 - 8.8mm

	All rights reserved Department EL PD	All Dimensions in mm Original Size DIN A4			Scale 1:1	Free size tol.	Ref. Sub.
		HARTING Electronics GmbH D-32339 Espelkamp	Created by BUSSMANN	Inspected by GENAU	Standardisation HOFFMANN	Date 2018-04-20	State Final Release
Title M12-SD-CC-IDC-4P-ACOD-M-STR-SHLD						Doc-Key / ECM-Nr. 100730301/UGD/001/A 500000133855	
Type TB				Number 21033221410		Rev. A	Page 1/1