

length when assembled app. 46mm

A (2:1)

contact face acc. to IEC 61076-2-101

M12x1

M16x1,5

width across flats 18

width across flats 19

width across flats 15

assembly aid enclosed

panel cut out

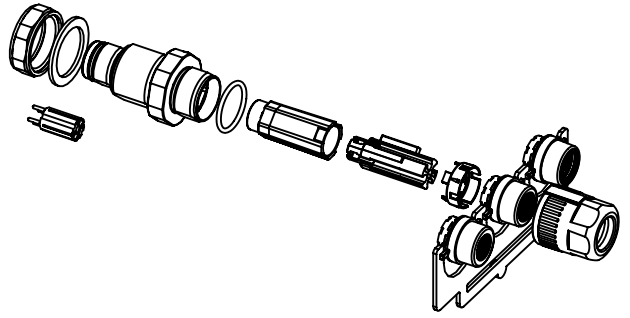
min. 2 - max. 5

Ø16,3±0,2

14,3±0,2

- recommended torque of counter nut: 2Nm
- order contacts separately

cable Ø	wire gauge	part-no.
5,7-8,8mm	AWG 26-22	09 67 000 5576
	AWG 24-20	09 67 000 8576
	AWG 22-18	09 67 000 3576



	All Dimensions in mm Original Size DIN A4		Scale 1:1	Free size tol.		Ref. Sub. TB 21038811426 / 500000136834 / 2018-06-26	
	All rights reserved Department EL PD		Created by BUSSMANN	Inspected by GENAU	Standardisation HOFFMANN	Date 2018-10-30	State Final Release
HARTING Electronics GmbH D-32339 Espelkamp			Title M12-PP-PFT-CRIMP-4P-DCOD-M-SHLD			Doc-Key / ECM-Nr. 100773850/UGD/001/B 500000141937	
			Type TB	Number 21038811426		Rev. B	Page 1/1