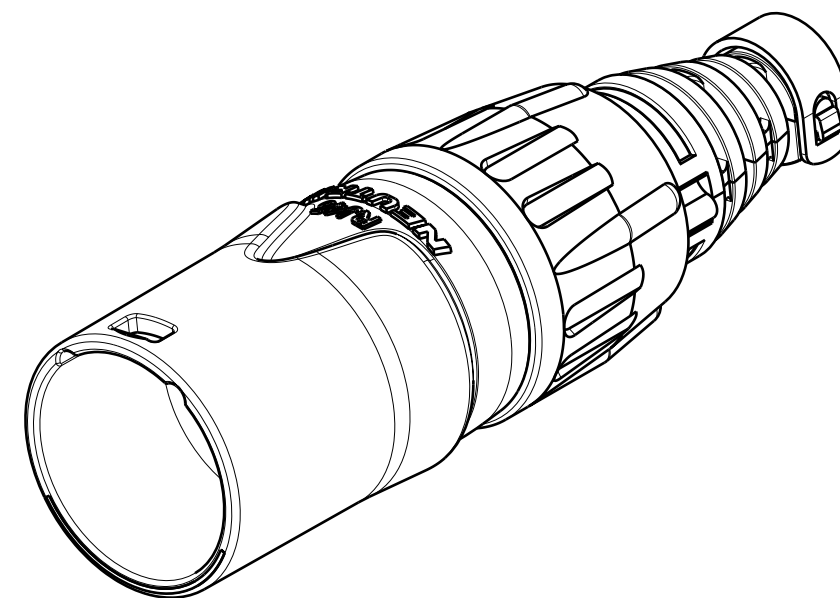
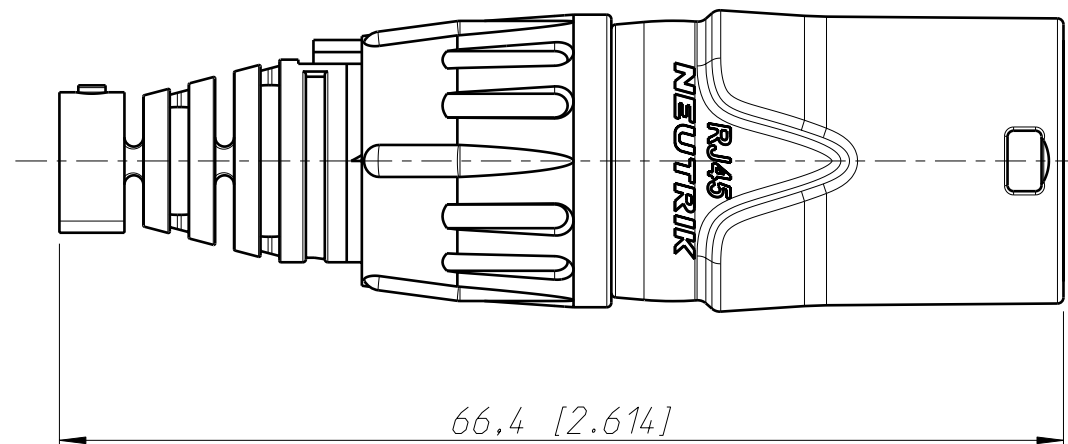
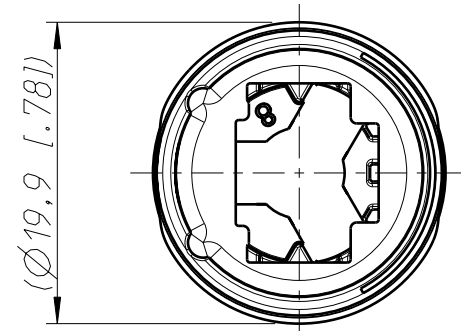
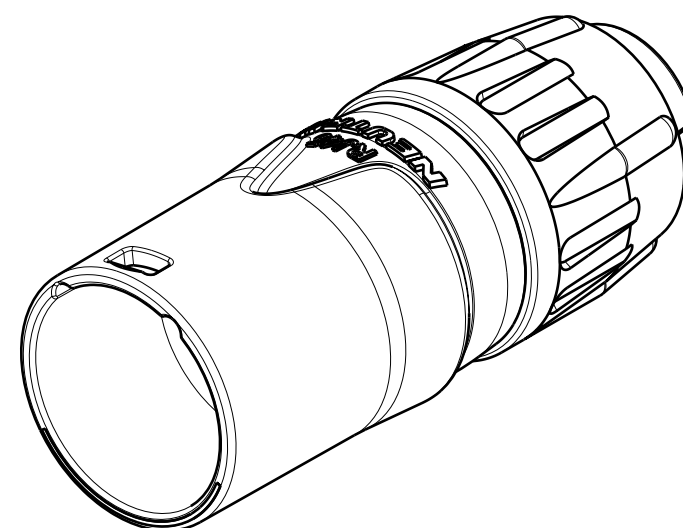
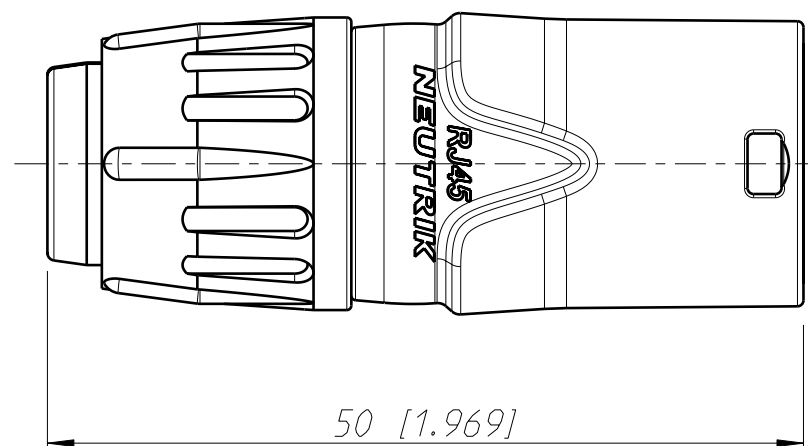
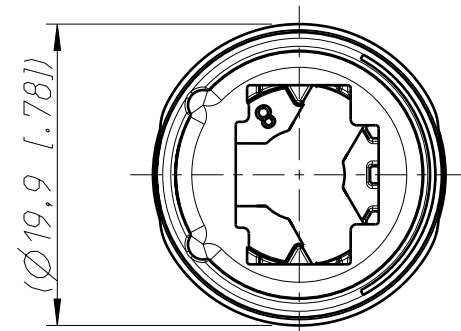


type 1



type 2



General tolerances ISO 2768-m		Scale		Date		Name	
Refer to protection notice ISO 16016.		2:1 (A3)		26.09.18		Zechmann	
Name		NE8MX		Drawn		-	
		NE8MX		Modified		-	
				Change-No.		Sheet-No.	
				-		1 / 1	
				Index		-	
				Replacement for:			
				Drawing-No.			
				ST-NE8MX			
				NEUTRIK			