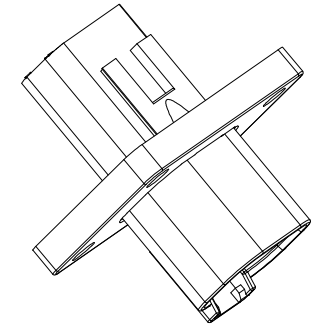
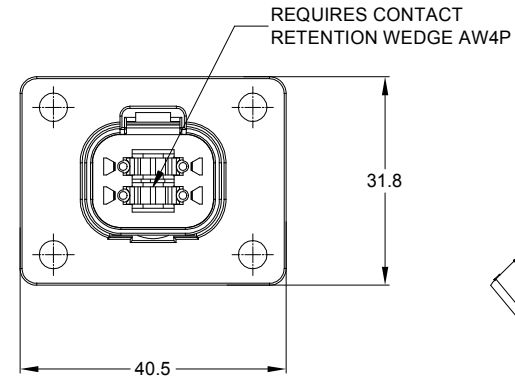
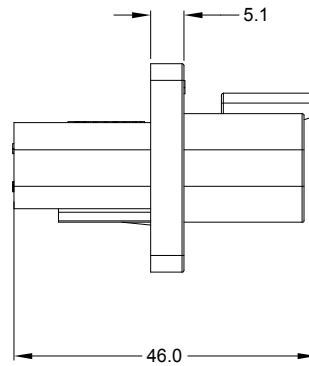
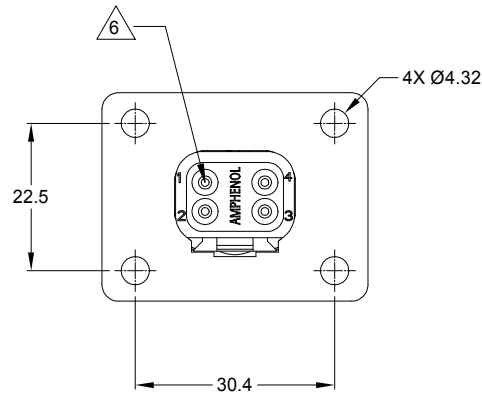
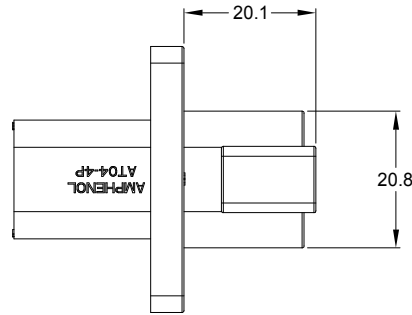


| REVISIONS |     |                |           |        |       |
|-----------|-----|----------------|-----------|--------|-------|
| REV       | ECO | DESCRIPTION    | DATE      | BY     | APPR  |
| A1        | -   | RELEASE NUMBER | 30/NOV/18 | ROOKIE | TOMMY |



NOTES: UNLESS OTHERWISE SPECIFIED

- MATERIAL:  
HOUSING: THERMOPLASTIC  
SEAL: SILICONE RUBBER
- MODIFICATIONS: FLANGE
- SPECIFICATIONS:  
3.1 CURRENT RATING: 13 AMPS  
3.2 OPERATING TEMPERATURE: -55°C TO +125°C.  
3.3 DIELECTRIC WITHSTANDING VOLTAGE: LESS THAN 2 MILLIAMPS CURRENT LEAKAGE @ 1500 VOLTS AC.  
3.4 INSULATION RESISTANCE: 1000 MEGOHMS MIN @ 25°C.  
3.5 MOISTURE RESISTANCE: IP67 ( MATED CONDITION )  
3.6 MATING CYCLE DURABILITY: 100 CYCLES  
3.7 RoHS COMPLIANT
- MATING PART: AT06-4S\* PLUG.  
(\* = MODIFICATIONS AND COLORS )
- ALL DIMENSIONS ARE FOR REFERENCE USE ONLY.

CONTACT SIZE AND REAR SEAL WIRE RANGE:

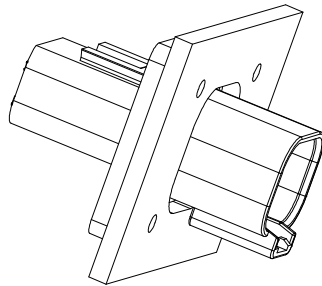
| CONTACT SIZE | MIN. INSUL O.D.   | MAX. INSUL O.D.   | TYPICAL WIRE RANGE |
|--------------|-------------------|-------------------|--------------------|
| 16           | 2.24 mm (.088 in) | 3.68 mm (.145 in) | 14 - 20 AWG        |

| QUANTITY   | AT04-4P-L012 | DESCRIPTION  | ITEM                             |
|--|--------------|--|----------------------------------|
|  | PART NUMBER  |  |                                  |
| <b>MATERIALS LIST</b>  |              |  |                                  |
| <b>UNLESS OTHERWISE SPECIFIED</b><br>1) All dimensions are in metric(mm).<br>2) Tolerances are as follows:<br>1 PL DEC ±0.30<br>2 PL DEC ±0.15<br>3 PL DEC ±0.08<br>Fractions ±1/64<br>Angles ±1°<br>3) Note reference = |              | <b>SIGNATURES</b> <b>DATE</b><br>DRAWN: ROOKIE    30/NOV/18<br>CHECKED: ORION    30/NOV/18<br>ENGINEER:<br>APPROVAL: TOMMY    30/NOV/18<br>CUSTOMER:   |                                  |
| MATERIAL SPECIFICATIONS:   |              | <b>Amphenol</b><br>Sine Systems - www.amphenol-sine.com<br>44724 Morley Drive<br>Clinton Township, MI 48036<br>4P RECEPTACLE, FLANGE MOUNT, GRAY   |                                  |
| PROCESS SPECIFICATIONS:  |              |  |                                  |
| NEXT ASSY:   |              | THIS DRAWING IS SUPPLIED FOR INFORMATION ONLY. DESIGN FEATURES, SPECIFICATIONS AND PERFORMANCE DATA SHOWN HEREON ARE THE PROPERTY OF THE AMPHENOL CORPORATION. NO RIGHTS OF REPRODUCTION ARE IMPLIED. ALL DIMENSIONS ARE SUBJECT TO NORMAL MANUFACTURING VARIATIONS. | SIZE: <b>B C-</b><br>SCALE: NONE |
|  |              | DWG NO: <b>AT04-4P-L012</b><br>SHEET 1 OF 2  | REVISION: <b>A1</b>              |

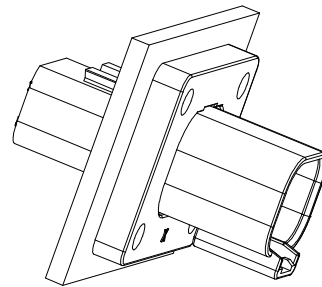
TITLE: 4P RECEPTACLE FLANGE MOUNT GRAY    DWG NO: AT04-4P-L012    REV: A1    SH: 1    OF: 2

| REVISIONS |     |                |           |        |       |
|-----------|-----|----------------|-----------|--------|-------|
| REV       | ECO | DESCRIPTION    | DATE      | BY     | APPR  |
| A1        | -   | RELEASE NUMBER | 30/NOV/18 | ROOKIE | TOMMY |

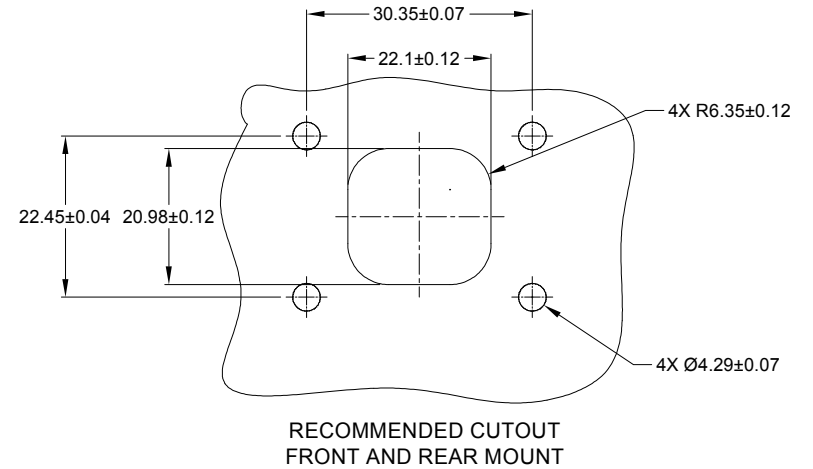
FOR REFERENCE ONLY



FRONT MOUNT



REAR MOUNT



RECOMMENDED CUTOUT  
FRONT AND REAR MOUNT

| AT04-4P-L012   |             | DESCRIPTION   |                                      | ITEM  |
|--|-------------|---|--------------------------------------|---|
| QUANTITY   | PART NUMBER | MATERIALS LIST  |                                      |   |
| <b>UNLESS OTHERWISE SPECIFIED</b><br>1) All dimensions are in metric(mm).<br>2) Tolerances are as follows:<br>1 PL DEC ±0.30 Fractions ±1/64<br>2 PL DEC ±0.15 Angles ±1°<br>3 PL DEC ±0.08<br>3) Note reference = |             | <b>SIGNATURES</b><br>DRAWN: <b>ROOKIE</b> 30/NOV/18<br>CHECKED: <b>ORION</b> 30/NOV/18<br>ENGINEER:<br>APPROVAL: <b>TOMMY</b> 30/NOV/18   |                                      | <b>Amphenol</b><br>Sine Systems - www.amphenol-sine.com<br>44724 Morley Drive<br>Clinton Township, MI 48036 |
| MATERIAL SPECIFICATIONS:<br><br>PROCESS SPECIFICATIONS:<br><br>NEXT ASSY:  |             | CUSTOMER:<br><br>THIS DRAWING IS SUPPLIED FOR INFORMATION ONLY. DESIGN FEATURES, SPECIFICATIONS AND PERFORMANCE DATA SHOWN HEREON ARE THE PROPERTY OF THE AMPHENOL CORPORATION. NO RIGHTS OF REPRODUCTION ARE IMPLIED. ALL DIMENSIONS ARE SUBJECT TO NORMAL MANUFACTURING VARIATIONS. |                                      |   |
|  |             | SIZE: <b>B C-</b><br>SCALE: NONE  | TYPE:<br>DWG NO: <b>AT04-4P-L012</b> | REVISION: <b>A1</b><br>SHEET 2 OF 2   |

TITLE: 4P RECEPTACLE, FLANGE MOUNT, GRAY  
 DWG NO.: AT04-4P-L012  
 REV: A1  
 SH: 2  
 OF: 2