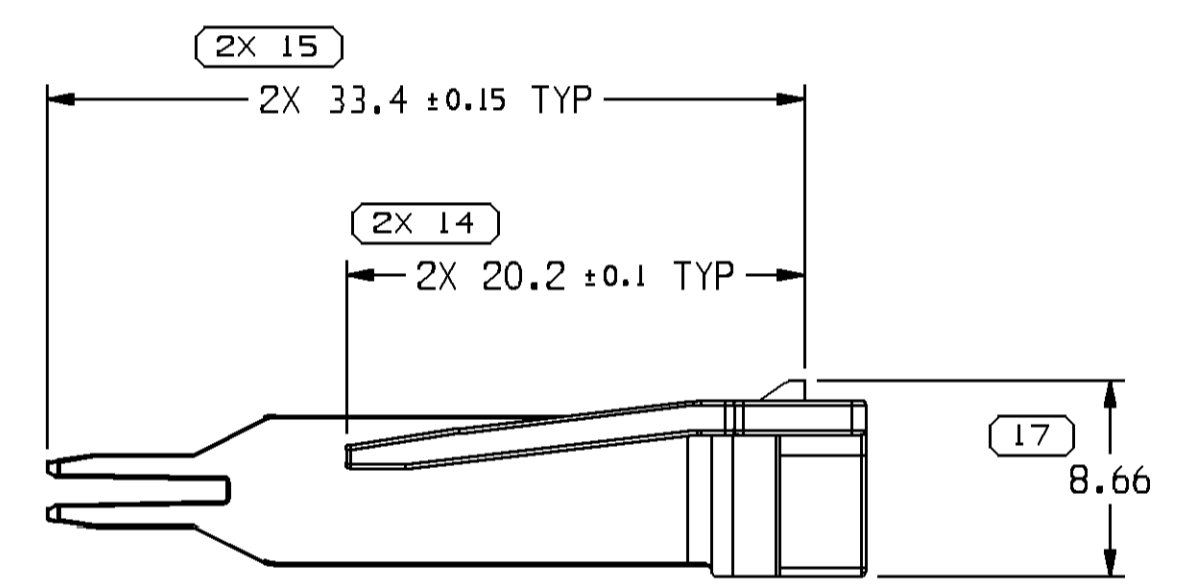
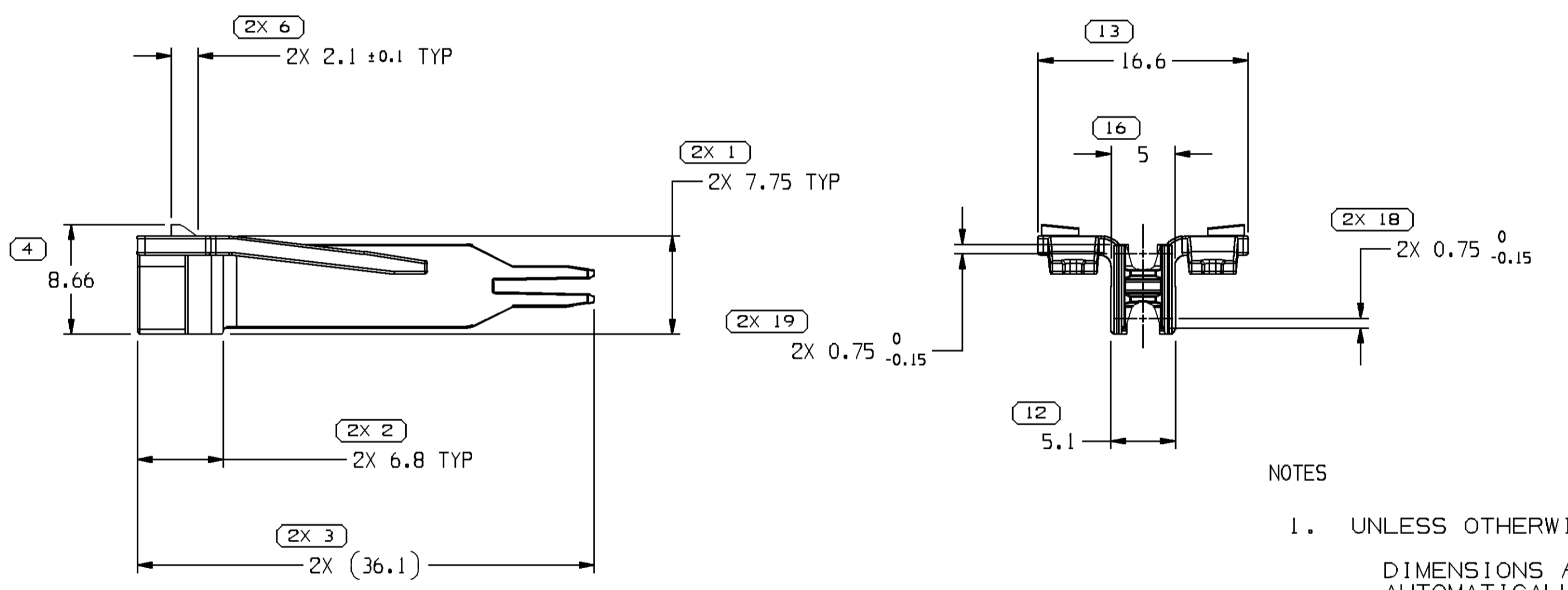
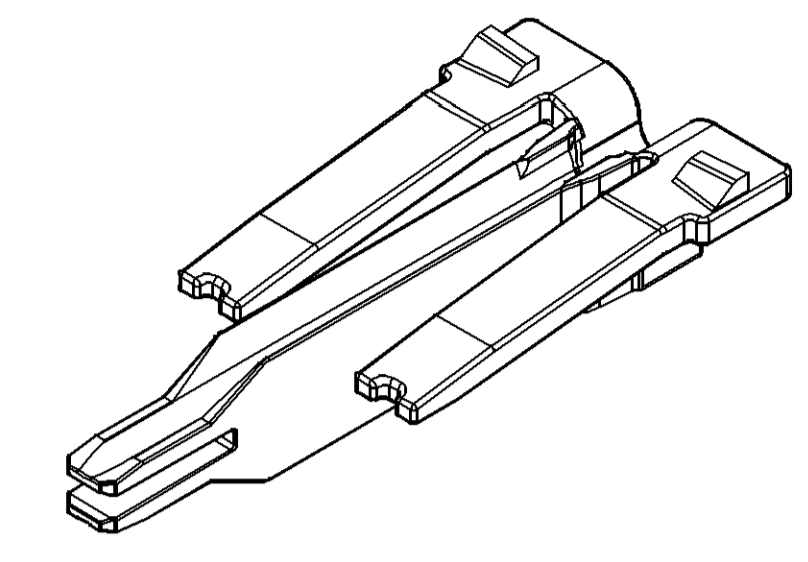
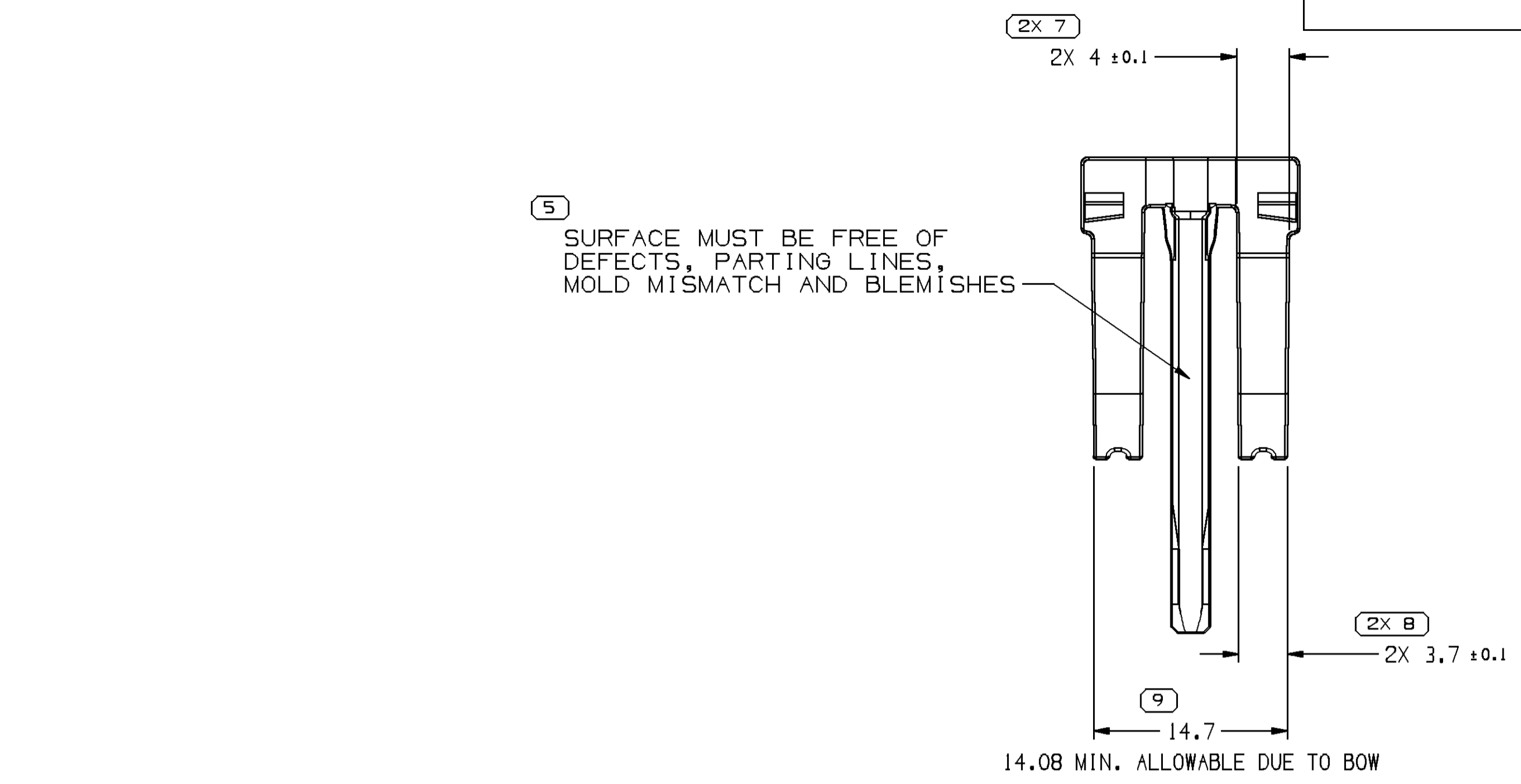
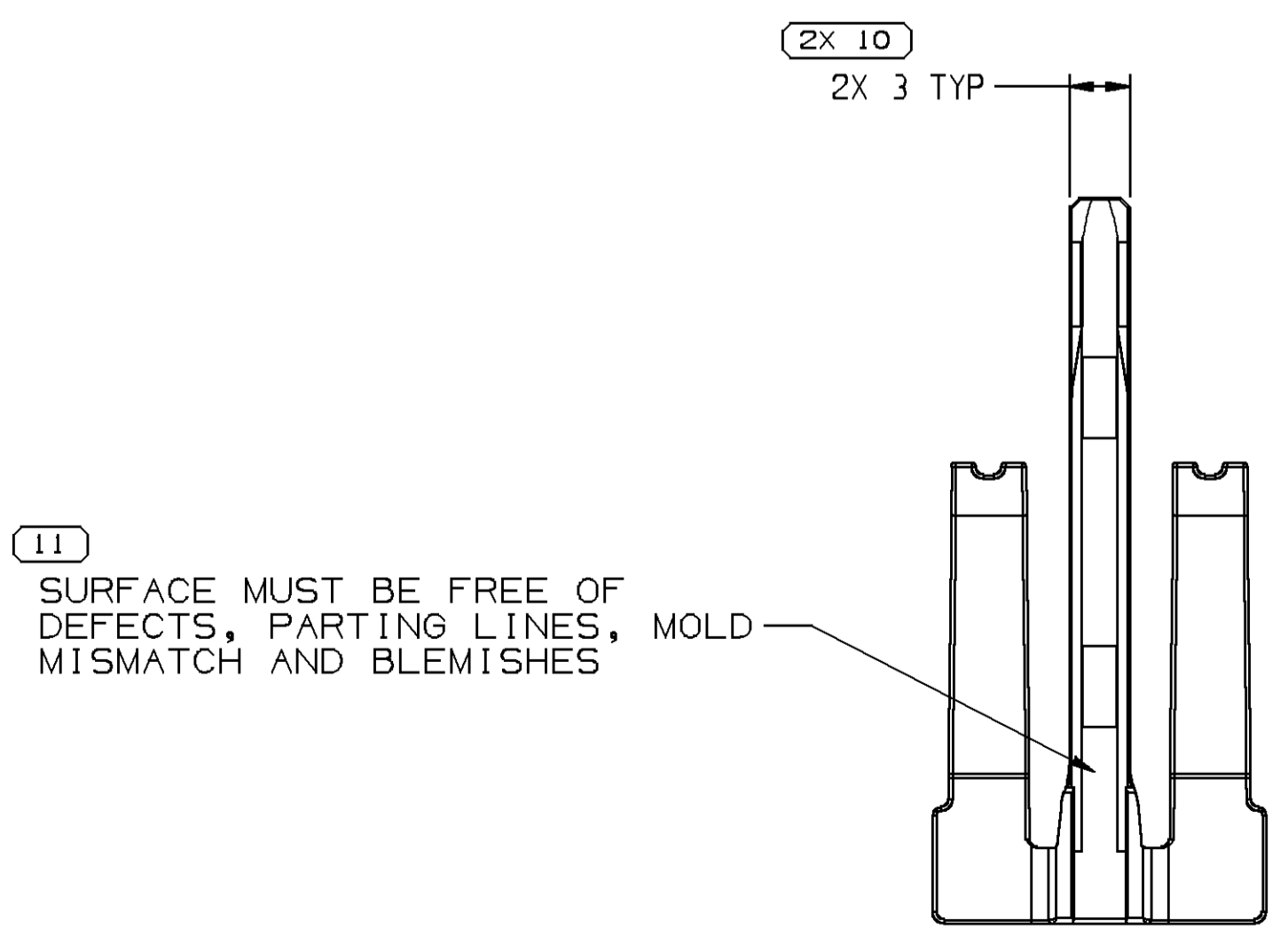


SYMBOL DEFINITION		MISSING SYMBOLS	
A DIMENSION WITHOUT AN INSPECTION REPORT SYMBOL () DOES NOT REQUIRE INSPECTION. IT MAY BE CONTROLLED ON THE INDIVIDUAL COMPONENT DRAWING.	TOTAL NO OF INSPECTIONS REQUIRED	NO MISSING SYMBOL NUMBER	
	30		
	LAST NO. USED		
	19		

DWG STATUS					REVISION HISTORY				AUTH	DR	APVD1	APVD2	
DATE	STG	REV	N/P	CHG	ZONE								
07FE13	R	01	-	-		RELEASED				421389	JHG	JHG	TG
02AP13	R	02	-	-		REVISED PER FEA AND TOOLING REQUESTS, DIM 4 WAS 8.83, DIM 6 WAS 2.2, ADDED DIM 17, PROCESS SENSITIVE DIM WAS DIM 12				421974	JHG	JHG	TG
16JL13	R	02	AA	-		REVISED MATH MODEL & ADDED DIMS (2PLCS)				423273	ESC	ESC	YVH
24NO17	R	02	AB	-		UPDATED PART AVAILABILITY				438469	JVM	JVM	MNC



- NOTES
- UNLESS OTHERWISE SPECIFIED AND/OR INDICATED:
DIMENSIONS ARE TO FACE OF VIEW SHOWN AND AUTOMATICALLY ROUNDED BY COMPUTER FOR INSPECTION (SEE MATH MODEL FOR PRECISE DIMENSIONS). FOR ALL OTHER DIMENSIONS NOT SHOWN BUT REQUIRED FOR TOOL BUILD, SEE MATH MODEL FOR PRECISE TOOL PATH DATA.
 - PARTS SHOWN ON THIS DRAWING USED IN ASSEMBLIES SHOWN ON TAXI 15526393.
 - THIS PRODUCT IS NOT CATEGORIZED AS AN APPEARANCE ITEM, MINOR IMPERFECTIONS INCLUDING, BUT NOT LIMITED TO, FLOW MARKS, COLOR BLEMISHES, GATE VESTIGE, AND SOFT FLASH THAT DO NOT AFFECT THE FIT, FORM, OR FUNCTION OF THE PART ARE PERMISSIBLE PER EANP_4-3_CS_01-EN.
 - (2.31)(0.1) DELPHI CORPORATE BRAND TO BE LOCATED ON ANY EXTERIOR SURFACE, PREFERABLY VISIBLE AT FINAL ASSEMBLY. OPTIONAL CONSTRUCTION FOR EXISTING TOOLING MAY BE "PED".



<p>LINE DRAWN THROUGH A PART NUMBER INDICATES THAT PHYSICAL PARTS ARE NOT AVAILABLE FOR ORDERING.</p> <p>PART NUMBERS THAT DO NOT HAVE A LINE PRESENT INDICATE THAT PHYSICAL PARTS ARE AVAILABLE FOR ORDERING.</p> <p>CONTACT DELPHI SALES TO ASSURE AVAILABILITY OF PARTS.</p>	
<p>DWG TYPE: PART DRAWING</p>	
<p>STYLE:</p>	
VOLUME (CPI): 0.713	DISTR CODE: D
<p>UNLESS OTHERWISE SPECIFIED THIS DOCUMENT IS IN ACCORDANCE WITH ASME Y14.5M-1994 AS AMENDED BY THE GM GLOBAL DIMENSIONING AND TOLERANCING ADDENDUM-2001. SEPARATE PATTERNS OF FEATURES MAY BE GAGED SEPARATELY REGARDLESS OF DATUM REFERENCES.</p>	
<p>ALL DIMENSIONS ARE IN MILLIMETERS</p>	
<p>REFERENCE:</p>	

DELPHI
 DELPHI PACKARD ELECTRICAL/ELECTRONIC ARCHITECTURE
 WARREN, OH
 COPYRIGHT 2013 DELPHI CORPORATION AND/OR ITS AFFILIATES. ALL RIGHTS RESERVED.
 THIS DRAWING IS THE PROPERTY OF DELPHI CORPORATION AND CONTAINS DELPHI CONFIDENTIAL INFORMATION. THE REPRODUCTION, DISTRIBUTION AND UTILIZATION OF THIS DOCUMENT OR ITS RELATED CAD MATH DATA, AS WELL AS COMMUNICATION OF ANY CONTENT TO OTHERS, WITHOUT EXPRESS AUTHORIZATION, IS PROHIBITED.

DR	DATE
APVD1 J. GARRETSON	21FE13
APVD2 J. GARRETSON	18MR13
APVD3 T. GEORGE	18MR13
APVD4	
APVD5	

SUBSTANCES OF CONCERN AND RECYCLED CONTENT PER DELPHI 10949001

MATERIAL: POLYAMIDE COMPOUND BLUE

DRAWING NAME: LOCK SECONDARY TPA

DRAWING NUMBER: 15526390

SIZE: A1	SCALE: 2:1	FRAME NO: 1 OF 1	SHEET NO: 1 OF 1	STG: R	REV: 02	N/P: AB
----------	------------	------------------	------------------	--------	---------	---------

<p>(4) PROCESS SENSITIVE DIMENSION</p> <p>DIMENSIONS ENCLOSED IN () INDICATE REFERENCE DIMENSIONS AND NO TOLERANCE LIMITS ARE ESTABLISHED</p>	
<p>THIRD ANGLE PROJECTION</p>	
<p>DO NOT SCALE</p>	
<p>USE MATH DATA</p>	

DIMENSIONAL RANGE (MM)		CHART E1	
FROM	TO	>30	>300
>0	>20	>30	>300
>20	>30	>70	>100
>30	>70	>100	>150
>70	>100	>150	>200
>100	>150	>200	>250
>150	>200	>250	>300
>200	>250	>300	>400

TOLERANCE UNLESS OTHERWISE SPECIFIED

±0.15	±0.2	±0.3	±0.4	±0.5	±0.6	±0.8	±1	±1.2
-------	------	------	------	------	------	------	----	------

ANGULAR TOLERANCE ±2°