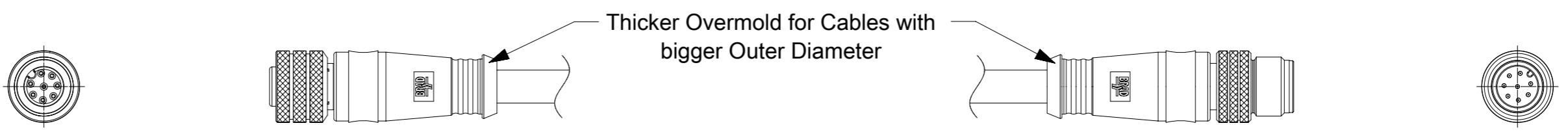
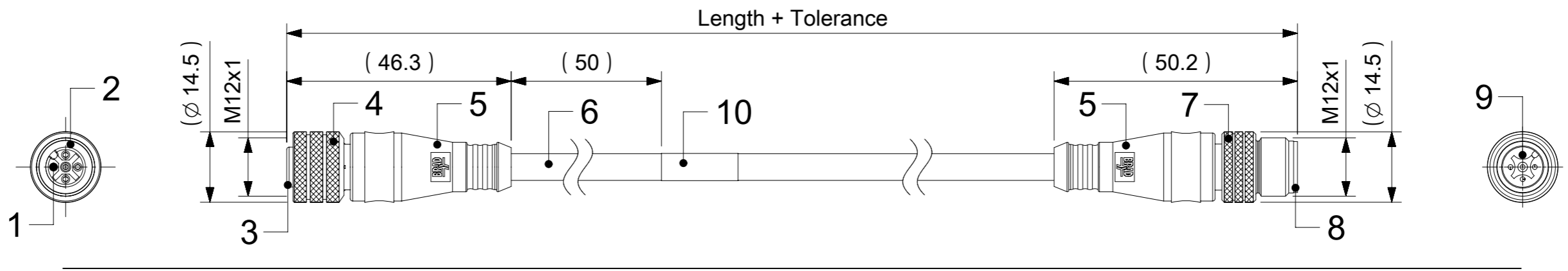


FEMALE PLUG M12 STRAIGHT TO MALE PLUG M12 STRAIGHT



NOTES:

RATED VOLTAGE: 3, 4 contacts 250V per IEC 60664
 5 contacts 60V per IEC 60664
 5 contacts 250V per UL 2238
 8 contacts 30V per IEC 60664

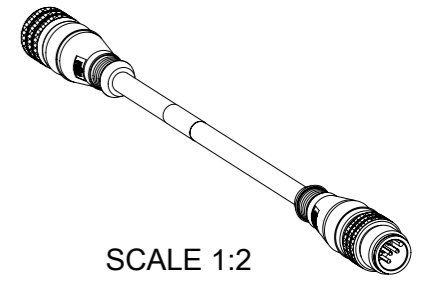
RATED CURRENT: 3, 4, 5 contacts 4A
 8 contacts 2A

PROTECTION CLASS: IP 67
 TEMPERATURE: -25°C / +85°C

CONTACTS POSITION FRONT VIEW:

| | 3 CONTACTS | | 4 CONTACTS | | 5 CONTACTS | | 8 CONTACTS | |
|-------------|------------|-------|------------|-------|------------|----------------------|------------|--------|
| FEMALE | | | | | | | | |
| MALE | | | | | | | | |
| CONNECTIONS | PIN | WIRE | PIN | WIRE | PIN | WIRE | PIN | WIRE |
| | 1 | BROWN | 1 | BROWN | 1 | BROWN | 1 | WHITE |
| | 2 | --- | 2 | WHITE | 2 | WHITE | 2 | BROWN |
| | 3 | BLUE | 3 | BLUE | 3 | BLUE | 3 | GREEN |
| | 4 | BLACK | 4 | BLACK | 4 | BLACK | 4 | YELLOW |
| | | | 5 | --- | 5 | GREY OR GREEN/YELLOW | 5 | GREY |
| | | | | | | | 6 | PINK |
| | | | | | | | 7 | BLUE |
| | | | | | | 8 | RED | |

CODING REQUIRED TO IEC 61076-2-101



SCALE 1:2

FOR OPTIONS SEE - NUMERICAL CODE - ON SHEET 2

| ITEM | QTY. | DESCRIPTION | MATERIAL | FINISH |
|------|---------------|-------------------------|-------------|----------------------|
| 10 | 1 | LABEL YELLOW | VINYL | --- |
| | - | PRINTING FOR CABLES lxx | --- | --- |
| 9 | 3 / 4 / 5 / 8 | CONTACT MALE | BRASS | SELECTIVE Au OVER Ni |
| 8 | 1 | INSERT MALE BLACK | TPU | --- |
| 7 | 1 | COUPLING NUT MALE | BRASS | NICKEL |
| 6 | - | CABLE | SEE SHEET 2 | --- |
| 5 | - | OVERMOULDING BLACK | TPU | --- |
| 4 | 1 | COUPLING NUT FEMALE | BRASS | NICKEL |
| 3 | 1 | INSERT FEMALE BLACK | PUR | --- |
| 2 | 1 | ORING RED | FPM | --- |
| 1 | 3 / 4 / 5 / 8 | CONTACT FEMALE | BRASS | SELECTIVE Au OVER Ni |

THIS DRAWING CONTAINS INFORMATION THAT IS PROPRIETARY TO MOLEX ELECTRONIC TECHNOLOGIES, LLC AND SHOULD NOT BE USED WITHOUT WRITTEN PERMISSION

| | | | | |
|--|--------|---|----------------|--------------|
| DIMENSION UNITS | SCALE | CURRENT REV DESC: | | |
| mm | 1:1 | | | |
| GENERAL TOLERANCES (UNLESS SPECIFIED) | | CSE M12 XP AC FE STR MA STR XM DE PRODUCT CUSTOMER DRAWING | | |
| ANGULAR TOL | ± 1.0° | | | |
| 4 PLACES | ± | | | |
| 3 PLACES | ± | | | |
| 2 PLACES | ± 0.05 | | | |
| 1 PLACE | ± 0.3 | INITIAL REVISION: | | |
| 0 PLACES | ± 0.5 | DRWN: JMARSZALEK 2016/09/19 | | |
| DRAFT WHERE APPLICABLE MUST REMAIN WITHIN DIMENSIONS | | THIRD ANGLE PROJECTION | DRAWING | SERIES |
| | | | A3-SIZE | 120066 |
| | | MATERIAL NUMBER | CUSTOMER | SHEET NUMBER |
| | | SEE PART LIST | GENERAL MARKET | 1 OF 6 |

ENGINEERING NO. - NUMERICAL CODE (Available parts see PART LIST table. Other parts available upon request).

8 8 X 0 3 0 X X X X X X X X X

OPTIONS

Overmold color:
 Blank (Standard)=Black TPU
 Blank=Yellow PVC for cables
 A09, S19, S20, S26
 Blank=Yellow TPE-E for cables
 K03, K05
 A=Grey / G=Black / Y=Yellow

88=Micro-Change
 M12x1
 Double ended

Contacts:
 3=3 Contacts
 4=4 Contacts
 5=5 Contacts
 8=8 Contacts

Heads style:
 030=Plug Female Straight
 to Plug Male Straight

Cable type: See Table

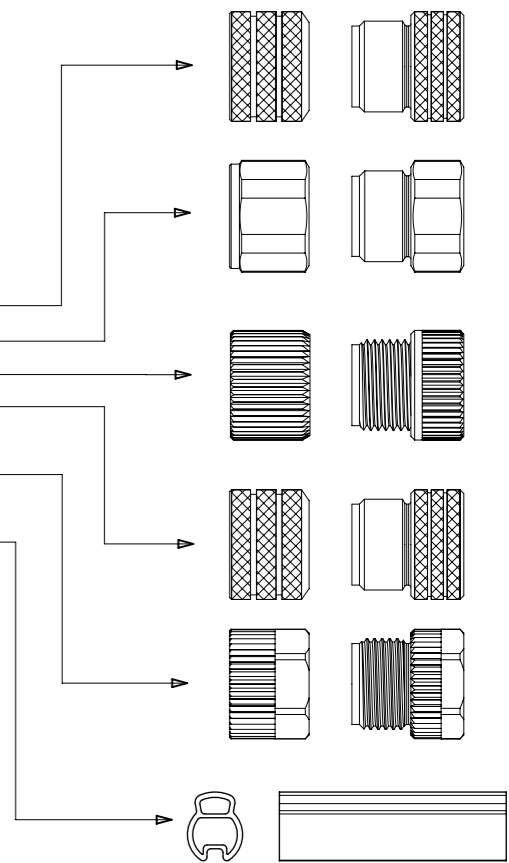
Units:
 M=Meter

Length
 Examples:
 005=0.5 unit
 010=1 unit
 100=10 units

Coupling Nut:
 Blank (Standard)=Knurled Brass Ni Plated
 1=Hexagonal Stainless steel
 5=Knurled Derlin
 7=Knurled Brass Ni Plated, Teflon Coated
 Blank=7 for cables I20, I26, K03, K05, P82, S26
 9=Knurled / Hexagonal Brass Ni Plated SW13

H= 2 pcs. of I/D Carrier PVC Transparent
 (Cables Ixx & P82 always with 2 pcs. of
 I/D Carrier even if no H in Engineering No.)

COUPLING NUT FEMALE MALE



CABLE LENGTH TOLERANCES

| OVER | UP TO AND INCLUDING | TOLERANCES |
|---------|---------------------|------------------------|
| 0 | 305mm | +19mm |
| 305mm | 915mm | +45mm |
| 915mm | 1830mm | +56mm |
| 1830mm | 3660mm | +89mm |
| 3660mm | 7320mm | +165mm |
| 7320mm | 14640mm | +317mm |
| 14640mm | 30500mm | +610mm |
| 30500mm | > | +2% of finished length |

| | | | | | | | | | |
|---|--|---------------------|--|-----------------------------|--|-----------------|--|-----------------------------------|--|
| THIS DRAWING CONTAINS INFORMATION THAT IS PROPRIETARY TO MOLEX ELECTRONIC TECHNOLOGIES, LLC AND SHOULD NOT BE USED WITHOUT WRITTEN PERMISSION | | | | | | | | | |
| DIMENSION UNITS mm | | SCALE 1:1 | | CURRENT REV DESC: | | | | molex | |
| GENERAL TOLERANCES (UNLESS SPECIFIED) | | | | EC NO: 606310 | | | | | |
| ANGULAR TOL ± 1.0° | | | | DRWN: SSM 2018/10/12 | | | | CSE M12 XP AC FE STR MA STR XM DE | |
| 4 PLACES ± | | | | CHK'D: SSM 2018/10/22 | | | | PRODUCT CUSTOMER DRAWING | |
| 3 PLACES ± | | | | APPR: RSILLER 2018/10/22 | | | | DOCUMENT NUMBER | |
| 2 PLACES ± 0.05 | | | | INITIAL REVISION: | | | | 1200668165 | |
| 1 PLACE ± 0.3 | | | | DRWN: JMARSZALEK 2016/09/19 | | | | DOC TYPE | |
| 0 PLACES ± 0.5 | | | | APPR: RSILLER 2016/12/08 | | | | PSD | |
| DRAFT WHERE APPLICABLE MUST REMAIN WITHIN DIMENSIONS | | | | THIRD ANGLE PROJECTION | | DRAWING | | SHEET NUMBER | |
| | | | | A3-SIZE | | SERIES | | 2 OF 6 | |
| | | | | 120066 | | MATERIAL NUMBER | | GENERAL MARKET | |
| | | | | SEE PART LIST | | CUSTOMER | | | |

CABLE INFORMATION(for more information see Cable Data Sheet).

| CABLE TYPE | NO. OF WIRES | CROSS SECTION | CABLE JACKET | UL | CSA | STATIC: TEMP. / BENDING RADIUS | DYNAMIC: TEMP. / BENDING RADIUS | DRAG CHAIN | SHIELD |
|------------|---------------|---------------------|-----------------|----------------|--------------------------|--------------------------------|---------------------------------|---|--------|
| A09 | 4 | 22AWG | PVC YELLOW | UL 2661 | I/II A/B 80°C/300V | - | - | - | - |
| B02 | 4 | 18AWG | PUR YELLOW | UL 20549 | I/II A/B 80°C/300V | - | - | - | - |
| E02 | 3 / 4 / 5 / 8 | 0.25mm ² | PVC BLACK | UL 2464/1729 | C22.2 I/II A/B 80°C/300V | -30°C to +80°C, 10xO.D. | -10°C to +80°C, 15xO.D. | - | - |
| E03 | 3 / 4 / 5 | 0.34mm ² | PVC BLACK | UL 2464/1729 | C22.2 I/II A/B 80°C/300V | -30°C to +80°C, 10xO.D. | -10°C to +80°C, 15xO.D. | - | - |
| E52 | 3 / 4 | 0.34mm ² | PVC GREY | - | - | -30°C to +70°C | -5°C to +70°C | - | - |
| E57 | 5 | 0.34mm ² | PVC GREY | - | - | - | -5°C to +70°C | - | - |
| H09 | 3 / 4 / 5 | 0.34mm ² | PUR BLACK LS0H | UL 21198/10493 | C22.2 I/II A/B 80°C/300V | -40°C to +80°C, 5xO.D. | -25°C to +80°C, 10xO.D. | 2 000 000 cycles at 20°C, Temp. range +5°C to +60°C | - |
| I02 | 3 / 4 / 8 | 0.25mm ² | PVC CEI GREY | - | - | -30°C to +70°C | -5°C to +70°C | - | - |
| I03 | 3 / 4 / 5 | 0.34mm ² | PVC CEI GREY | - | - | -30°C to +70°C | -5°C to +70°C | - | - |
| I20 | 3 / 4 | 0.34mm ² | PVC CEI GREY | - | - | -30°C to +70°C | -5°C to +70°C | - | YES |
| I26 | 5 | 0.34mm ² | PVC CEI GREY | - | - | -30°C to +70°C | -5°C to +70°C | - | YES |
| K03 | 4 / 5 | 18AWG | TPE YELLOW | UL ITC or PLC | I/II A/B 90°C/300V | max 105°C | - | - | - |
| K05 | 3 / 4 / 5 | 22AWG | TPE YELLOW | UL ITC or PLTC | I/II A/B 90°C/300V | max 105°C | - | - | - |
| P03 | 3 / 4 / 5 | 0.34mm ² | PUR / PVC BLACK | - | - | -30°C to +80°C, >7xO.D. | -5°C to +80°C, >15xO.D. | - | - |
| P04 | 4 | 0.50mm ² | PUR BLACK | - | - | -40°C to +90°C, >7.5xO.D. | -15°C to +90°C, >12.5xO.D. | - | - |
| P19 | 8 | 0.25mm ² | PUR BLACK | - | - | -40°C to +90°C, >7.5xO.D. | -15°C to +90°C, >12.5xO.D. | 2 000 000 cycles, >15xO.D. | YES |
| P20 | 3 / 4 / 5 | 0.34mm ² | PUR BLACK LS0H | - | - | -30°C to +80°C | - | - | YES |
| P82 | 3 / 4 / 5 | 0.34mm ² | PUR IRR ORANGE | - | - | -50°C to +105°C, >5xO.D. | -40°C to +105°C, >7.5xO.D. | - | - |
| S19 | 8 | 0.25mm ² | PVC YELLOW | UL 2661/1569 | C22.2 II A 105°C/300V | -30°C to +105°C, >10xO.D. | -15°C to +105°C, >15xO.D. | - | YES |
| S20 | 3 / 4 / 5 | 0.34mm ² | PVC YELLOW | UL 2661/1731 | C22.2 II A 105°C/300V | -30°C to +105°C | - | - | YES |
| S26 | 5 | 0.34mm ² | PVC YELLOW | UL 2661/1731 | C22.2 II A 105°C/300V | -30°C to +105°C | - | - | YES |

| | | | | | | | | | | |
|---|---------|-----------------------------|---------|--------|-----------------|----------------|-----------------------------------|--|--|--|
| THIS DRAWING CONTAINS INFORMATION THAT IS PROPRIETARY TO MOLEX ELECTRONIC TECHNOLOGIES, LLC AND SHOULD NOT BE USED WITHOUT WRITTEN PERMISSION | | | | | | | | | | |
| DIMENSION UNITS | SCALE | CURRENT REV DESC: | | | | | molex | | | |
| mm | 1:1 | | | | | | | | | |
| GENERAL TOLERANCES (UNLESS SPECIFIED) | | EC NO: 606310 | | | | | CSE M12 XP AC FE STR MA STR XM DE | | | |
| ANGULAR TOL | ± 1.0 ° | DRWN: SSM 2018/10/12 | | | | | | | | |
| 4 PLACES | ± | CHK'D: SSM 2018/10/22 | | | | | | | | |
| 3 PLACES | ± | APPR: RSILLER 2018/10/22 | | | | | PRODUCT CUSTOMER DRAWING | | | |
| 2 PLACES | ± 0.05 | INITIAL REVISION: | | | | | DOCUMENT NUMBER | | | |
| 1 PLACE | ± 0.3 | DRWN: JMARSZALEK 2016/09/19 | | | | | 1200668165 | | | |
| 0 PLACES | ± 0.5 | APPR: RSILLER 2016/12/08 | | | | | PSD 000 A2 | | | |
| DRAFT WHERE APPLICABLE MUST REMAIN WITHIN DIMENSIONS | | THIRD ANGLE PROJECTION | DRAWING | SERIES | MATERIAL NUMBER | CUSTOMER | SHEET NUMBER | | | |
| | | | A3-SIZE | 120066 | SEE PART LIST | GENERAL MARKET | 3 OF 6 | | | |


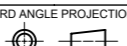
PART LIST

| No. | Part No. | Engineering No. | Cable Length |
|-----|------------|-----------------|--------------|
| 1 | 1200070023 | 884030S20M060H | 6m |
| 2 | 1200070095 | 883030I03M003 | 0.3m |
| 3 | 1200070096 | 883030I03M006 | 0.6m |
| 4 | 1200070097 | 883030I03M010 | 1m |
| 5 | 1200070098 | 883030I03M020 | 2m |
| 6 | 1200070099 | 883030I03M030 | 3m |
| 7 | 1200070100 | 883030I03M050 | 5m |
| 8 | 1200070101 | 883030I03M100 | 10m |
| 9 | 1200070110 | 883030S20M010 | 1m |
| 10 | 1200070111 | 883030S20M020 | 2m |
| 11 | 1200070480 | 884030I03M010 | 1m |
| 12 | 1200070481 | 884030I03M020 | 2m |
| 13 | 1200070483 | 884030I03M050 | 5m |
| 14 | 1200070484 | 884030I03M060 | 6m |
| 15 | 1200070485 | 884030I03M100 | 10m |
| 16 | 1200070494 | 884030P82M0057 | 0.5m |
| 17 | 1200070499 | 884030S20M020 | 2m |
| 18 | 1200070500 | 884030S20M030 | 3m |
| 19 | 1200070502 | 884030S20M050 | 5m |
| 20 | 1200070504 | 884030S20M100 | 10m |
| 21 | 1200070597 | 885030S26M010 | 1m |
| 22 | 1200070653 | 884030E52M200A | 20m |
| 23 | 1200070774 | 884030I03M006 | 0.6m |
| 24 | 1200070785 | 884030I03M030 | 3m |
| 25 | 1200070798 | 884030P82M010 | 1m |
| 26 | 1200070799 | 884030P82M020 | 2m |
| 27 | 1200070867 | 884030E52M100A | 10m |
| 28 | 1200070890 | 885030I26M010 | 1m |
| 29 | 1200070891 | 885030I26M020 | 2m |
| 30 | 1200070892 | 885030I26M030 | 3m |
| 31 | 1200070937 | 884030P82M100 | 10m |
| 32 | 1200070956 | 883030E52M020A | 2m |
| 33 | 1200070961 | 885030I03M030 | 3m |
| 34 | 1200071026 | 884030E52M010A | 1m |
| 35 | 1200071035 | 884030S20M010H | 1m |
| 36 | 1200071066 | 884030P82M0067 | 0.6m |
| 37 | 1200071067 | 884030P82M0037 | 0.3m |
| 38 | 1200071068 | 884030P82M0107 | 1m |
| 39 | 1200071069 | 884030P82M0157 | 1.5m |
| 40 | 1200071088 | 884030P82M0207 | 2m |
| 41 | 1200071137 | 884030S20M030H | 3m |
| 42 | 1200071141 | 884030S20M020H | 2m |
| 43 | 1200071161 | 884030S20M100H | 10m |
| 44 | 1200071162 | 884030P82M006 | 0.6m |
| 45 | 1200071178 | 884030S20M006H | 0.6m |
| 46 | 1200071188 | 884030S20M050H | 5m |
| 47 | 1200071237 | 884030S20M005H | 0.5m |

| No. | Part No. | Engineering No. | Cable Length |
|-----|------------|-----------------|--------------|
| 48 | 1200071238 | 884030S20M015H | 1.5m |
| 49 | 1200071254 | 884030P82M050 | 5m |
| 50 | 1200071264 | 884030S20M040H | 4m |
| 51 | 1200071272 | 884030S20M005 | 0.5m |
| 52 | 1200071279 | 885030I26M050 | 5m |
| 53 | 1200071338 | 884030I20M030 | 3m |
| 54 | 1200071343 | 883030E52M003A | 0.3m |
| 55 | 1200071428 | 884030P82M0407 | 4m |
| 56 | 1200071501 | 884030P82M003 | 0.3m |
| 57 | 1200071580 | 884030P82M030 | 3m |
| 58 | 1200071582 | 884030P82M015 | 1.5m |
| 59 | 1200071624 | 884030E52M030A | 3m |
| 60 | 1200071627 | 884030I03M0205 | 2m |
| 61 | 1200071647 | 884030P82M0307 | 3m |
| 62 | 1200072106 | 885030I26M005 | 0.5m |
| 63 | 1200072359 | 885030I26M015 | 1.5m |
| 64 | 1200072601 | 884030P82M0201 | 2m |
| 65 | 1200658167 | 884030P82M0807 | 8m |
| 66 | 1200658808 | 884030P04M100 | 10m |
| 67 | 1200660271 | 884030A09M020 | 2m |
| 68 | 1200660273 | 884030A09M0208 | 2m |
| 69 | 1200660277 | 884030A09M030 | 3m |
| 70 | 1200660286 | 884030A09M0508 | 5m |
| 71 | 1200660291 | 884030A09M070 | 7m |
| 72 | 1200660683 | 884030K05M003 | 0.3m |
| 73 | 1200660684 | 884030K05M005 | 0.5m |
| 74 | 1200660686 | 884030K05M006 | 0.6m |
| 75 | 1200660687 | 884030K05M010 | 1m |
| 76 | 1200660688 | 884030K05M015 | 1.5m |
| 77 | 1200660689 | 884030K05M020 | 2m |
| 78 | 1200660690 | 884030K05M030 | 3m |
| 79 | 1200660691 | 884030K05M040 | 4m |
| 80 | 1200660692 | 884030K05M050 | 5m |
| 81 | 1200660693 | 884030K05M060 | 6m |
| 82 | 1200660694 | 884030K05M080 | 8m |
| 83 | 1200660695 | 884030K05M100 | 10m |
| 84 | 1200660696 | 884030K05M120 | 12m |
| 85 | 1200660697 | 884030K05M150 | 15m |
| 86 | 1200660698 | 884030K05M180 | 18m |
| 87 | 1200660699 | 884030K05M230 | 23m |
| 88 | 1200660700 | 884030K05M300 | 30m |
| 89 | 1200660857 | 884030B02M020 | 2m |
| 90 | 1200660860 | 884030B02M030 | 3m |
| 91 | 1200660862 | 884030B02M050 | 5m |
| 92 | 1200660867 | 884030B02M100 | 10m |
| 93 | 1200660878 | 884030K03M003 | 0.3m |
| 94 | 1200660880 | 884030K03M006 | 0.6m |

| No. | Part No. | Engineering No. | Cable Length |
|-----|------------|-----------------|--------------|
| 95 | 1200660881 | 884030K03M010 | 1m |
| 96 | 1200660883 | 884030K03M020 | 2m |
| 97 | 1200660887 | 884030K03M030 | 3m |
| 98 | 1200660891 | 884030K03M040 | 4m |
| 99 | 1200660895 | 884030K03M050 | 5m |
| 100 | 1200660898 | 884030K03M060 | 6m |
| 101 | 1200660899 | 884030K03M070 | 7m |
| 102 | 1200660900 | 884030K03M080 | 8m |
| 103 | 1200660901 | 884030K03M090 | 9m |
| 104 | 1200660902 | 884030K03M100 | 10m |
| 105 | 1200660904 | 884030K03M120 | 12m |
| 106 | 1200660905 | 884030K03M140 | 14m |
| 107 | 1200660906 | 884030K03M150 | 15m |
| 108 | 1200660907 | 884030K03M160 | 16m |
| 109 | 1200660909 | 884030K03M200 | 20m |
| 110 | 1200660911 | 884030K03M250 | 25m |
| 111 | 1200660915 | 884030K05M070 | 7m |
| 112 | 1200660918 | 884030K05M140 | 14m |
| 113 | 1200660921 | 884030K05M200 | 20m |
| 114 | 1200660922 | 884030K05M210 | 21m |
| 115 | 1200661034 | 885030K03M010 | 1m |
| 116 | 1200661035 | 885030K03M020 | 2m |
| 117 | 1200661036 | 885030K03M030 | 3m |
| 118 | 1200661038 | 885030K03M050 | 5m |
| 119 | 1200661042 | 885030K03M090 | 9m |
| 120 | 1200661043 | 885030K03M100 | 10m |
| 121 | 1200661044 | 885030K03M150 | 15m |
| 122 | 1200661434 | 884030E52M020A | 2m |
| 123 | 1200661438 | 884030K05M250 | 25m |
| 124 | 1200661441 | 884030K05M190 | 19m |
| 125 | 1200661472 | 884030E52M050A | 5m |
| 126 | 1200661543 | 884030K03M180 | 18m |
| 127 | 1200661574 | 888030S19M120 | 12m |
| 128 | 1200661575 | 888030S19M030 | 3m |
| 129 | 1200661576 | 888030S19M050 | 5m |
| 130 | 1200661577 | 888030S19M100 | 10m |
| 131 | 1200661664 | 885030K03M005 | 0.5m |
| 132 | 1200661685 | 885030K03M120 | 12m |

| No. | Part No. | Engineering No. | Cable Length |
|-----|------------|-----------------|--------------|
| 133 | 1200661906 | 884030K03M500 | 50m |
| 134 | 1200665012 | 885030P82M0307 | 3m |
| 135 | 1200665368 | 884030K05M280 | 28m |
| 136 | 1200668001 | 884030K03M110 | 11m |
| 137 | 1200668003 | 884030K03M005 | 0.5m |
| 138 | 1200668004 | 884030K03M240 | 24m |
| 139 | 1200668067 | 884030P82M0507 | 5m |
| 140 | 1200668068 | 884030S20M010 | 1m |
| 141 | 1200668082 | 885030I26M006 | 0.6m |
| 142 | 1200668090 | 885030S26M020H | 2m |
| 143 | 1200668098 | 888030P19M010 | 1m |
| 144 | 1200668099 | 888030P19M050 | 5m |
| 145 | 1200668165 | 885030I03M100 | 10m |
| 146 | 1200668172 | 883030S20M050 | 5m |
| 147 | 1200668187 | 884030P82M050H | 5m |
| 148 | 1200668252 | 888030P19M030 | 3m |
| 149 | 1200668281 | 885030I26M025 | 2.5m |
| 150 | 1200668310 | 883030S20M005 | 0.5m |
| 151 | 1200668349 | 884030P82M0101 | 1m |
| 152 | 1200668371 | 883030I03M040 | 4m |
| 153 | 1200668372 | 884030I03M040 | 4m |
| 154 | 1200668505 | 884030P20M010 | 1m |
| 155 | 1200668506 | 884030P20M020 | 2m |
| 156 | 1200668507 | 884030P20M050 | 5m |
| 157 | 1200668508 | 884030P20M100 | 10m |
| 158 | 1200668517 | 884030P82M1007 | 10m |
| 159 | 1200668615 | 884030K05M050H | 5m |
| 160 | 1200668616 | 884030K05M100H | 10m |
| 161 | 1200668632 | 883030I03M020Y | 2m |
| 162 | 1200668633 | 883030I03M030Y | 3m |
| 163 | 1200668634 | 883030I03M050Y | 5m |
| 164 | 1200668637 | 884030I03M020Y | 2m |
| 165 | 1200668638 | 884030I03M100Y | 10m |
| 166 | 1200668639 | 885030I26M010Y | 1m |
| 167 | 1200668640 | 885030I26M020Y | 2m |
| 168 | 1200668641 | 885030I26M030Y | 3m |
| 169 | 1200668642 | 885030I03M030Y | 3m |
| 170 | 1200668643 | 884030P82M0067Y | 0.6m |

| | | | | | | | | | |
|---|--|---------|--|---|--|---------------|--|----------------|--|
| THIS DRAWING CONTAINS INFORMATION THAT IS PROPRIETARY TO MOLEX ELECTRONIC TECHNOLOGIES, LLC AND SHOULD NOT BE USED WITHOUT WRITTEN PERMISSION | | | | | | | | | |
| DIMENSION UNITS | | SCALE | | CURRENT REV DESC: | | | | | |
| mm | | 1:1 | |  CSE M12 XP AC FE STR MA STR XM DE PRODUCT CUSTOMER DRAWING DOCUMENT NUMBER: 1200668165 DOC TYPE: PSD DOC PART: 000 REVISION: A2 | | | | | |
| GENERAL TOLERANCES (UNLESS SPECIFIED) | | | | | | | | | |
| ANGULAR TOL ± 1.0° | | | | | | | | | |
| 4 PLACES ± | | | | | | | | | |
| 3 PLACES ± | | | | | | | | | |
| 2 PLACES ± 0.05 | | | | | | | | | |
| 1 PLACE ± 0.3 | | | | | | | | | |
| 0 PLACES ± 0.5 | | | | | | | | | |
| DRAFT WHERE APPLICABLE MUST REMAIN WITHIN DIMENSIONS | | | | | | | | | |
| THIRD ANGLE PROJECTION | | DRAWING | | | | | | | |
|  | | A3-SIZE | | 120066 | | SEE PART LIST | | GENERAL MARKET | |

PART LIST

| No. | Part No. | Engineering No. | Cable Length |
|-----|------------|-----------------|--------------|
| 171 | 1200668644 | 884030P82M0107Y | 1m |
| 172 | 1200668645 | 884030P82M0207Y | 2m |
| 173 | 1200668696 | 883030I03M030A | 3m |
| 174 | 1200668697 | 883030I03M050A | 5m |
| 175 | 1200668698 | 883030I03M100A | 10m |
| 176 | 1200668699 | 883030I03M200A | 20m |
| 177 | 1200668735 | 884030P82M0707Y | 7m |
| 178 | 1200668736 | 885030I26M015Y | 1.5m |
| 179 | 1200668773 | 885030P82M0107 | 1m |
| 180 | 1200668873 | 885030I26M050Y | 5m |
| 181 | 1200669113 | 884030A09M0308 | 3m |
| 182 | 1200669118 | 884030P82M0307Y | 3m |
| 183 | 1200669149 | 883030I03M010Y | 1m |
| 184 | 1200669218 | 885030I03M100Y | 10m |
| 185 | 1200669227 | 884030K05M500 | 50m |
| 186 | 1200669228 | 884030K05M600 | 60m |
| 187 | 1200718014 | 884030P82M0607 | 6m |
| 188 | 1200060049 | 884030E03M050 | 5m |
| 189 | 1200060050 | 884030P03M015 | 1.5m |
| 190 | 1200060051 | 884030P03M030 | 3m |
| 191 | 1200070081 | 883030E03M006 | 0.6m |
| 192 | 1200070083 | 883030E03M010 | 1m |
| 193 | 1200070085 | 883030E03M020 | 2m |
| 194 | 1200070086 | 883030E03M0205 | 2m |
| 195 | 1200070088 | 883030E03M030 | 3m |
| 196 | 1200070091 | 883030E03M050 | 5m |
| 197 | 1200070092 | 883030E03M0505 | 5m |
| 198 | 1200070093 | 883030E03M100 | 10m |
| 199 | 1200070102 | 883030P03M003 | 0.3m |
| 200 | 1200070104 | 883030P03M006 | 0.6m |
| 201 | 1200070105 | 883030P03M100 | 10m |
| 202 | 1200070470 | 884030E03M003 | 0.3m |
| 203 | 1200070472 | 884030E03M006 | 0.6m |
| 204 | 1200070473 | 884030E03M010 | 1m |
| 205 | 1200070474 | 884030E03M020 | 2m |
| 206 | 1200070475 | 884030E03M030 | 3m |
| 207 | 1200070476 | 884030E03M100 | 10m |
| 208 | 1200070486 | 884030P03M003 | 0.3m |
| 209 | 1200070487 | 884030P03M006 | 0.6m |
| 210 | 1200070488 | 884030P03M010 | 1m |
| 211 | 1200070489 | 884030P03M020 | 2m |
| 212 | 1200070490 | 884030P03M050 | 5m |
| 213 | 1200070586 | 885030E03M030 | 3m |
| 214 | 1200070906 | 885030E03M010 | 1m |
| 215 | 1200070969 | 885030E03M050 | 5m |
| 216 | 1200070970 | 885030E03M020 | 2m |

| No. | Part No. | Engineering No. | Cable Length |
|-----|------------|-----------------|--------------|
| 217 | 1200071006 | 883030E03M020H | 2m |
| 218 | 1200071029 | 884030P03M100 | 10m |
| 219 | 1200071047 | 883030P03M050H | 5m |
| 220 | 1200071053 | 883030P03M150 | 15m |
| 221 | 1200071114 | 883030P03M020H | 2m |
| 222 | 1200071122 | 883030P03M030H | 3m |
| 223 | 1200071123 | 883030P03M010H | 1m |
| 224 | 1200071131 | 883030P03M0201 | 2m |
| 225 | 1200071199 | 884030E03M200 | 20m |
| 226 | 1200071273 | 883030P03M100H | 10m |
| 227 | 1200071288 | 883030P03M060 | 6m |
| 228 | 1200071500 | 885030E03M005 | 0.5m |
| 229 | 1200071583 | 885030E03M080 | 8m |
| 230 | 1200071594 | 884030E03M015 | 1.5m |
| 231 | 1200071596 | 884030E03M060 | 6m |
| 232 | 1200071703 | 884030E03M0205 | 2m |
| 233 | 1200071707 | 884030E03M0505 | 5m |
| 234 | 1200071715 | 884030E03M150 | 15m |
| 235 | 1200071774 | 884030E03M020H | 2m |
| 236 | 1200071793 | 884030E03M1501 | 15m |
| 237 | 1200071881 | 884030E03M1005 | 10m |
| 238 | 1200071947 | 885030P03M007 | 0.7m |
| 239 | 1200071948 | 885030E03M040 | 4m |
| 240 | 1200072010 | 884030P03M050H | 5m |
| 241 | 1200072081 | 885030E03M035 | 3.5m |
| 242 | 1200072092 | 884030E03M040 | 4m |
| 243 | 1200072104 | 883030P03M040 | 4m |
| 244 | 1200072105 | 884030P03M200 | 20m |
| 245 | 1200072172 | 884030E03M050H | 5m |
| 246 | 1200072544 | 884030E03M120 | 12m |
| 247 | 1200072649 | 884030P03M0105 | 1m |
| 248 | 1200072650 | 884030P03M0505 | 5m |
| 249 | 1200072658 | 883030P03M120 | 12m |
| 250 | 1200072697 | 885030E03M060 | 6m |
| 251 | 1200072744 | 884030E03M0501 | 5m |
| 252 | 1200072762 | 884030P03M0101 | 1m |
| 253 | 1200072763 | 884030P03M0201 | 2m |
| 254 | 1200072764 | 884030P03M0301 | 3m |
| 255 | 1200072803 | 884030P03M040 | 4m |
| 256 | 1200072804 | 884030P03M060 | 6m |
| 257 | 1200073083 | 885030P03M006 | 0.6m |
| 258 | 1200660166 | 883030A09M010 | 1m |
| 260 | 1200660261 | 884030A09M005 | 0.5m |
| 261 | 1200660262 | 884030A09M006 | 0.6m |
| 262 | 1200660266 | 884030A09M010 | 1m |

| No. | Part No. | Engineering No. | Cable Length |
|-----|------------|-----------------|--------------|
| 263 | 1200660269 | 884030A09M015 | 1.5m |
| 264 | 1200660294 | 884030A09M080 | 8m |
| 265 | 1200660299 | 884030A09M1008 | 10m |
| 266 | 1200660434 | 885030A09M050 | 5m |
| 267 | 1200660498 | 883030P03M010 | 1m |
| 268 | 1200660500 | 883030P03M020 | 2m |
| 269 | 1200660501 | 883030P03M030 | 3m |
| 270 | 1200660502 | 883030P03M050 | 5m |
| 272 | 1200661037 | 885030K03M040 | 4m |
| 273 | 1200661039 | 885030K03M060 | 6m |
| 274 | 1200661041 | 885030K03M080 | 8m |
| 275 | 1200661684 | 885030K03M300 | 30m |
| 276 | 1200661686 | 885030K03M180 | 18m |
| 277 | 1200661687 | 885030K03M230 | 23m |
| 278 | 1200665009 | 884030E03M005 | 0.5m |
| 279 | 1200665031 | 884030P03M100H | 10m |
| 280 | 1200665370 | 884030P03M205G | 20m |
| 281 | 1200668045 | 883030P03M005 | 0.5m |
| 282 | 1200668062 | 884030E03M010H | 1m |
| 283 | 1200668081 | 885030E57M100A | 10m |
| 284 | 1200668083 | 885030P03M005 | 0.5m |
| 285 | 1200668084 | 885030P03M010 | 1m |
| 286 | 1200668174 | 884030H09M030 | 3m |
| 287 | 1200668197 | 883030H09M020 | 2m |
| 288 | 1200668198 | 883030H09M050 | 5m |
| 289 | 1200668208 | 883030E03M150 | 15m |
| 290 | 1200668234 | 884030H09M020 | 2m |
| 291 | 1200668244 | 884030H09M050 | 5m |
| 292 | 1200668293 | 883030D02M005 | 0.5m |
| 293 | 1200668338 | 885030E03M006 | 0.6m |
| 294 | 1200668347 | 885030E03M100 | 10m |
| 295 | 1200668370 | 883030E03M040 | 4m |
| 296 | 1200668373 | 883030H09M006 | 0.6m |
| 297 | 1200668374 | 883030H09M010 | 1m |
| 298 | 1200668375 | 883030H09M030 | 3m |
| 299 | 1200668376 | 883030H09M040 | 4m |
| 300 | 1200668377 | 883030H09M100 | 10m |


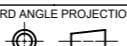
| No. | Part No. | Engineering No. | Cable Length |
|-----|------------|-----------------|--------------|
| 301 | 1200668378 | 884030H09M006 | 0.6m |
| 302 | 1200668379 | 884030H09M010 | 1m |
| 303 | 1200668380 | 884030H09M040 | 4m |
| 304 | 1200668381 | 884030H09M100 | 10m |
| 305 | 1200668384 | 884030P03M010H | 1m |
| 306 | 1200668486 | 884030H09M023 | 2.3m |
| 307 | 1200668487 | 885030E03M200 | 20m |
| 308 | 1200668497 | 885030H09M010 | 1m |
| 309 | 1200668500 | 885030H09M020 | 2m |
| 310 | 1200668501 | 885030H09M050 | 5m |
| 311 | 1200668502 | 885030H09M092 | 9.2m |
| 312 | 1200668509 | 885030H09M006 | 0.6m |
| 313 | 1200668510 | 885030H09M030 | 3m |
| 314 | 1200668511 | 885030H09M100 | 10m |
| 315 | 1200668521 | 885030E03M250 | 25m |
| 316 | 1200668528 | 885030E03M020H | 2m |
| 317 | 1200668530 | 885030E03M010H | 1m |
| 318 | 1200668548 | 884030H09M006H | 0.6m |
| 319 | 1200668549 | 884030H09M010H | 1m |
| 320 | 1200668550 | 884030H09M050H | 5m |
| 321 | 1200668609 | 885030E02M050 | 5m |
| 322 | 1200668646 | 883030P03M030HY | 3m |
| 323 | 1200668652 | 885030E03M070 | 7m |
| 324 | 1200668656 | 885030E02M100 | 10m |
| 325 | 1200668657 | 885030E02M020 | 2m |
| 326 | 1200668661 | 884030E02M0031 | 0.3m |
| 327 | 1200668662 | 883030E02M006 | 0.6m |
| 328 | 1200668664 | 885030E02M010 | 1m |
| 329 | 1200668672 | 884030E03M0051 | 0.5m |
| 330 | 1200668674 | 885030E03M150 | 15m |
| 331 | 1200668683 | 885030H09M150 | 15m |
| 332 | 1200668684 | 885030H09M200 | 20m |
| 333 | 1200668687 | 884030P03M005 | 0.5m |
| 334 | 1200668689 | 884030H08M030 | 3m |
| 335 | 1200668690 | 883030P03M020YH | 2m |
| 336 | 1200668691 | 883030P03M010YH | 1m |
| 337 | 1200668708 | 885030E02M050Y | 5m |
| 338 | 1200668712 | 883030P03M100HY | 10m |

THIS DRAWING CONTAINS INFORMATION THAT IS PROPRIETARY TO MOLEX ELECTRONIC TECHNOLOGIES, LLC AND SHOULD NOT BE USED WITHOUT WRITTEN PERMISSION

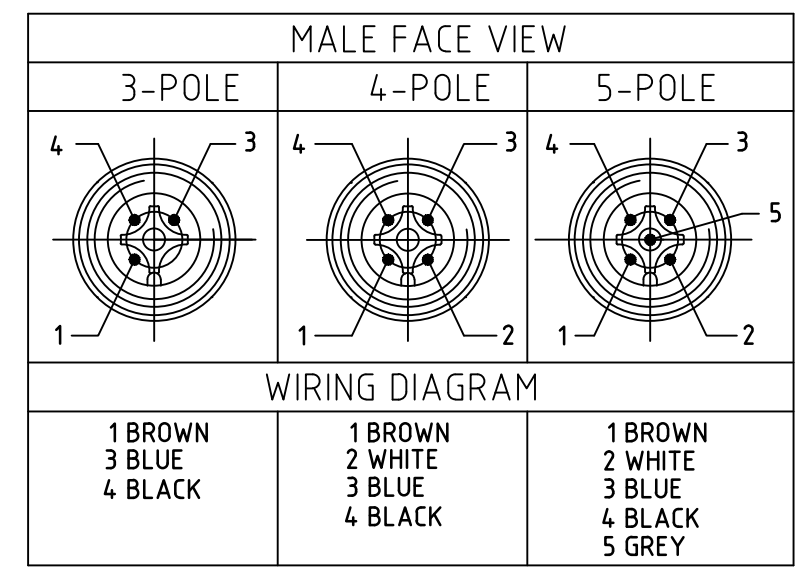
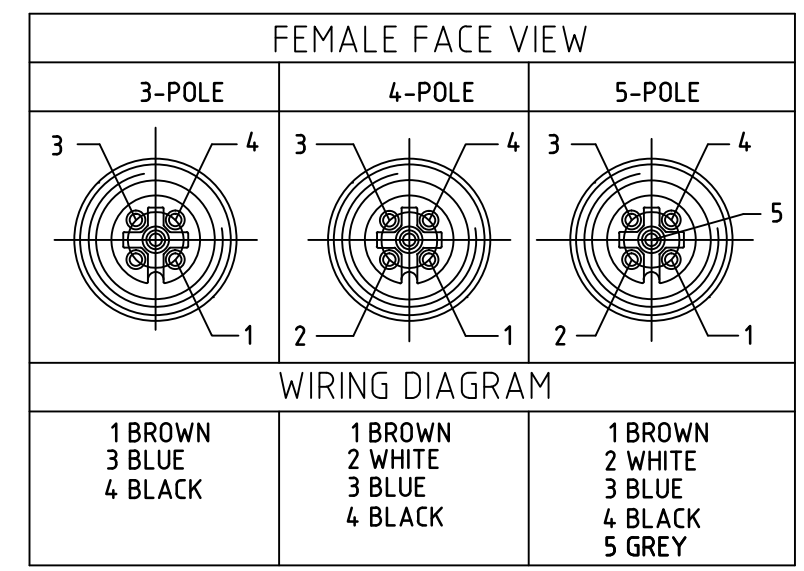
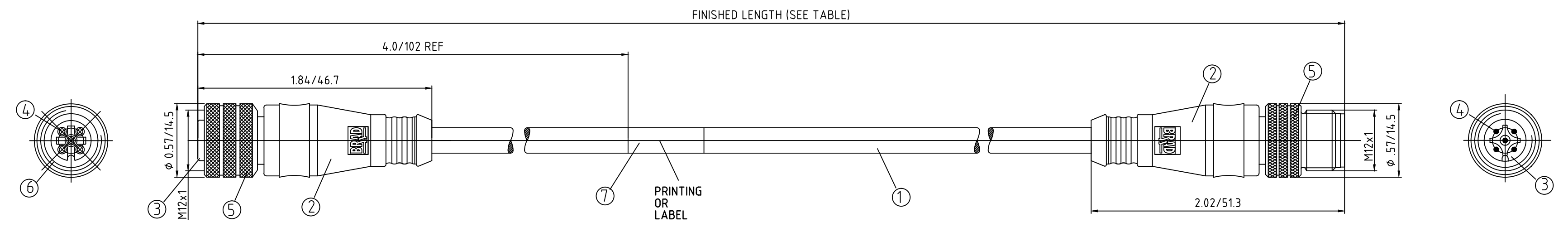
| | | | |
|--|--------|--|-----------------------------------|
| DIMENSION UNITS | SCALE | CURRENT REV DESC: | molex |
| mm | 1:1 | | |
| GENERAL TOLERANCES (UNLESS SPECIFIED) | | EC NO: 606310 DRWN: SSM 2018/10/12 CHK'D: SSM 2018/10/22 APPR: RSILLER 2018/10/22 | CSE M12 XP AC FE STR MA STR XM DE |
| ANGULAR TOL | ± 1.0° | | |
| 4 PLACES | ± | INITIAL REVISION: DRWN: JMARSZALEK 2016/09/19 APPR: RSILLER 2016/12/08 | PRODUCT CUSTOMER DRAWING |
| 3 PLACES | ± | | |
| 2 PLACES | ± 0.05 | DOCUMENT NUMBER 1200668165 | DOC TYPE PSD |
| 1 PLACE | ± 0.3 | | |
| 0 PLACES | ± 0.5 | DOC PART 000 | REVISION A2 |
| DRAFT WHERE APPLICABLE MUST REMAIN WITHIN DIMENSIONS | | | |
| THIRD ANGLE PROJECTION | | DRAWING A3-SIZE | SHEET NUMBER 5 OF 6 |

PART LIST

| No. | Part No. | Engineering No. | Cable Length |
|-----|------------|-----------------|--------------|
| 339 | 1200668713 | 883030P03M050HY | 5m |
| 340 | 1200668714 | 884030H09M0209 | 2m |
| 341 | 1200668715 | 884030H09M003 | 0.3m |
| 342 | 1200668718 | 884030E03M250 | 25m |
| 343 | 1200668719 | 884030E03M300 | 30m |
| 344 | 1200668720 | 884030P03M150 | 15m |
| 345 | 1200668721 | 884030P03M250 | 25m |
| 346 | 1200668722 | 884030P03M300 | 30m |
| 347 | 1200668723 | 884030P03M350 | 35m |
| 348 | 1200668724 | 884030P03M400 | 40m |
| 349 | 1200668737 | 884030H09M055 | 5.5m |
| 350 | 1200668754 | 884030P03M020H | 2m |
| 351 | 1200668770 | 884030E03M350 | 35m |
| 352 | 1200668771 | 884030E03M400 | 40m |
| 353 | 1200668772 | 885030P03M003 | 0.3m |
| 354 | 1200668784 | 885030E03M300 | 30m |
| 355 | 1200668785 | 885030E03M350 | 35m |
| 356 | 1200668786 | 884030E03M070 | 7m |
| 357 | 1200668794 | 885030P03M006H | 0.6m |
| 358 | 1200668795 | 885030P03M010H | 1m |
| 359 | 1200668815 | 884030P03M0805 | 8m |
| 360 | 1200668903 | 885030P03C130 | 0.13m |
| 361 | 1200668972 | 885030E03M003 | 0.3m |
| 362 | 1200668973 | 885030E03M025 | 2.5m |
| 363 | 1200668980 | 885030E03M080H | 8m |
| 364 | 1200668981 | 885030E03M040H | 4m |
| 365 | 1200668982 | 885030E03M060H | 6m |
| 366 | 1200668985 | 885030E03M030H | 3m |
| 367 | 1200669134 | 883030H09M015 | 1.5m |
| 368 | 1200669135 | 883030H09M200 | 20m |
| 369 | 1200669153 | 883030E03M0101 | 1m |
| 370 | 1200669350 | 883030H09M030H | 3m |
| 371 | 1200669423 | 884030E03M025 | 2.5m |
| 372 | 1200669424 | 884030E03M035 | 3.5m |
| 373 | 1200669499 | 883030E03M080 | 8m |
| 374 | 1200669500 | 883030E03M120 | 12m |
| 375 | 1200669501 | 883030E03M140 | 14m |
| 376 | 1200669502 | 883030E03M160 | 16m |
| 377 | 1200669503 | 883030E03M180 | 18m |
| 378 | 1200669508 | 884030E03M080 | 8m |
| 379 | 1200669509 | 884030E03M140 | 14m |
| 380 | 1200669510 | 884030E03M160 | 16m |
| 381 | 1200669511 | 883030E03M060 | 6m |
| | | | |
| | | | |

| | | | | | | | | | |
|---|-------|---|---------|--------|---|----------------|----------|--------------|----------|
| THIS DRAWING CONTAINS INFORMATION THAT IS PROPRIETARY TO MOLEX ELECTRONIC TECHNOLOGIES, LLC AND SHOULD NOT BE USED WITHOUT WRITTEN PERMISSION | | | | | | | | | |
| DIMENSION UNITS | SCALE | CURRENT REV DESC: | | |  | | | | |
| mm | 1:1 | | | | | | | | |
| GENERAL TOLERANCES (UNLESS SPECIFIED) | | EC NO: 606310 | | | CSE M12 XP AC FE STR MA STR XM DE | | | | |
| ANGULAR TOL ± 1.0° | | DRWN: SSM 2018/10/12 | | | | | | | |
| 4 PLACES ± | | CHK'D: SSM 2018/10/22 | | | PRODUCT CUSTOMER DRAWING | | | | |
| 3 PLACES ± | | APPR: RSILLER 2018/10/22 | | | | | | | |
| 2 PLACES ± 0.05 | | INITIAL REVISION: | | | DOCUMENT NUMBER | | DOC TYPE | DOC PART | REVISION |
| 1 PLACE ± 0.3 | | DRWN: JMARSZALEK 2016/09/19 | | | 1200668165 | | PSD | 000 | A2 |
| 0 PLACES ± 0.5 | | APPR: RSILLER 2016/12/08 | | | | | | | |
| DRAFT WHERE APPLICABLE MUST REMAIN WITHIN DIMENSIONS | | THIRD ANGLE PROJECTION | DRAWING | SERIES | MATERIAL NUMBER | CUSTOMER | | SHEET NUMBER | |
| | |  | A3-SIZE | 120066 | SEE PART LIST | GENERAL MARKET | | 6 OF 6 | |

| | | | | |
|-----------------|----|--------------|------------|----------|
| DOCUMENT STATUS | P1 | RELEASE DATE | 2018/10/22 | 12:08:11 |
|-----------------|----|--------------|------------|----------|



CONNECTOR SPECIFICATION:

| | |
|----------------------------|---------------------------------------|
| VOLTAGE RATING 3 - 4 PIN | 250V per IEC 60664 |
| VOLTAGE RATING 5 PIN | 60V per IEC 60664 250V per UL 2238 |
| AMPERAGE RATING | max. 4 AMPS |
| PROTECTION | IP67 |
| OPERATING TEMPERATURE | -20°C TO 105°C |
| ASSEMBLY IS RoHS COMPLIANT | |

88X030K03XXXX

POLES
3
4
5

LENGTH
M010 - 1 METER
M100 - 10 METER
F050 - 5 FEET
F500 - 50 FEET

| ITEM | COMPONENT | MATERIAL | FINISH |
|------|---|--------------|------------------|
| 7 | LABLE | MYLAR | BLACK/YELLOW |
| 6 | O-RING | VITON | RED |
| 5 | COUPLER | BRASS | TEFLON/NICKEL |
| 4 | SOCKET/PIN CONTACT | COPPER ALLOY | GOLD OVER NICKEL |
| 3 | INSERT | PUR | BLACK |
| 2 | OVERMOLD | TPE | YELLOW |
| 1 | CABLE- #18/3-5 (COPPER STRANDING) 3/4/5 CONDUCT. 300V | JACKET: TPE | JACKET: YELLOW |

| | | | | | | | |
|--|--------------------------------|---------------------------------------|------------------------|--------------------------|---|-------------------------------|------------------------|
| ADD MATRIX EC NO.: IPG2017-0318 DRWN: BBRAUCH 2016/09/21 CHKD: RSILLER 2016/09/21 APPR: RSILLER 2010/02/03 B2 | QUALITY SYMBOL ▽=0 ▽/C=0 | GENERAL TOLERANCES (UNLESS SPECIFIED) | | DIMENSION STYLE IN/MM | SCALE NTS | DESIGN UNITS METRIC | THIRD ANGLE PROJECTION |
| | | 4 PLACES ±--- mm ±--- INCH | DRAWN BY LSTEMMLE | DATE 2010/02/01 | TITLE MICRO-CHANGE CORDSET 3/4/5 P. FE STR/ MA STR 18/3-5 YELLOW TPE CABLE | | |
| | | 3 PLACES ±--- mm ±.005 INCH | CHECKED BY TWOLDEGE | DATE 2010/02/02 | MOLEX INCORPORATED | | |
| | | 2 PLACES ±0.13 mm ±.010 INCH | APPROVED BY FPACHER | DATE 2010/02/03 | MATERIAL NO. SEE MATRIX | DOCUMENT NO. SD-120066-020 | SHEET NO. 1 OF 1 |
| | | 1 PLACE ±0.25 mm ±.020 INCH | ANGULAR ±.5° | | THIS DRAWING CONTAINS INFORMATION THAT IS PROPRIETARY TO MOLEX INCORPORATED AND SHOULD NOT BE USED WITHOUT WRITTEN PERMISSION | | |
| DRAFT WHERE APPLICABLE MUST REMAIN WITHIN DIMENSIONS | | | | | | | |