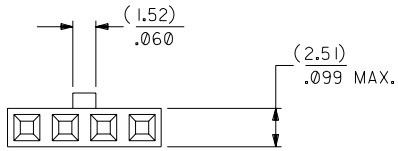


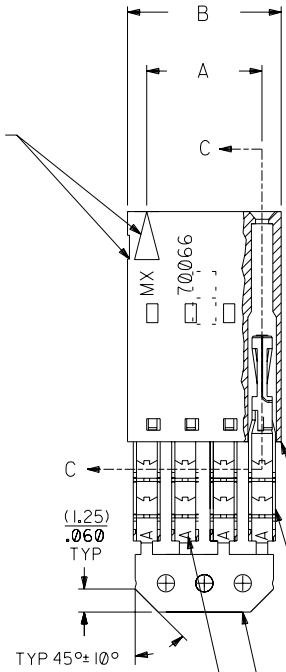
# OPTION E



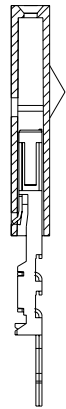
## NOTES:

- 1) TO BE USED WITH (24) AWG. STRANDED WIRE WITH (1.35)/.053 DIA. MAX. INSULATION.
- 2) SEE CHART FOR CIRCUIT SIZES.
- 3) STANDARD PACKAGING PER PK-70400-0001. OPTIONAL PACKAGING MAY BE AVAILABLE, REQUEST DWG. PK-70400
- 4) PARTS STACKABLE END TO END ON (2.54)/.100 CENTERS.
- 5) REFER TO PRODUCT SPECIFICATION: PS-70400.
- 6) SEE DWG. SDA-70400-\*\*\*\* (SHT. 5) FOR OPTIONAL HOUSING DETAILS.
- 7) 4 CIRCUIT SHOWN.
- 8) TO MATE WITH MOLEX PART NO.'S.: A-70390-\*\*\*\*, A-70392-\*\*\*\*, A-70374-\*\*\*\*, A-70376-\*\*\*\*, A-70542-\*\*\*\*, A-70552-\*\*\*\*, A-70544-\*\*\*\*, A-70554-\*\*\*\*, A-70546-\*\*\*\*, A-70556-\*\*\*\*, A-70558-\*\*\*\*.
- 9) 2 CIRCUIT ASSEMBLIES SUPPLIED AS GROUPED PAIRS.

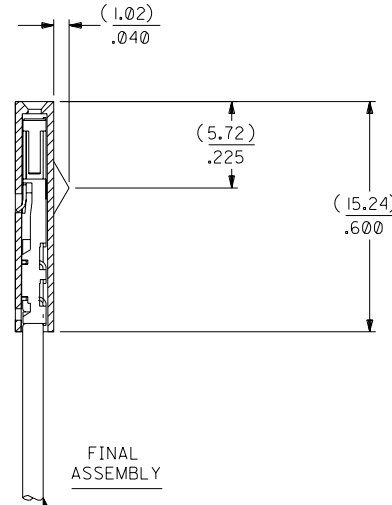
CIRCUIT NO. 1  
SLOT OR ARROW



## SECTION C-C



PRE-LOADED ASSEMBLY



FINAL ASSEMBLY

WIRE (SEE NOTE 1)

HOUSING PART NO. 70066-\*\*\*\*  
MATERIAL: G.F. POLYESTER, 94V-0

TERMINAL PART NO. 70028-\*\*\*\*  
MATERIAL: PHOSPHOR BRONZE  
PLATING PER ES-88-\*\*\*

TIN - .000150 MIN. TIN OVER  
.000050 MIN. NICKEL PLATE.

### I.D. SLOT CODE TO WIRE GAUGE CHART

I.D. SLOT CODE	WIRE GAUGE
A	24 AWG.

### PLATING CODE (STRIPE ON CARRIER STRIP)

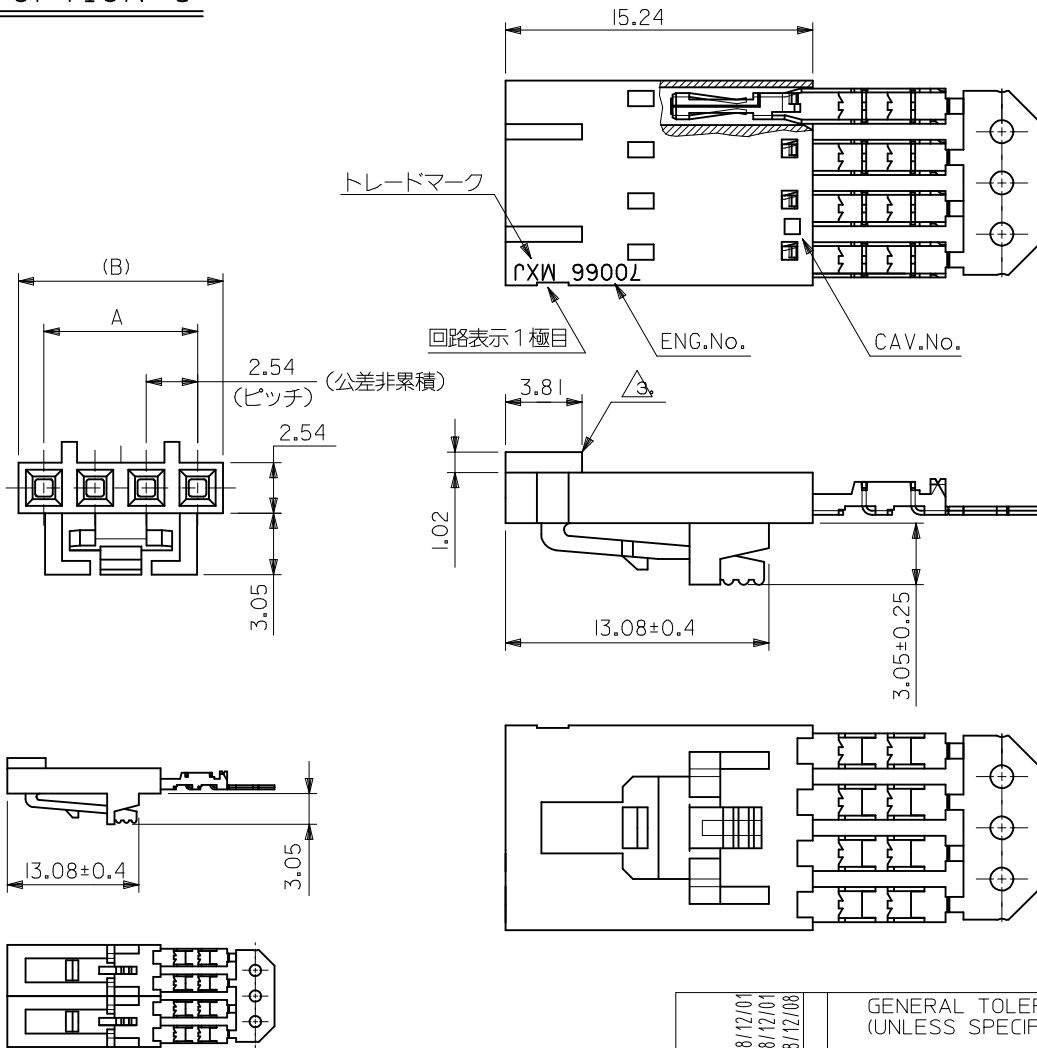
PLATING	COLOR
TIN	NONE

\*THE PRIMARY SHIPPING CARTON WILL BE LABELED "COMPLIANT TO ROHS DIRECTIVE 2002/95/EC AND ELV ANNEX II OF DIRECTIVE 2000/53/EC". CARTONS WITHOUT THIS LABEL MAY CONTAIN PRODUCT WITH LEAD.

CKT. SIZE	DIMENSIONS (INCH)		EDP. NO.	ENG. NO.
	A	B		
2	( 2.54 ) .100	( 5.05 ) .199		
3	( 5.08 ) .200	( 7.59 ) .299		
4	( 7.62 ) .300	( 10.13 ) .399		
5	( 10.16 ) .400	( 12.67 ) .499		
6	( 12.70 ) .500	( 15.21 ) .599		
7	( 15.24 ) .600	( 17.75 ) .699		
8	( 17.78 ) .700	( 20.29 ) .799		
9	( 20.32 ) .800	( 22.83 ) .899		
10	( 22.86 ) .900	( 25.37 ) .999		
11	( 25.54 ) 1.000	( 27.91 ) 1.099		
12	( 27.94 ) 1.100	( 30.45 ) 1.199		
13	( 30.48 ) 1.200	( 32.99 ) 1.299		
14	( 33.02 ) 1.300	( 35.53 ) 1.399		
15	( 35.56 ) 1.400	( 38.07 ) 1.499		
16	( 38.01 ) 1.500	( 40.61 ) 1.599		
17	( 40.64 ) 1.600	( 43.15 ) 1.699		
18	( 43.18 ) 1.700	( 45.69 ) 1.799		
19	( 45.72 ) 1.800	( 48.23 ) 1.899		
20	( 48.26 ) 1.900	( 50.77 ) 1.999		
21	( 50.80 ) 2.000	( 53.31 ) 2.099		
22	( 53.34 ) 2.100	( 55.85 ) 2.199		
23	( 55.88 ) 2.200	( 58.39 ) 2.299		
24	( 58.42 ) 2.300	( 60.93 ) 2.399		
25	( 60.96 ) 2.400	( 63.47 ) 2.499		

DIMENSIONS SHOWN (METRIC) INCH UNLESS OTHERWISE SPECIFIED TOLERANCES: ANGULAR ± 1/2°		MFG. SH. REV.	
3 PLACE ± .010 --- 2 PLACE ± .014 ± 0.25 1 PLACE --- ± 0.35		REVISE ONLY ON CAD SYSTEM	
DRAFT WHERE APPLICABLE MUST REMAIN WITHIN DIMENSIONS		TITLE ASSEMBLY, SL CONNECTOR (SINGLE ROW- (2.54)/.100 GRID)	
DRWG. BY: [ ] CHK'D. BY: [ ] APP'D. BY: [ ] SCALE: 4:1		MOLEX INCORPORATED SHEET NO. DATE / / LITSE, ILL. 60532 U.S.A.	
L.T.R. REVISIONS L.T.R. REVISIONS		PART NO. DRWG. NO.	
		FILE NAME: [ ] THIS DRAWING CONTAINS INFORMATION THAT IS PROPRIETARY TO MOLEX INC. AND SHOULD NOT BE USED WITHOUT WRITTEN PERMISSION. DIV. DA SIZE C	

OPTION G



注記:

1. 材料  
ハウジング：ガラス入りポリエステル UL 94V-0  
ターミナル：磷青銅
2. 仕上げ  
接点部：金メッキ 0.38 μm MIN.  
圧接部：錫メッキ 1.91 μm MIN.  
下地メッキ：ニッケルメッキ 1.27 μm MIN.
3. 極性リブは、2極及び3極の場合1箇所のみとする。  
但し3極の場合のリブは、1極目と2極目の間とする。
4. 適合オスコネクター：70107-\*\*\*\*, 70018-\*\*\*\*
5. 適合ヘッダー：70389-\*\*\*\*, 70391-\*\*\*\*
6. ハウジングの色：黒

60.96	58.42	70400-0688	24
58.42	55.88	70400-0687	23
48.26	45.72	70400-0683	19
40.64	38.10	70400-0680	16
38.10	35.56	70400-0679	15
35.56	33.02	70400-0678	14
33.02	30.48	70400-0677	13
27.94	25.40	70400-0675	11
25.40	22.86	70400-0674	10
22.86	20.32	70400-0673	9
(B)	A	MATERIAL No.	極数

2極の場合  
(SCALE:2-1)

REVISED EC NO: J2009-0453 DRWN: YOSHIDAM 2008/12/01 CHKD: THARUYAMA 2008/12/01 APPR: NUKITA 2008/12/08 REV: D	GENERAL TOLERANCES (UNLESS SPECIFIED)		DIMENSION STYLE MM ONLY		SCALE 4:1	DESIGN UNITS METRIC	THIRD ANGLE PROJECTION		
	10 UNDER ±0.2 10 OVER 30 UNDER ±0.25 30 OVER ±0.3	ANGULAR ±3 ° DRAFT WHERE APPLICABLE MUST REMAIN WITHIN DIMENSIONS		DRAWN BY T. FURUHATA	DATE '87/11/17	TITLE 2.54 SINGLE ROW ASSY FEMALE I.D.CONN OPTION G -LEAD FREE-			
			APPROVED BY S. YAMADA	DATE	MOLEX INCORPORATED				
			MATERIAL NO. SEE TABLE	DOCUMENT NO. SD-70400-010		SHEET NO. 1 OF 1			

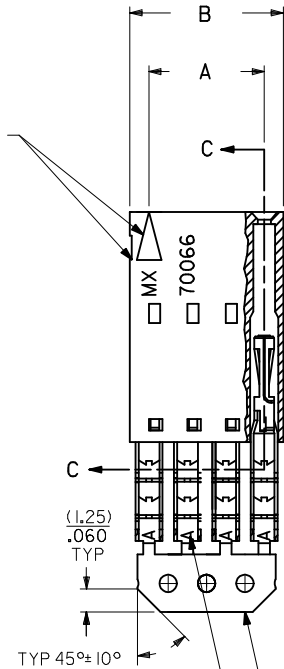
# OPTION A

- NOTES:  
 1. MATERIAL:  
 HOUSING: POLYESTER(PBT), GLASS FILLED, UL94 V-0,  
 COLOR: BLACK  
 TERMINAL: PHOSPHOR BRONZE  
 2. FINISH:  
 15 GOLD: 0.38 MICROMETERS/15 MICROINCHES MINIMUM GOLD IN  
 1.91 MICROMETERS/75 MICROINCHES MINIMUM TIN  
 OVER NICKEL UNDERPLATE OVERALL  
 3. TO BE USED WITH 24 AWG STRANDED WIRE WITH (1.35)/.053  
 DIAMETER MAXIMUM INSULATION  
 4. SEE TABLE FOR AVAILABLE CIRCUIT SIZES  
 5. STANDARD PACKAGING PER PK-70873-0001. OPTIONAL PACKAGING  
 MAY BE AVAILABLE, REQUEST DRAWING PK-70400  
 6. PARTS STACKABLE END TO END ON (2.54)/.100 CENTERS  
 7. PRODUCT SPECIFICATION: PS-70400  
 8. SEE DRAWING SDA-70400-\*\*\*\* (SHEET 3) FOR OPTIONAL  
 HOUSING DETAILS  
 9. 4 CIRCUIT SHOWN  
 10. TO MATE WITH MOLEX 2.54/.100 CENTERLINE HEADERS  
 11. 2 CIRCUIT ASSEMBLIES SUPPLIED AS GROUPED PAIRS

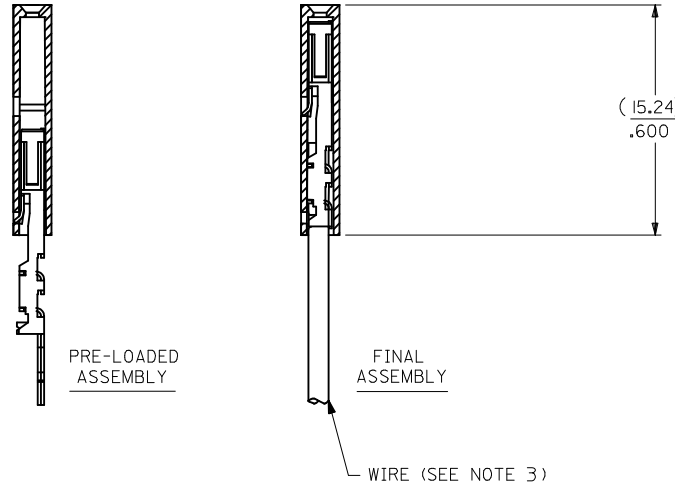


CKT. SIZE	A	B	EDP. NO.
2	( 2.54 ) .100	( 5.05 ) .199	14-56-2021
3	( 5.08 ) .200	( 7.59 ) .299	14-56-2031
4	( 7.62 ) .300	( 10.13 ) .399	14-56-2041
5	( 10.16 ) .400	( 12.67 ) .499	14-56-2051
6	( 12.70 ) .500	( 15.21 ) .599	14-56-2061
7	( 15.24 ) .600	( 17.75 ) .699	14-56-2071
8	( 17.78 ) .700	( 20.29 ) .799	14-56-2081
9	( 20.32 ) .800	( 22.83 ) .899	14-56-2091
10	( 22.86 ) .900	( 25.37 ) .999	14-56-2101
11	( 25.54 ) 1.000	( 27.91 ) 1.099	14-56-2111
12	( 27.94 ) 1.100	( 30.45 ) 1.199	14-56-2121
13	( 30.48 ) 1.200	( 32.99 ) 1.299	14-56-2131
14	( 33.02 ) 1.300	( 35.53 ) 1.399	14-56-2141
15	( 35.56 ) 1.400	( 38.07 ) 1.499	14-56-2151
16	( 38.01 ) 1.500	( 40.61 ) 1.599	14-56-2161
17	( 40.64 ) 1.600	( 43.15 ) 1.699	14-56-2171
18	( 43.18 ) 1.700	( 45.69 ) 1.799	14-56-2181
19	( 45.72 ) 1.800	( 48.23 ) 1.899	14-56-2191
20	( 48.26 ) 1.900	( 50.77 ) 1.999	14-56-2201
21	( 50.80 ) 2.000	( 53.31 ) 2.099	14-56-2211
22	( 53.34 ) 2.100	( 55.85 ) 2.199	14-56-2221
23	( 55.88 ) 2.200	( 58.39 ) 2.299	14-56-2231
24	( 58.42 ) 2.300	( 60.93 ) 2.399	14-56-2241
25	( 60.96 ) 2.400	( 63.47 ) 2.499	14-56-2251

CIRCUIT NO. I  
 SLOT OR ARROW



## SECTION C-C



I.D. SLOT CODE TO WIRE GAUGE CHART	
I.D. SLOT CODE	WIRE GAUGE
A	24 AWG.

PLATING CODE (STRIPE ON CARRIER STRIP)	
PLATING	COLOR
15 GOLD	YELLOW

REMOVE ENG NO. EC NO: UCP2011-110 DRW:MSI BARRA 2010/10/19 CHK:DJMORGAN 2010/10/19 APPR:SMILLER 2010/11/24	QUALITY SYMBOLS ∇=0 ∇=0 ∇=0	GENERAL TOLERANCES (UNLESS SPECIFIED)		DIMENSION STYLE MM/IN		SCALE	DESIGN UNITS INCH	THIRD ANGLE PROJECTION	
		4 PLACES ± --- ± ---		DRAWN BY DATE MSI BARRA 2010/10/19		TITLE ASSEMBLY, SL CONNECTOR SINGLE ROW 2.54/.100 GRID			
		3 PLACES ± --- ± .010		CHECKED BY DATE WAZ 1984/10/09		MOLEX INCORPORATED			
		2 PLACES ± 0.25 ± .014 1 PLACE ± 0.35 ± ---		APPROVED BY DATE SMILLER 2010/11/24		MATERIAL NO. SEE TABLE		DOCUMENT NO. SDA-70400-0526-0549	
ANGULAR ± 1/2°		DRAFT WHERE APPLICABLE MUST REMAIN WITHIN DIMENSIONS		THIS DRAWING CONTAINS INFORMATION THAT IS PROPRIETARY TO MOLEX INCORPORATED AND SHOULD NOT BE USED WITHOUT WRITTEN PERMISSION					