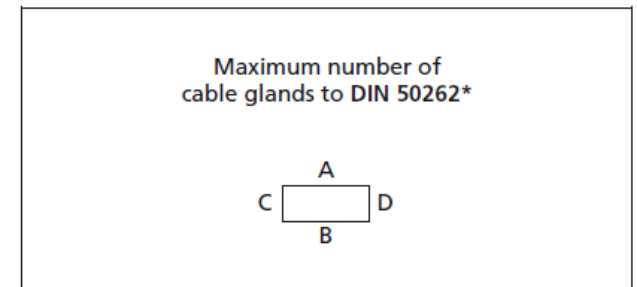


Type: **021616090**

External dimensions: **160 x 160 x 91 mm**

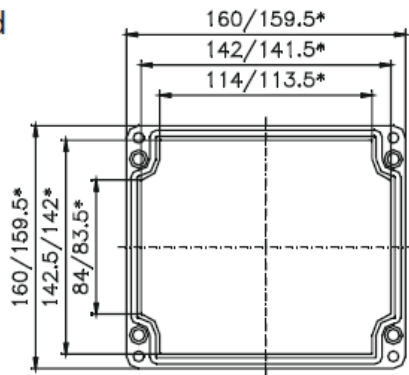
Weight: **1280 g**

DIN rail length in mm	max. fitting length in mm	Mounting plate (thickness in mm)	External mounting brackets	External hinge* set	EMC version	Allen lid screws	Silicone lid seal	Sealable lid screws
TS 35								
144	122	1.5	•	•	•	•	•	•



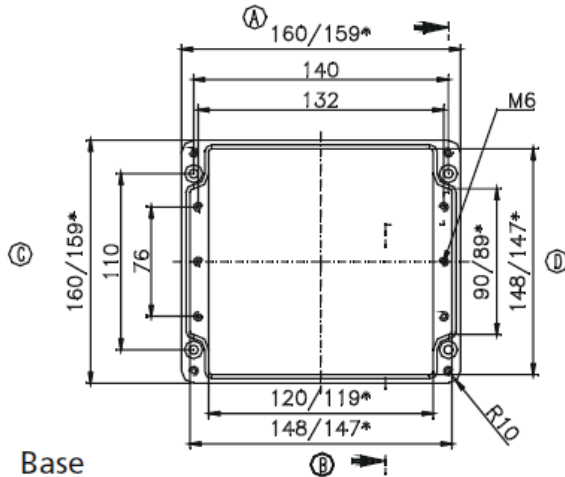
M	Corner dim.	Side		PG	Corner dim.	Side	
		A/B	C/D			A/B	C/D
12	17.25	26	18	7	17.25	26	18
16	25.30	14	8	9	21.85	15	12
20	27.60	9	6	11	25.30	12	8
25	37.95	6	3	13.5	27.60	9	6
32	48.30	3	2	16	31.05	8	6
40	60.95	2	1	21	37.95	6	3
50	69.00	2	1	29	48.30	2	2
63	74.75			36	60.95	2	1
				42	69.00	1	
				48	74.75		

Lid

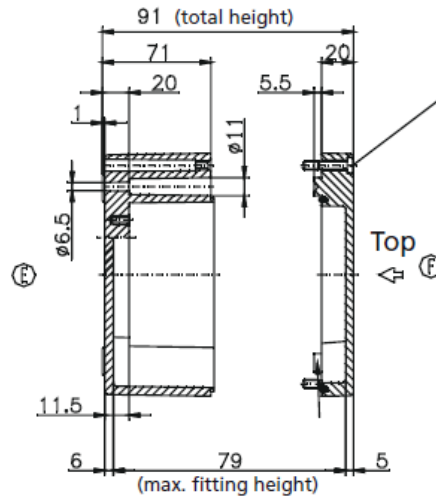


\* = Conical form tapering downwards  
Free dimensions-tolerance to DIN 16901 - 130

Cylinder screw  
M6x30/10  
similar to DIN 84



Base



DATE	17 MAY 2017	7330 Executive Way Frederick, MD 21704 (301) 696-9411 voice (301) 696-9494 fax	
SHEET	1		
DESCRIPTION	ENCLOSURE, STANDARD, FIBERGLASS 160 X 160 X 91MM, RAL 7000		
SIZE	DRAWING NUMBER	<b>021616090</b>	REV
A			-