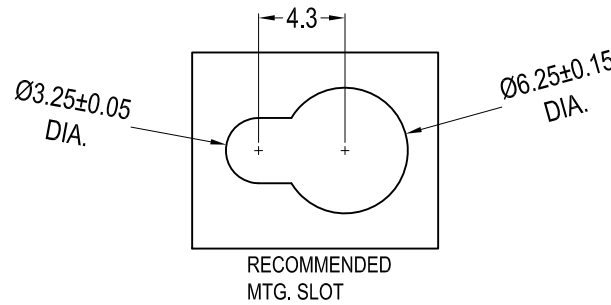
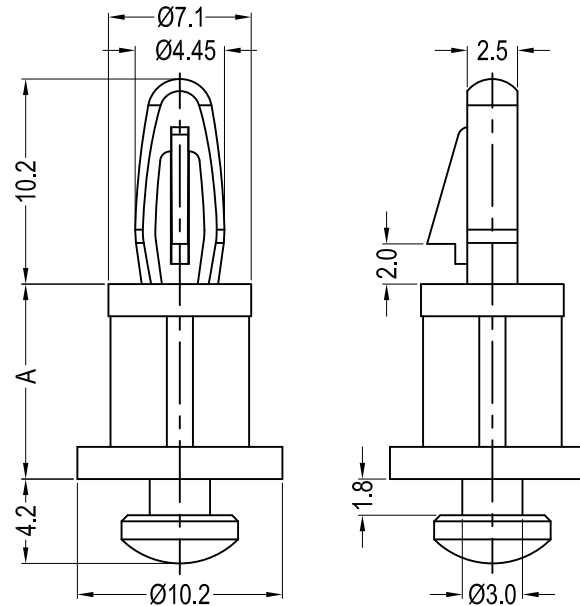


DO NOT SCALE DRAWING

REVISIONS

ZONE	REV.	DESCRIPTION	DATE	APPROVED
	A	DRAWN	22-10-2018	



Part No.	A
TRKSLBN-2-01	3.2
TRKSLBN-4-01	6.4
TRKSLBN-6-01	9.5
TRKSLBN-8-01	12.7

NOTES :

- Also available in flame retardant nylon(PA66 UL94V-0);
- Top Hole: $\text{Ø}4.0\pm 0.08\text{mm}$, Panel Thickness: 1.57mm;
- Bottom Hole: See Mounting Key Slot Detail, Panel Thickness: 1.57mm.

UNLESS OTHERWISE SPECIFIED:
DIMENSIONS ARE IN MILLIMETERS.
SURFACE FINISH:
TOLERANCES:
 $L \leq 4 = \pm 0.1$ $4 < L \leq 15 = \pm 0.2$
 $15 < L \leq 50 = \pm 0.3$ $50 < L \leq 100 = \pm 0.4$

MATERIAL
PA66 UL94V-2
ROHS COMPLIANT

TITLE
KEY SLOT LOCKING PCB SUPPORT

NAME	DATE
DRAWN MARTIN ELLIOTT	22/10/2018
CHK'D	
APP'D	

HEAT TREATMENT
N/A

DESIGN RIGHT. TR FASTENINGS LTD. 2003
UNDER NO CIRCUMSTANCES MUST THIS
DRAWING BE COPIED OR DISCLOSED.
WITHOUT FIRST OBTAINING WRITTEN
AUTHORITY.

CUSTOMER PART NO.

FINISH
NATURAL

DWG NO.
TRKSLBN-X-01

A3