

P	LTR	DESCRIPTION	DATE	DWN	APVD
	A	ACTIVATED PER ECR-19-006487	25APR2019	RS	CVS

NOTES:

1. MATERIALS:

CONTACT : COPPER ALLOY, TIN PLATED
 HOUSING: PPE+PS; COLOR: DARK GREY
 BUTTON: PPE+PS; COLOR: DARK GREY

2. APPLICABLE CABLES:

A) APPROVED ACCORDING UL FILE E353372 FOR SOLAR CABLES FROM 5.9 mm TO 7.2 mm

B) UNDER APPROVAL BY IEC62852 FOR FOLLOWING CABLE TYPES FROM DEFINED MANUFACTURERS:

- TE CABLE PN 2328394, 2.5 mm² (14 AWG)
- TE CABLE PN 2270245, 4 mm² (12 AWG)
- TE CABLE PN 2270260, 4 mm² (12 AWG)
- TE CABLE PN 2328400, 6 mm² (10 AWG)
- TE CABLE PN 2270215, 4 mm² (12 AWG)
- TE CABLE PN 2270259, 4 mm² (12 AWG)
- BYSON 6351D 2.5mm²/14AWG
- BYSON 6352D 4mm²/12AWG
- BYSON 6353D 6mm²/10AWG
- HONGLIN DPN4012A20 4mm²/12AWG

3. MATING CONNECTORS, TE PART NO.:

- 2308033-1 (SOLARLOK 2.0)
- x-2270025-y (PV4-S)
- x-1971919-y (PV4-PM)

4 TUV CERTIFICATION IN PROGRESS / PENDING APPROVAL

5 MOULDING PRODUCTION DATE MARKING

6 AREA FOR LASER PRINTING DATA MATRIX AND PARTNUMBER
 P P P P P P P P V Y Y W W D F L # # # # #
 P P P P P P P P = PART NUMBER
 V = VERSION CUSTOMER DRAWING
 Y Y = LAST TWO DIGITS OF YEAR 19
 W W = WEEK NUMBER
 D = WEEKDAY (1 MONDAY)
 F = FACTORY CODE (T = TRUTNOV)
 L = MANUFACTURING LINE (M = MANUAL)

7 CABLE FOR REFERENCE ONLY

8 WHEN BUTTON AND HOUSING RIBS ARE ALIGNED,
 THE CONNECTOR IS CORRECTLY TERMINATED

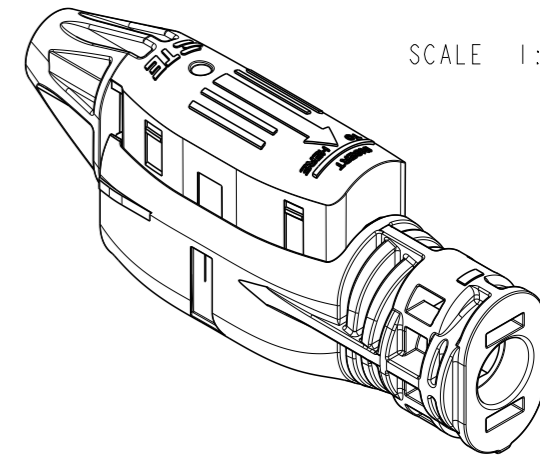
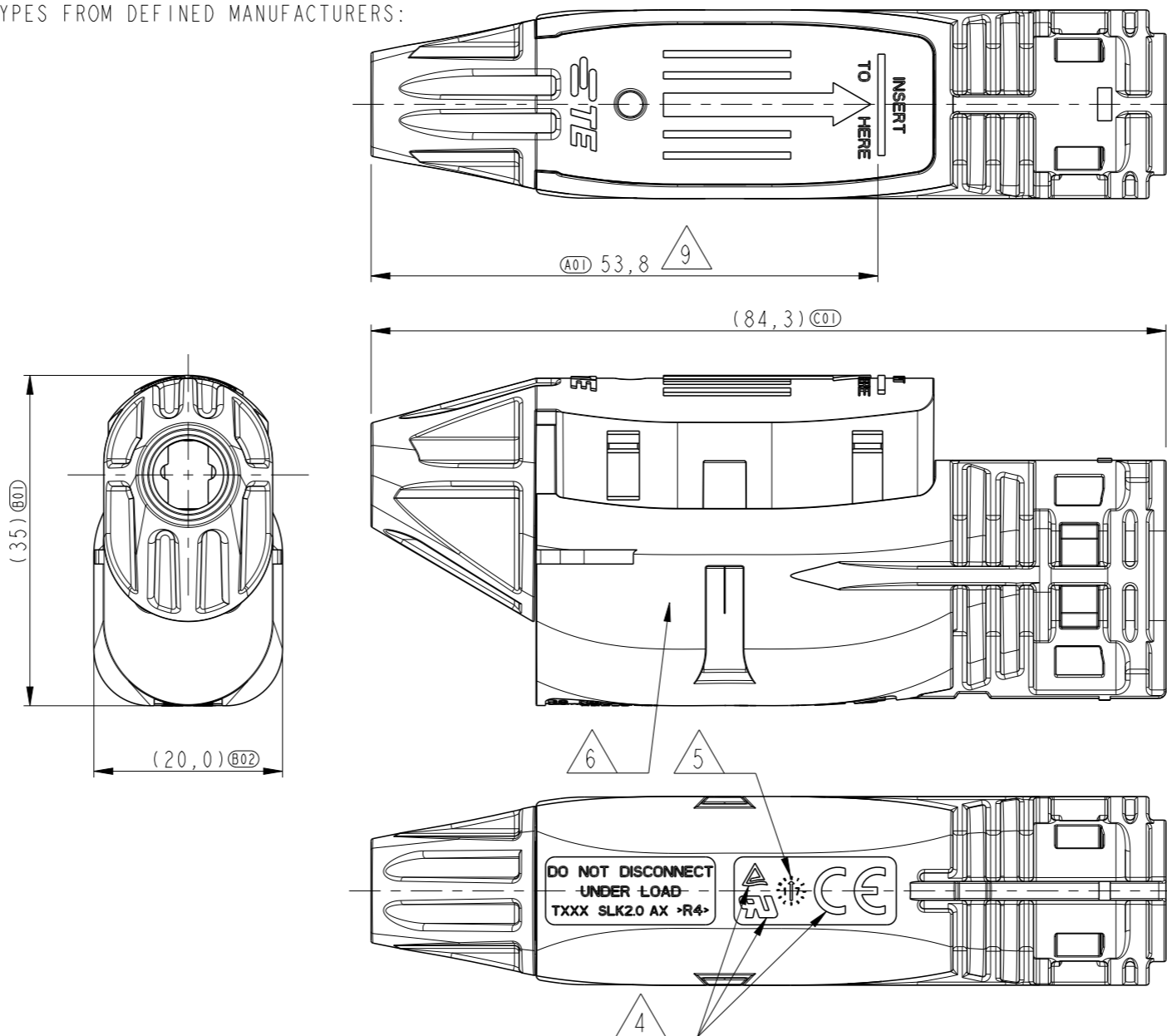
9 MINIMUM CABLE INSERTION LENGTH 53.8 ± 2 mm


10. CHECK APPLICATION SPEC 114-133104
 FOR PROPER CABLE CONNECTION

11. PACKED IN SHIPPABLE BOXES OF 200PCS, INSIDE THE BOX
 ARE 20 BAGS OF 10 CONNECTORS EACH.
 OTHER PACKAGING FORMAT AND QUANTITY UNDER DEVELOPMENT.

P/N 2315176-1 AS SHOWN
 MODEL CODE: SLK-PI-1-BL-XX

DIMENSIONS BEFORE APPLICATION

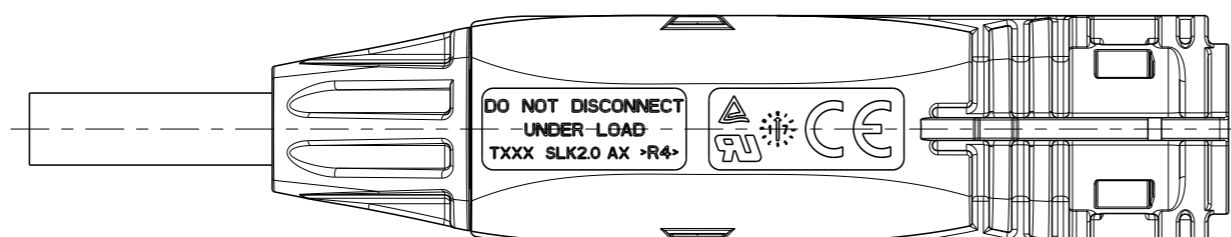
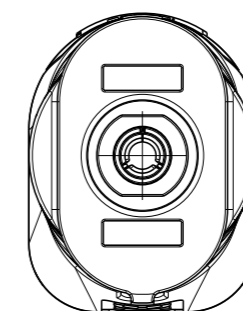
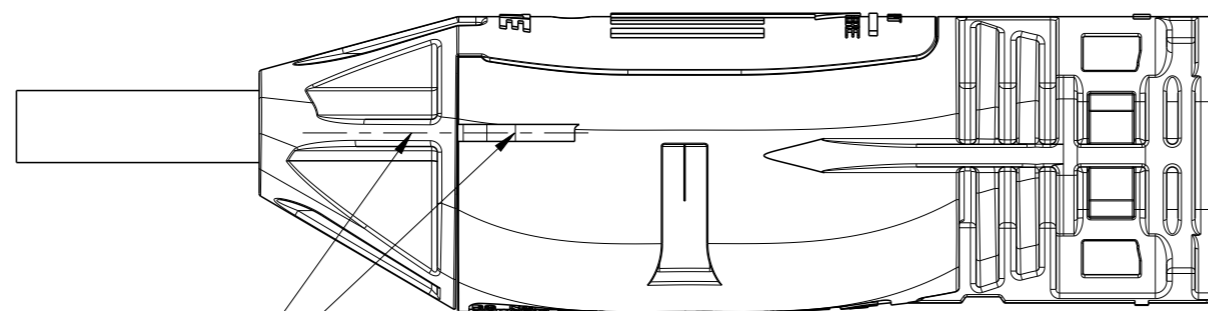
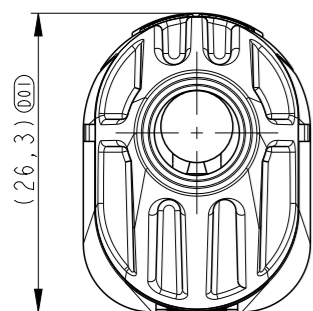
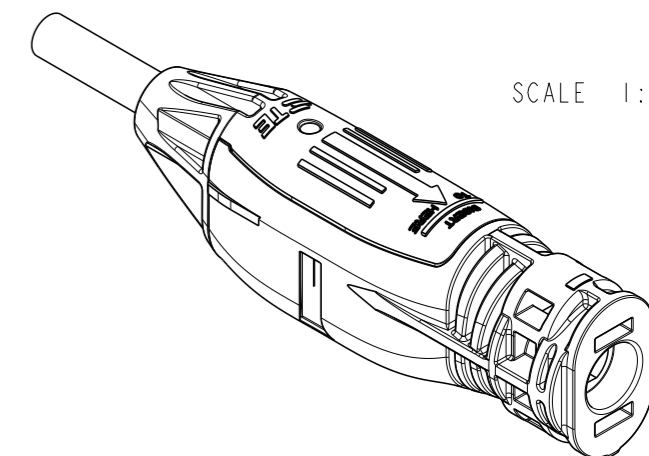
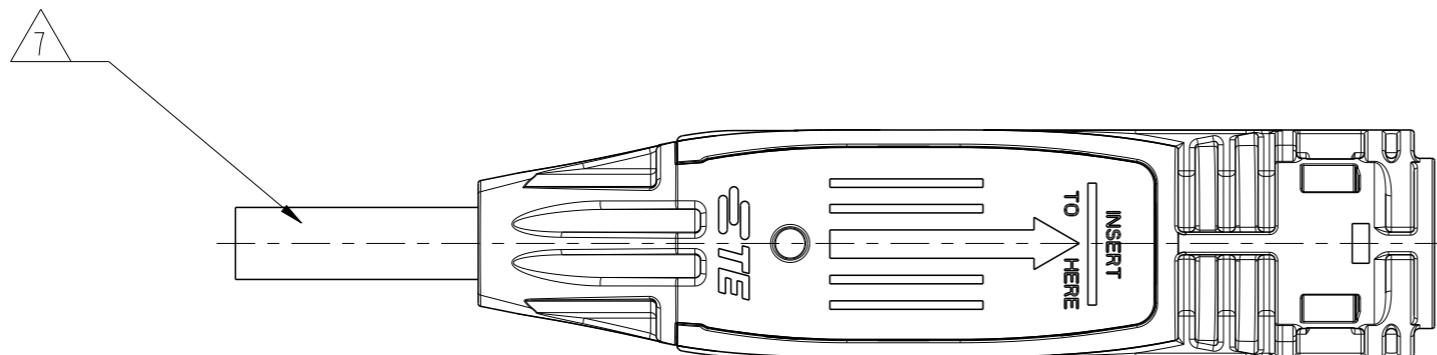


THIS DRAWING IS A CONTROLLED DOCUMENT.		DWN 06DEC2017 RAGHAVENDRA.K	 TE Connectivity	
DIMENSIONS: mm		CHK 31JAN2018 F.DENDAS		
TOLERANCES UNLESS OTHERWISE SPECIFIED:		APVD 31JAN2018 O.I.F.IJNSE	NAME SOLARLOK 2.0 PIN CONNECTOR	
0 PLC ±0.5		PRODUCT SPEC 108-133104	SIZE CAGE CODE DRAWING NO RESTRICTED TO	
1 PLC ±0.5		APPLICATION SPEC 114-133104	A3 00779 C-2315176	
2 PLC ±0.5		WEIGHT -	SCALE 5:1 SHEET 1 OF 2 REV A	
3 PLC ±		CUSTOMER DRAWING		
4 PLC ±				
ANGLES ±3°				
FINISH -				
MATERIAL SEE NOTES				

REVISIONS

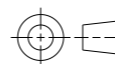
P	LTR	DESCRIPTION	DATE	DWN	APVD
	-	SEE SHEET 1	-	-	-

DIMENSIONS AFTER APPLICATION



THIS DRAWING IS A CONTROLLED DOCUMENT.

DIMENSIONS:
mm



MATERIAL
SEE NOTES

TOLERANCES UNLESS OTHERWISE SPECIFIED:

0 PLC	±0.5
1 PLC	±0.5
2 PLC	±0.5
3 PLC	±
4 PLC	±
ANGLES	±3°
FINISH	-

DWN 06DEC2017

RAGHAVENDRA.K

CHK 31JAN2018

F.DENDAS

APVD 31JAN2018

O.I.FIUNSE

PRODUCT SPEC

108-133104

APPLICATION SPEC

114-133104

WEIGHT

-

CUSTOMER DRAWING



TE Connectivity

NAME
SOLARLOK 2.0 PIN CONNECTOR

SIZE CAGE CODE DRAWING NO RESTRICTED TO

A3 00779 C-2315176

SCALE 3:2 SHEET 2 OF 2 REV A