

**SEE PAGE 2 FOR DETAILS

WIRING SCHEMATIC

| 1 | 2 |
|-----------|-----------|
| PIN | PIN |
| 1 = BROWN | 1 = RED |
| 2 = WHITE | 2 = GREEN |
| 3 = BLUE | 3 = BLACK |
| 4 = BLACK | 4 = WHITE |

FPM12A04IYYAR0Y

INCHES ———

01 = WIRING SCHEMATIC 1
02 = WIRING SCHEMATIC 2

LENGTH
EX: 06 = 6 INCHES
12 = 12 INCHES

NOTE: PACKAGED 10 PER BAG

RoHS COMPLIANT

UNITS IN INCHES [MM] DO NOT SCALE FROM DRAWING



THESE DRAWINGS AND SPECIFICATIONS ARE THE PROPERTY OF NorComp AND SHALL NOT BE REPRODUCED, COPIED OR USED AS THE BASIS FOR THE MANUFACTURE OR SALE OF APPARATUS WITHOUT WRITTEN PERMISSION.

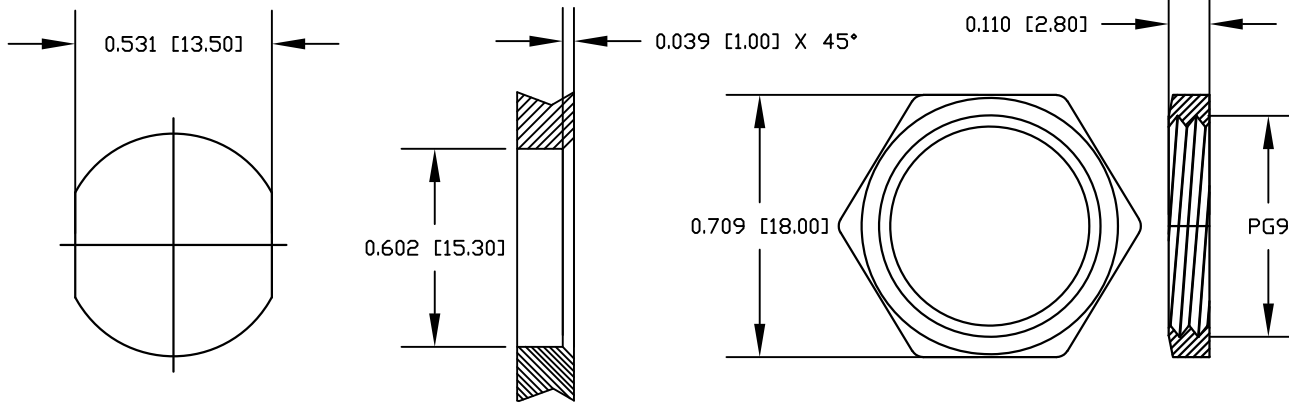
DRAWN:
G. BROWN

DATE:
01/23/2019

NorComp

| | | |
|--------------------------------|-----------------|----------|
| SCALE: NTS | SHEET OF 1 2 | REV 0 |
| DWG NO. FPM12A04IYYAR0Y | | |

DESCRIPTION: M12 4 POSITION BRASS FEMALE PIGTAIL



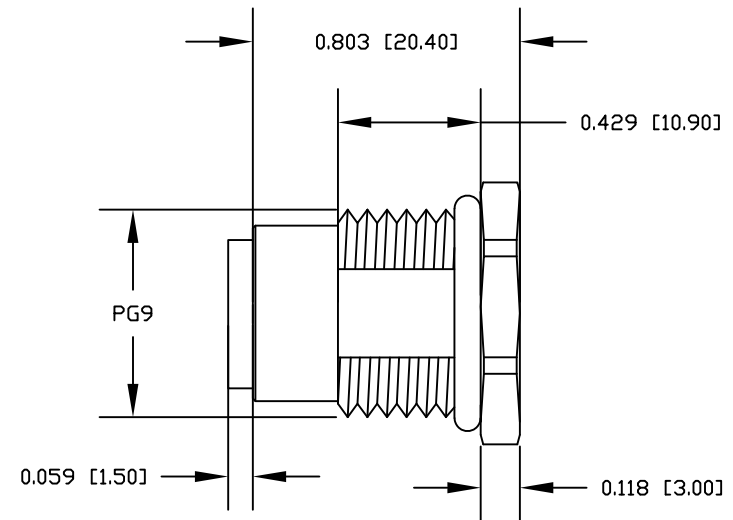
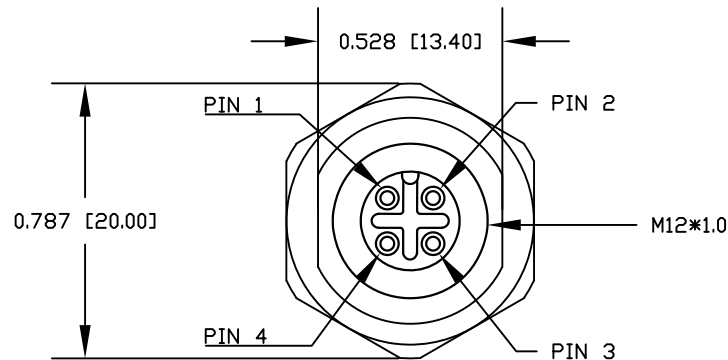
NUT

NOTE:

| | |
|------------------------|------------------------|
| MATERIAL | |
| HOUSING: | PBT UL94V-0, BLACK |
| CONTACT: | BRASS |
| NUT: | BRASS |
| SHELL: | BRASS |
| O-RING: | EPDM, BLACK |
| FINISH | |
| CONTACT: | GOLD PLATED, 10μ" Min. |
| UNDER PLATE: | NICKEL |
| NUT: | NICKEL PLATED |
| SHELL: | NICKEL PLATED |
| ELECTRICAL | |
| RATED CURRENT: | 4A |
| RATED VOLTAGE: | 250V |
| INSULATION RESISTANCE: | 100MΩ MIN |
| CONTACT RESISTANCE: | 10mΩ MAX |
| WATER PROOF: | IP67/68 |
| ENVIRONMENT | |
| OPERATION TEMPERATURE: | -40°C ~ +85°C |
| WIRE GAUGE: | 24-28 AWG |

RECOMMENDED PANEL CUT-OUT

PANEL THICKNESS = 1.5mm to 3.0mm MAX



RoHS COMPLIANT

UNITS IN INCHES [MM] DO NOT SCALE FROM DRAWING



THESE DRAWINGS AND SPECIFICATIONS ARE THE PROPERTY OF NorComp AND SHALL NOT BE REPRODUCED, COPIED OR USED AS THE BASIS FOR THE MANUFACTURE OR SALE OF APPARATUS WITHOUT WRITTEN PERMISSION.

DRAWN:

G. BROWN

DATE:

01/23/2019

NorComp

SCALE:
NTS

SHEET OF
2 2

REV
0

DWG NO.

FPM12A04IYYAR0Y