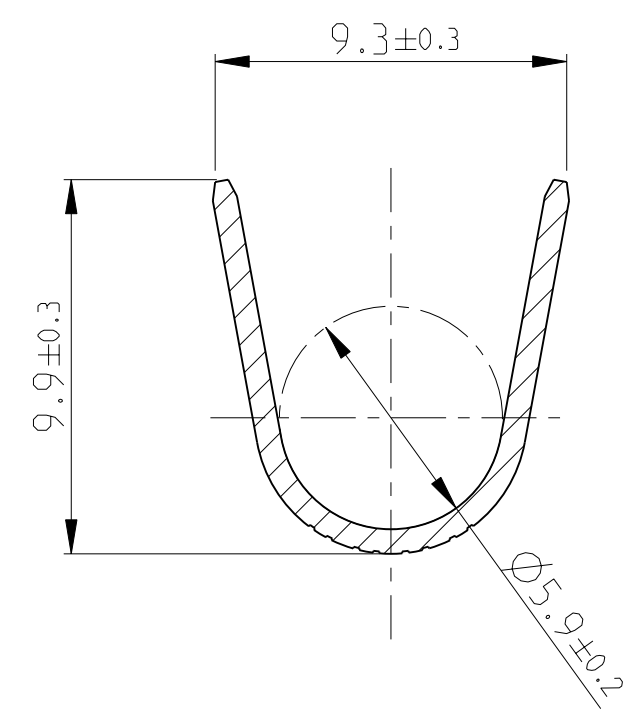
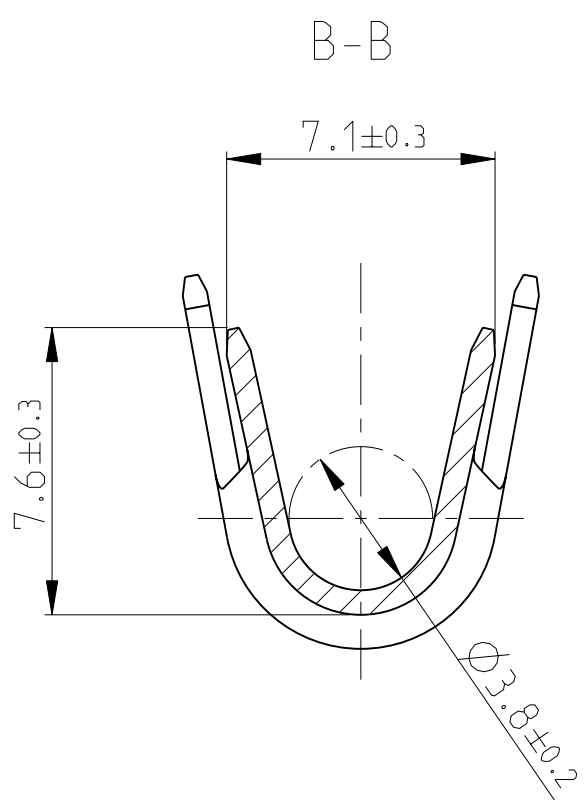
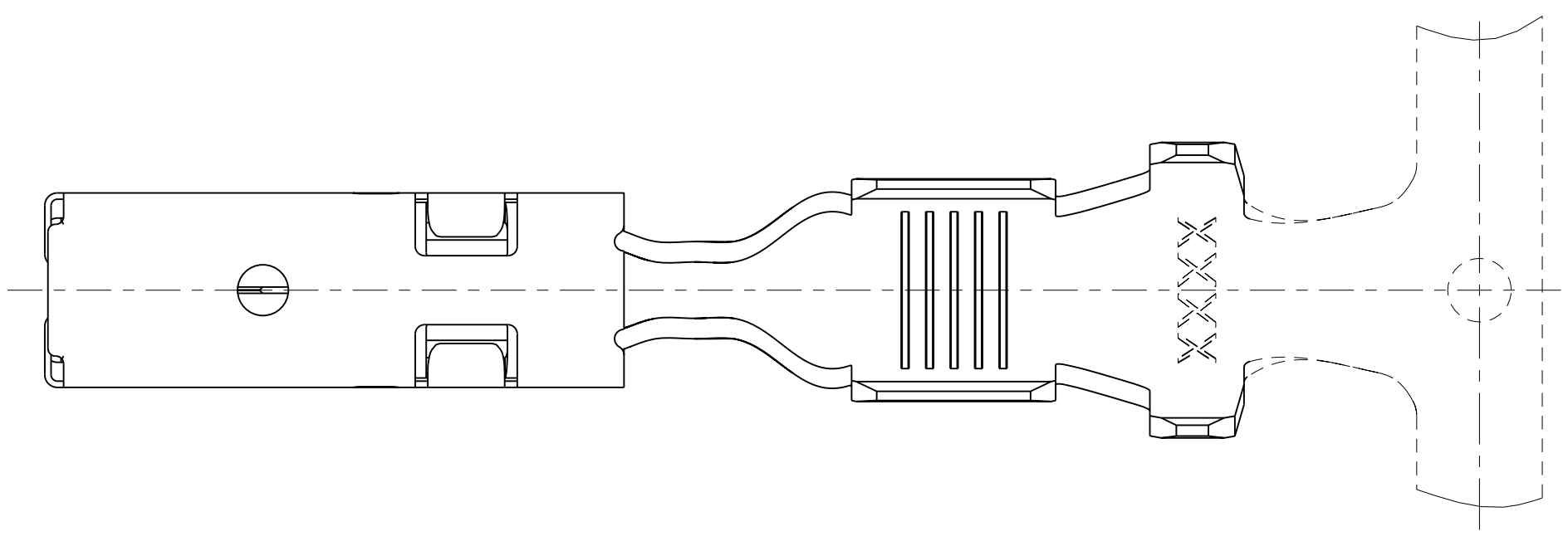
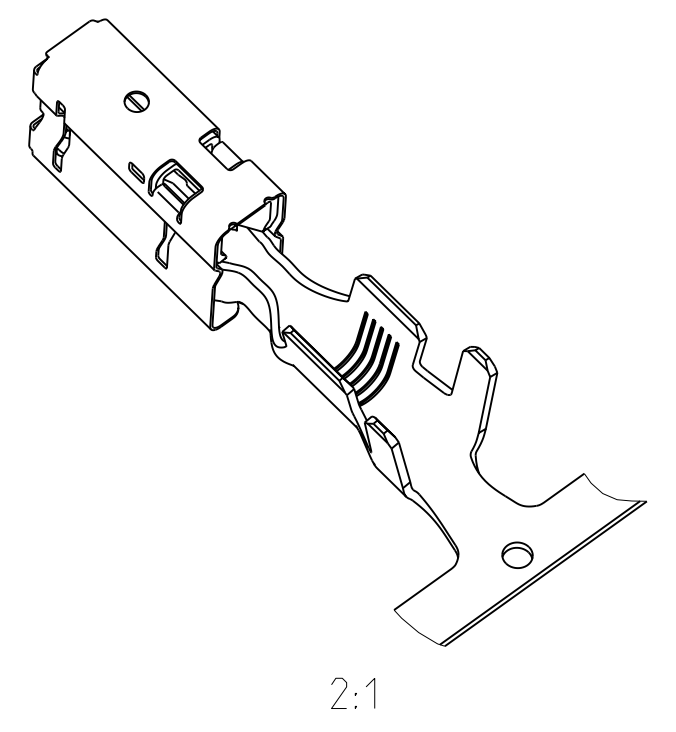
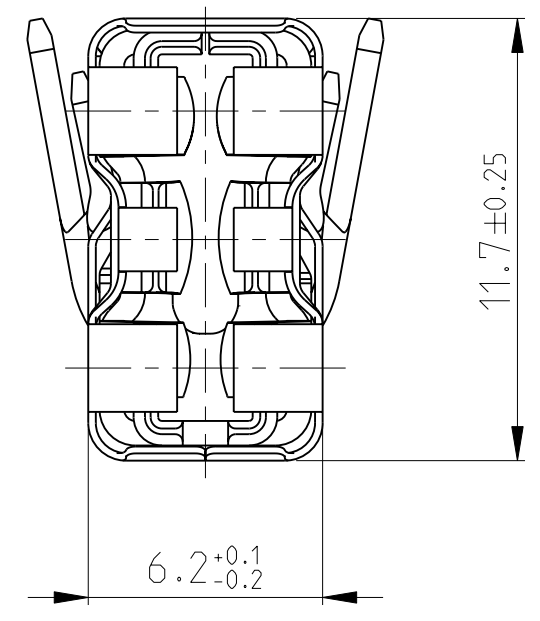
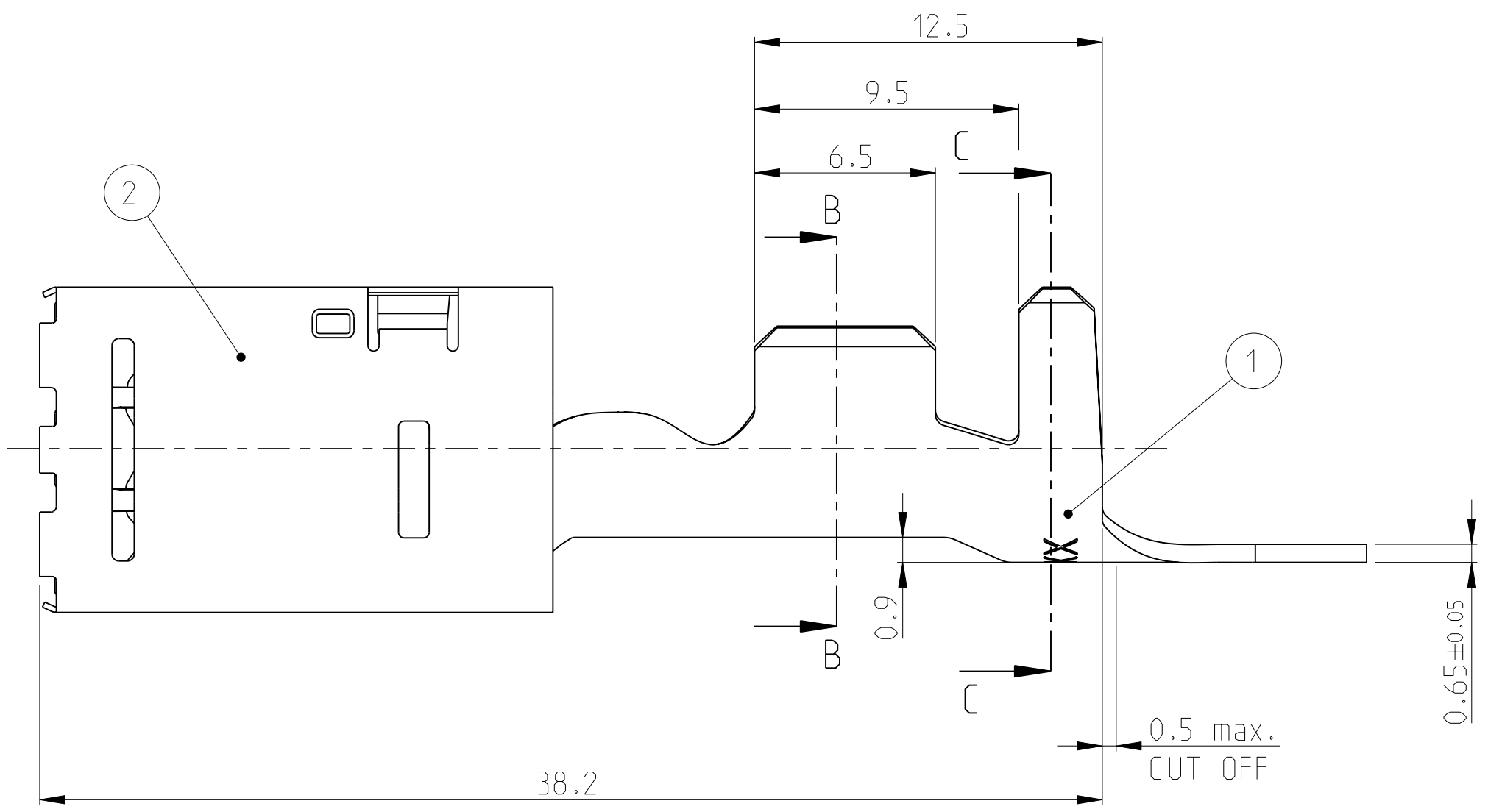


THIS DRAWING IS UNPUBLISHED. RELEASED FOR PUBLICATION 2008
 © COPYRIGHT 2008 BY TYCO ELECTRONICS CORPORATION. ALL RIGHTS RESERVED.

LOC	DIST	REVISIONS			
P	LTR	DESCRIPTION	DATE	DWN	APVD
A		NEW DWG.	29FEB2000	DJ	GM
B		UPDATE	24JUL2001	KR	DJ
B1		UPDATE	26MAY2008	Haas	Pfeil



REMARKS
Bemerkungen

- 1 MATING PART ACC. TO Gegenstecker nach TE-SPEC.: 114-18317
- 2 ONLY FOR FLK WIRE SEE Nur fuer FLK-Leitungen nach DIN 72551
- 3 SURFACE: Oberflaeche:
 -PRE TIN PLATED 1-3µm -verzinnt 1-3µm
 -GOLD PLATED MIN. 0.8µm -galv. vergoldet min. 0.8µm (ONLY CONTACT AREA) (nur Kontaktzone)
 -SILVER PLATED 3-5µm -galv. versilbert 3-5µm (ONLY CONTACT AREA) (nur Kontaktzone)
- 4 APPLICATION TOOLS OF CONTACTS SEE APPLICATION SPEC.: 114-18269
 Verarbeitungswerkzeuge der Kontakte siehe Verarbeitungsspezifikation.: 114-18269
- 5 DETAILS OF DESIGN ARE UP TO THE MANUFACTURER Einzelheiten der Ausfuehrung sind dem Hersteller ueberlassen
- 6 ONLY GERMAN LANGUAGE VERSION SHALL BE BINDING Nur der Deutsche Text ist bindend

1-1355849-1	6-10 mm ²	CuNiSi	PRE TIN PLATED vorverzinnt	B
TE ORDER-NO. Bestell-Nr.	WIRE SIZE RANGE Leiterquerschnitt 2	MATERIAL Werkstoff	SURFACE Oberflaeche 3	REV

THIS DRAWING IS A CONTROLLED DOCUMENT FOR TYCO ELECTRONICS CORPORATION IT IS SUBJECT TO CHANGE AND THE CONTROLLING ENGINEERING ORGANIZATION SHOULD BE CONTACTED FOR THE LATEST REVISION.		DWN Jakobleit.D 29FEB2000 CHK Pfeilschiffer.M 27MAY2008 APVD Bleicher.M 27MAY2008	Tyco Electronics Tyco Electronics AMP GmbH 64625 Bensheim (Germany)
DIMENSIONS: mm 	TOLERANCES UNLESS OTHERWISE SPECIFIED: 0 PLC ±0.2 1 PLC ± 2 PLC ± 3 PLC ± 4 PLC ±0.0001 ANGLES ± FINISH	PRODUCT SPEC 108-18630 APPLICATION SPEC 114-18269 WEIGHT - CUSTOMER DRAWING	NAME AMP MCP9.5 FLAT TYPE RECEPTACLE AMP MCP9.5 Buchsenkontakt; ASS'Y SIZE A2 CAGE CODE 00779 DRAWING NO. 1355849 RESTRICTED TO - SCALE 5:1 SHEET 1 OF 1 REV B1