

DIMENSIONAL & PART NO. TABLE:

| PART NO. | POS | A |
|-----------------|-----|-------|
| 10146579-020XLF | 2 | 7.70 |
| 10146579-030XLF | 3 | 10.20 |
| 10146579-040XLF | 4 | 12.70 |
| 10146579-050XLF | 5 | 15.20 |
| 10146579-060XLF | 6 | 17.70 |
| 10146579-070XLF | 7 | 20.20 |
| 10146579-080XLF | 8 | 22.70 |

Notes:

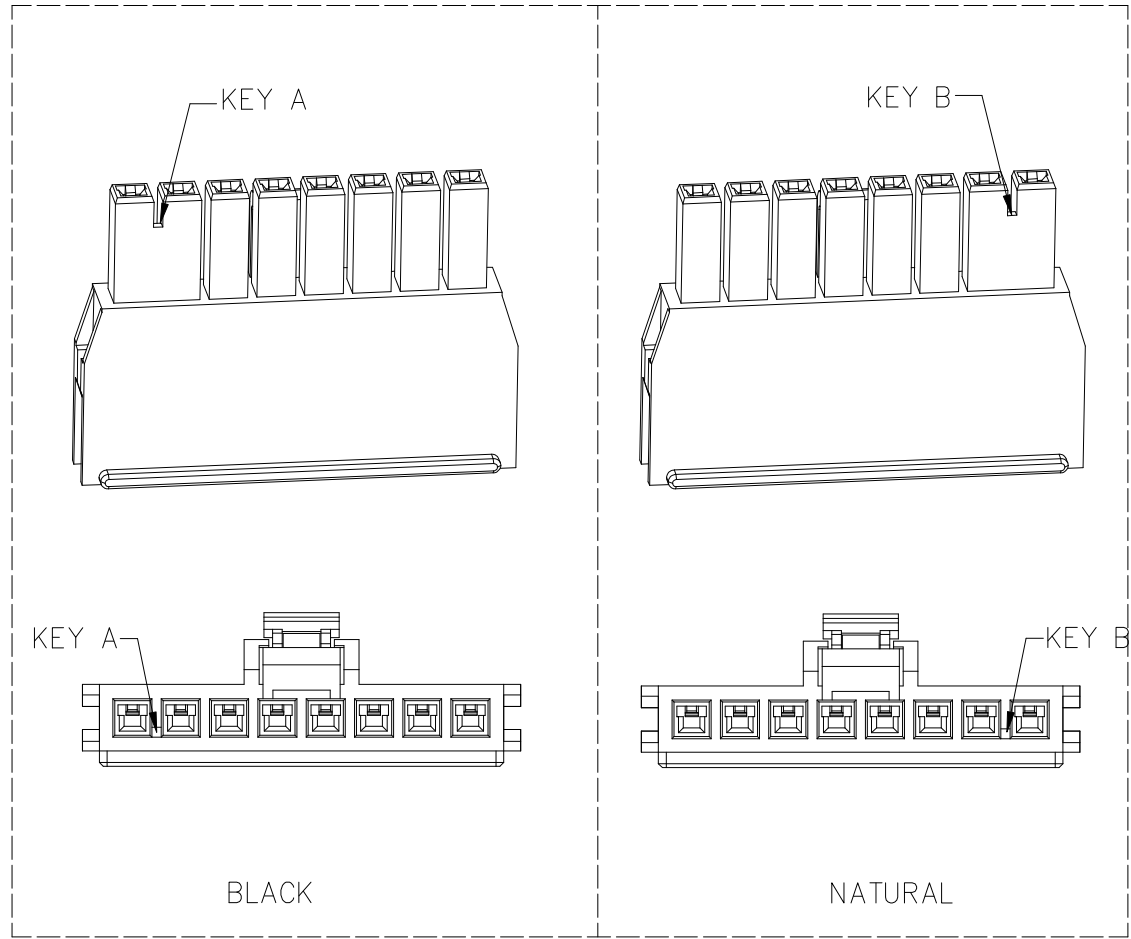
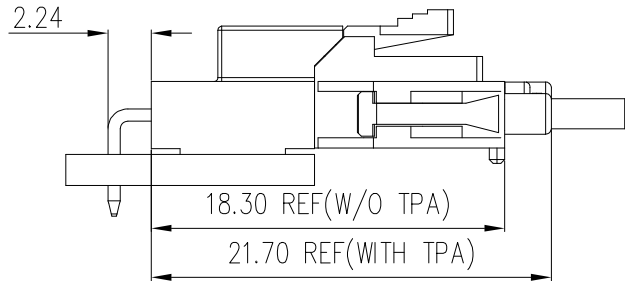
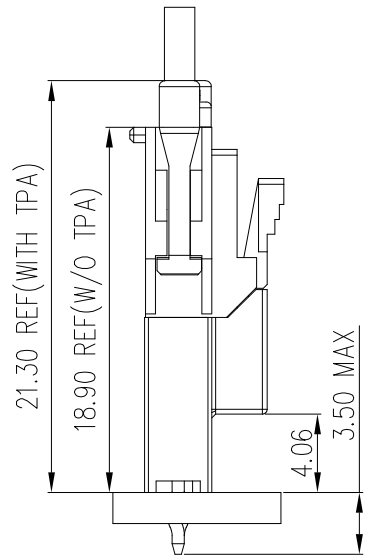
- MATERIAL:
HOUSING: PA4T,30% GLASS FILLED,94V-0
HALOGEN FREE, GLOW WIRE COMPATIBLE
- PRODUCT SPEC: GS-12-1456
- PACKAGING SPEC: GS-14-2610
- USE WITH AFCI HEADER 10146242
- PART NUMBER SCHEME:

10146579-XX 0 X LF

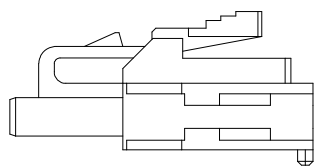
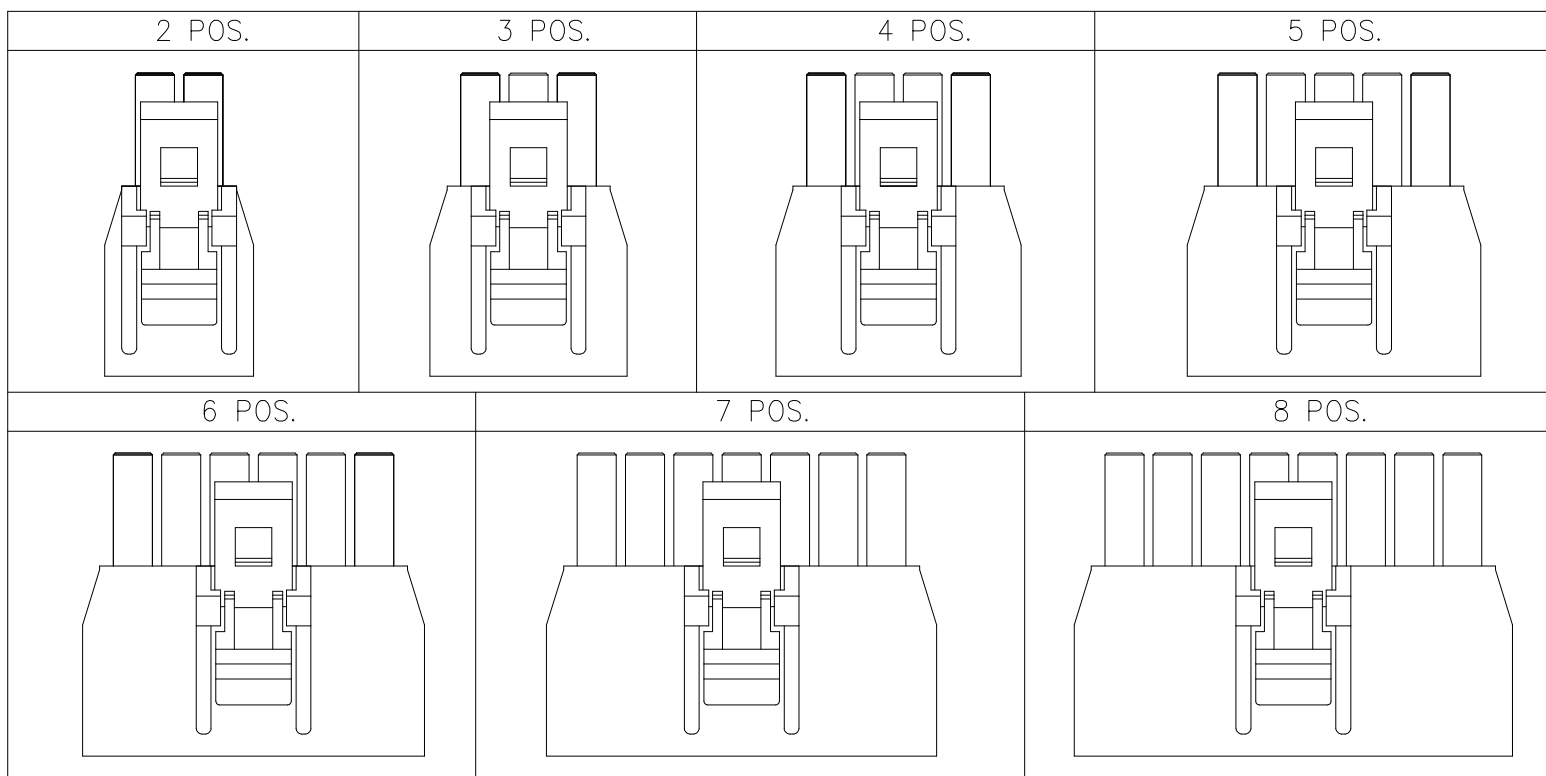
POS. CODE:
02: 2 POS.
03: 3 POS.
5
08: 8 POS.

LEAD FREE
INSULATION COLOR:
B: BLACK
N: NATURAL
C: ORANGE
G: GREEN

| | | | | | |
|-------------|-------------|---------|------------|---------------------------------------|--------------------------|
| mat'l. code | | surface | tolerance | projection | product family |
| ISO 1302 | | ISO 406 | ISO 1101 | 1101 | MinitekPWR |
| ltr | ecn no | dr | date | tolerances unless otherwise specified | title |
| A | | TONY | 2017-11-21 | angles | 2.5mm Rece Housing |
| B | ELX-N-30873 | TONY | 2018-08-03 | linear | |
| | | | | 0°±2' | scale 1:1 |
| | | dr | TONY LENG | 2017-11-22 | dwg no |
| | | eng | TONY LENG | 2017-11-22 | sheet 1 of 3 |
| | | chr | ZK HU | 2017-11-22 | size |
| | | app | TIM YAO | 2017-11-22 | A3 |
| sheet index | revision | B | | | type |
| | sheet | 1 | | | Product Customer Drawing |



| | | | | | | | | | |
|-------------|----------|-----------------------|-----------|---------------------------------------|----------|--------------------|----------|------------------------------|--------------------------|
| mat'l. code | | surface ISO 1302 ✓ | | tolerance ISO 406 ISO 1101 | | projection 1101 | | product family MinitexPWR | |
| ltr | ecn no | dr | date | tolerances unless otherwise specified | | mm | | title 2.5mm Rece Housing | |
| | | | | angles | .0±.35 | mm | | | |
| | | | | linear | .00±.25 | ← | | | |
| | | | | 0°±2° | .000±.15 | scale 1:1 | | | |
| | | dr | TONY LENG | 2017-11-22 | | | dwg no | | sheet 2 of 3 |
| | | eng | TONY LENG | 2017-11-22 | | | 10146579 | | A3 |
| | | chr | ZK HU | 2017-11-22 | | | type | | Product Customer Drawing |
| | | app | TIM YAO | 2017-11-22 | | | | | |
| sheet index | revision | B | | | | | | | |
| | sheet | 2 | | | | | | | |



TERMINAL AND TAP ORIENTATION

| | | | | | |
|-------------|----------|---------|-----------|---|-------------------------------|
| mat'l. code | | surface | tolerance | projection | product family |
| ltr | ecn no | dr | date | ISO 1302 <input checked="" type="checkbox"/> ISO 406 ISO 1101 | MinitekPWR |
| | | | | tolerances unless otherwise specified | title |
| | | | | angles | 2.5mm Rece Housing |
| | | | | linear | mm |
| | | | | 0°±2' | scale 1:1 |
| | | | | dr TONY LENG 2017-11-22 | dwg no sheet 3 of 3 size |
| | | | | engr TONY LENG 2017-11-22 | 10146579 A3 |
| | | | | chr ZK HU 2017-11-22 | type Product Customer Drawing |
| | | | | appd TIM YAO 2017-11-22 | |
| sheet index | revision | B | | | |
| | sheet | 3 | | | |