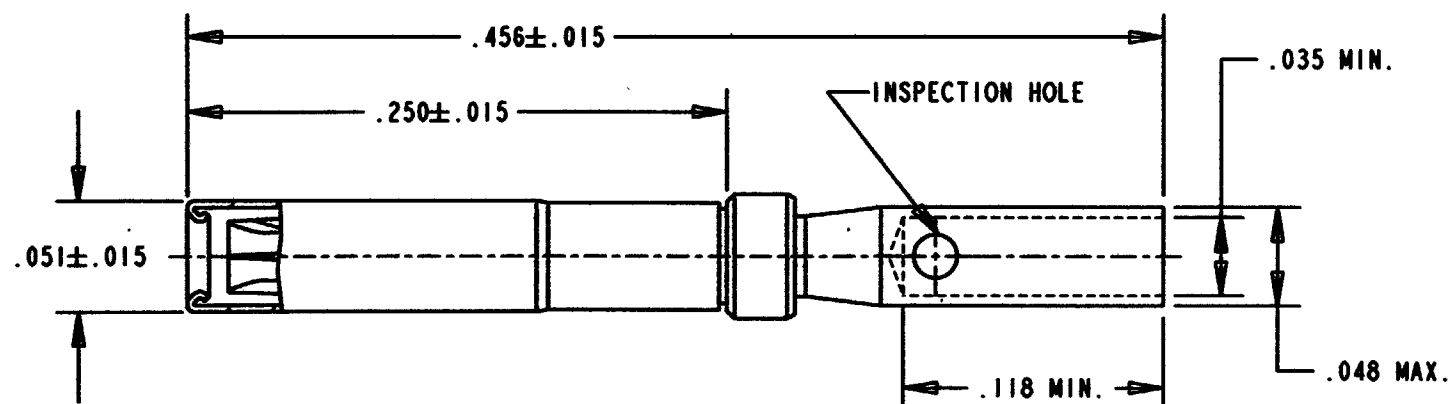


PROPERTY OF DEUTSCH E.C.D.

This drawing contains proprietary information that shall not be disclosed, duplicated, nor used in whole or in part for any purpose other than to evaluate this drawing.

H 2803-4-0000

REVISIONS			
REV	DESCRIPTION	DATE	APPROVED
H	REVISED PER E.O. C4907	3-30-01	[Signature]



5. CONTACT SHIPPED STANDARD WITH CONNECTOR.

4. MECHANICAL DATA:
 CONTACT RETENTION: 15 LBS. MINIMUM
 IN DIRECTION OF MATING FORCE.
 CRIMP STRENGTH: PER MIL-C-39029.

WIRE GAGE RANGE	CRIMP TOOL	INSERTION AND REMOVAL TOOL
22 THRU 26	DANIELS MH800-K127	MI5570-22-1

3. ELECTRICAL RATINGS:
 CURRENT: 5 AMPS MAX.
 CONTACT RESISTANCE: 7 M/V AT 3 AMPS WHEN
 MEASURED FROM REAR OF PIN CONTACT CRIMP
 BARREL TO REAR OF SOCKET CONTACT CRIMP BARREL.

WIRE INSULATION O.D.	STRIP LENGTH
.039" TO .054"	5/32" TO 3/16"
.033" TO .038"	1/8"

2. MATERIALS:
 BODY - COPPER ALLOY PER MIL-C-39029.
 SLEEVE - STAINLESS STEEL, PASSIVATED.

1. FINISH: .000050 MIN. GOLD OVER NICKEL

NOTES:

SIGNATURE & DATE	
DR	N. KELLY 3-29-01
CHK	[Signature] 3-30-01
PE	[Signature] 3-30-01
APP	[Signature] 4/2/01
SCALE	OF .000165 LBS.

CONTACT, SOCKET
 22 GAGE SUBMINIATURE
 RAER INSERTION & REMOVAL

ENVELOPE

CP	DEUTSCH
	ENGINEERED CONNECTING DEVICES
	5733 W. Whittier Ave.
	Downey, California
A	2803-4-0000
11170	SHEET 1 of 1