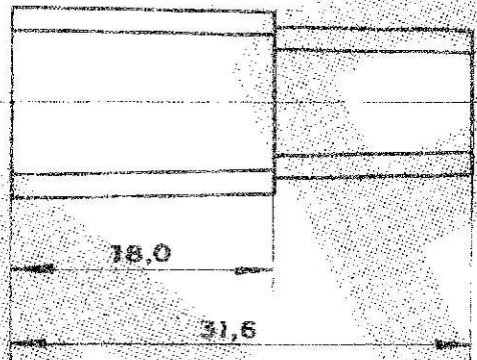
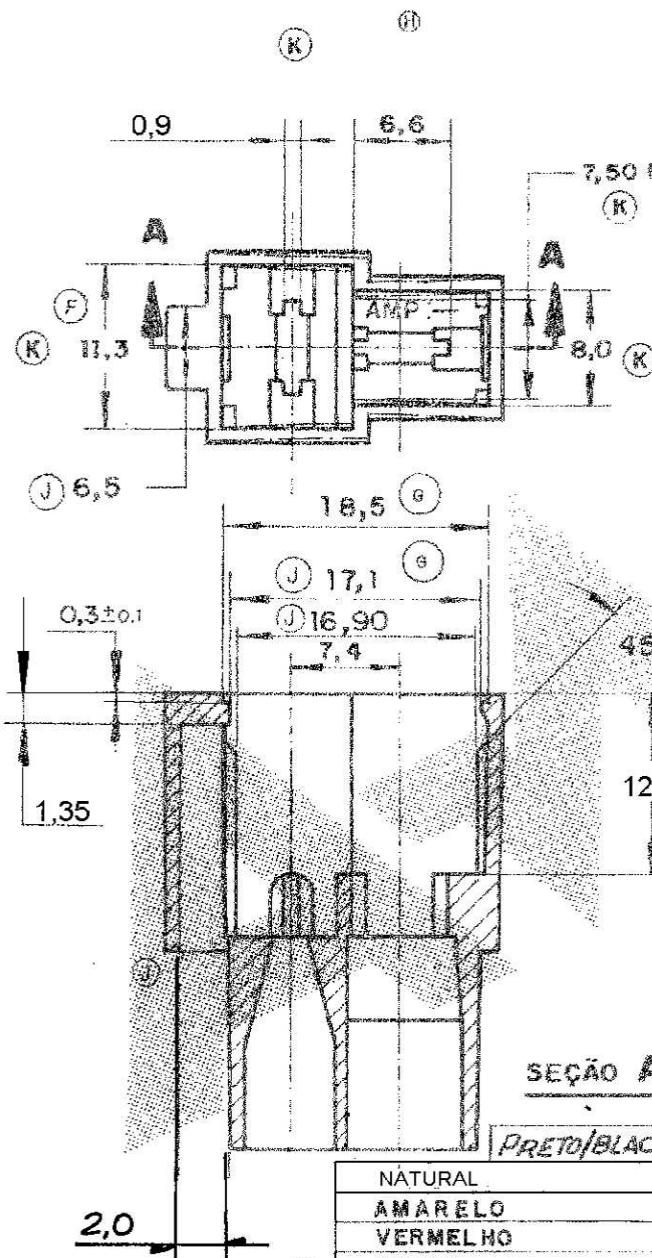


DO NOT SCALE  
DIMENSIONS IN MM.

**METRIC**

3rd ANGLE PROJECTION



- (K) 1 - PAREDES NÃO ESPECIFICADAS 1,0  
UNSPECIFIED WALL THK 1,0
- 2 - PA 6.6 NATURAL, MATERIAL ACC TO SPEC.  
IEC 60335-1, GWT 750°C, WITHOUT FLAME.
- 3 ESTABILIZADO AO CALOR  
HEAT STABILIZED
- 4 OBSOLETE PARTS: OBSOLETE CIS  
STREAMLINING PER D.RENAUD/D.SINISI

SEÇÃO A-A

~~OBSOLETO~~  
~~OBSOLETO~~

OTHER TREATMENT	FINISH	MATERIAL	PART NUMBER
	PRETO/BLACK	PA 6.6 3	- 9
	NATURAL	NYLON 6.6 V0 2	- 8
	AMARELO		- 7
	VERMELHO		- 6
	PRETO	NYLON 6,6	- 5
	AMARELO TINGIDO		- 4
	VERMELHO TINGIDO		- 3
	PRETO TINGIDO	FEITO DO 1	- 2
	NATURAL	NYLON 6,6	880 310 - 1

**CUSTOMER DWG**  
for REFERENCE ONLY

TOLERANCES UNLESS OTHERWISE STATED  
DEC ±0,3  
ANGLES ±1°

INS DIA. RANGE WIRE RANGE SCALE



ISS	REVISION RECORD	DR	APR	DATE	APP.
P2	REVISED BY ECO19-000212	WLS	WLS	05FEB19	CHK.
P1	Rev. Eco 17.013915	HC	HC	21SEP17	DR
P	REVISED BY ECO 12-002341	HC	WLS	06FEB12	DE.
N2	REVISED PER ECO-11-005139	RK	HMR	28MAR11	

DR *[Signature]*  
3007 27 83  
35 30  
83

DESCRIPTION	DWG NO	SHEET
2 WAY .250 S. FAST-IN-ON TAB HSG.	A 4 C 880 310	1 of 1