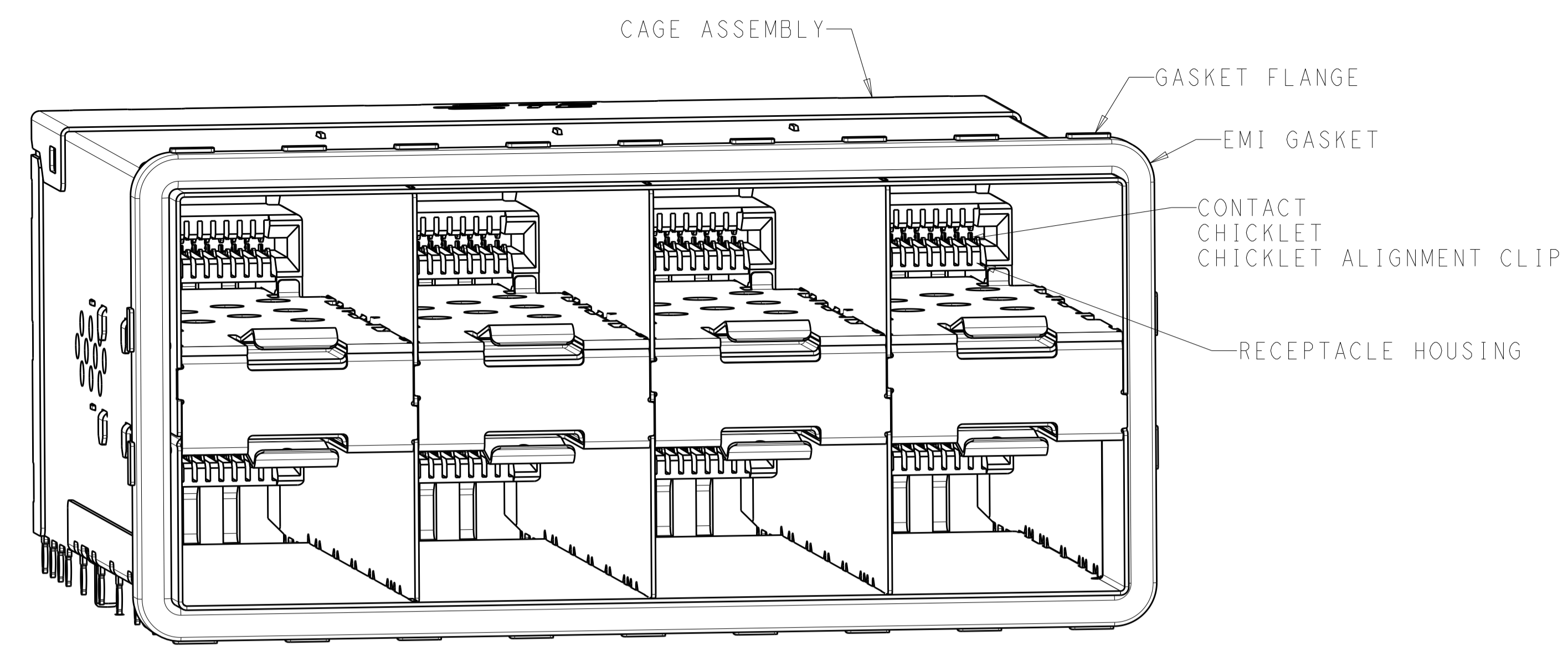
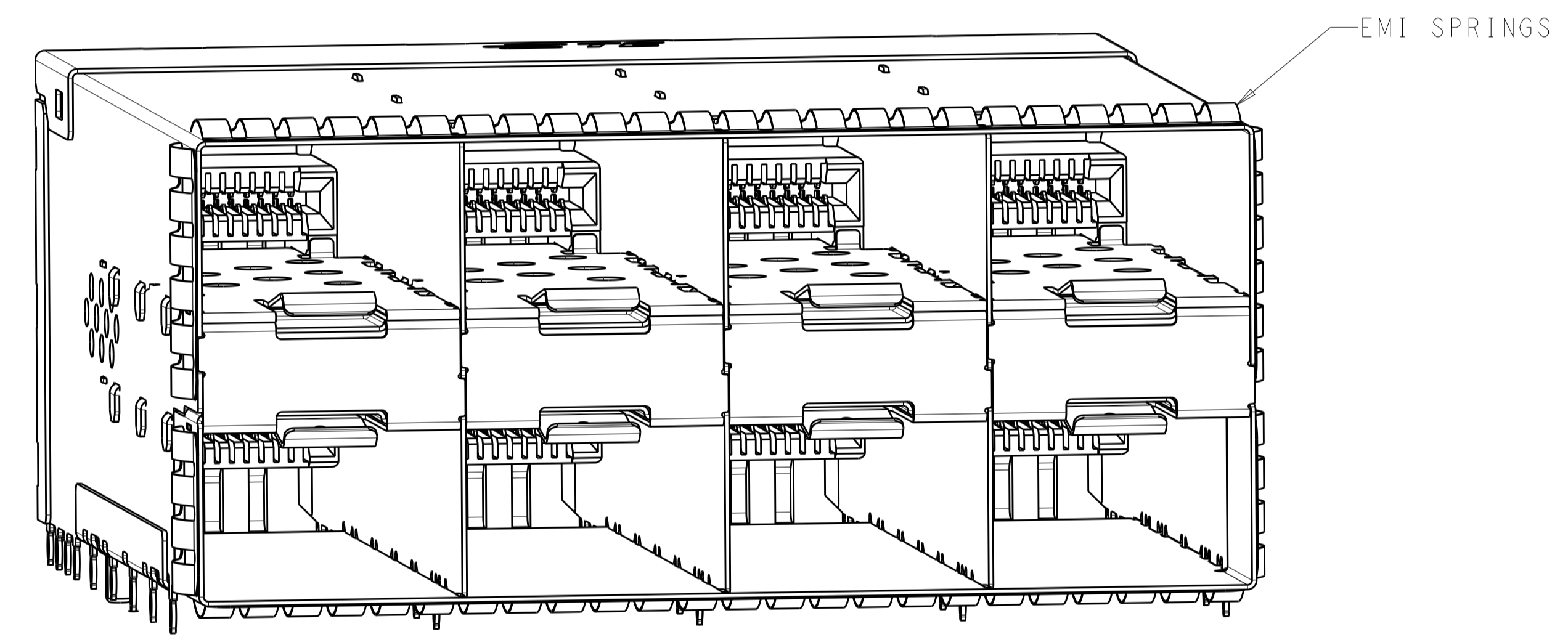


LOC	DIST	REVISIONS					
GP	00	P	LTN	DESCRIPTION	DATE	DMN	APVD
		A		PRODUCTION RELEASE	05JUN2019	JW	SH

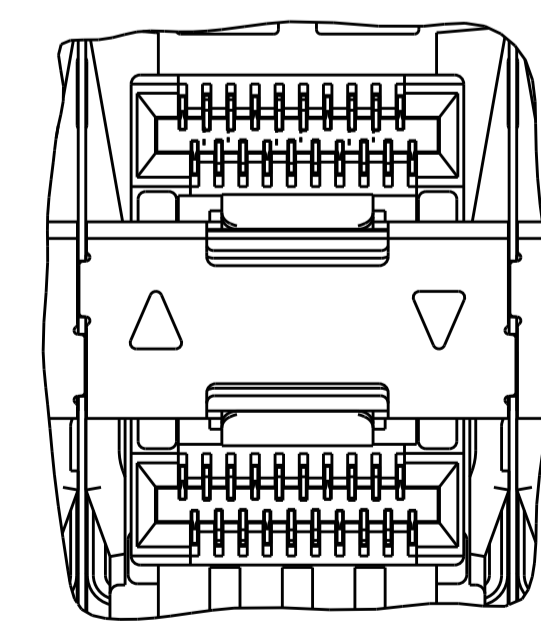
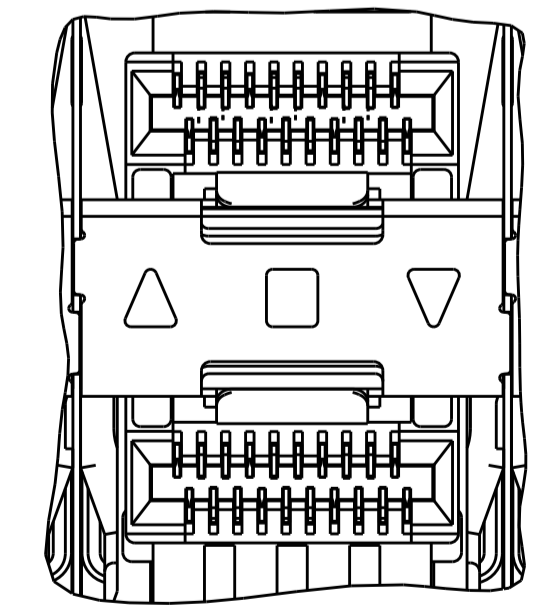
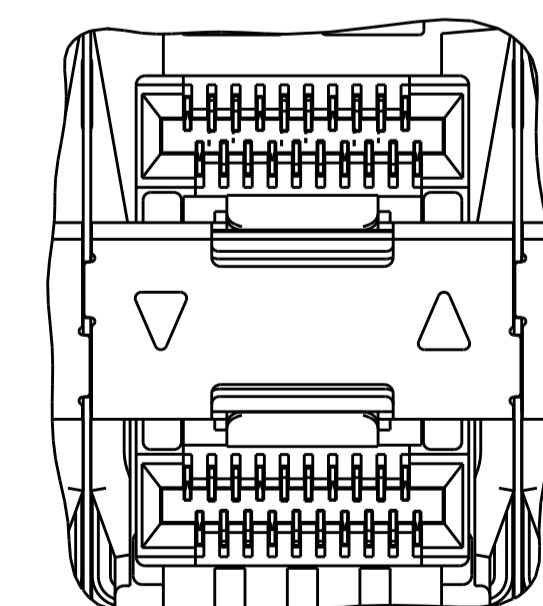
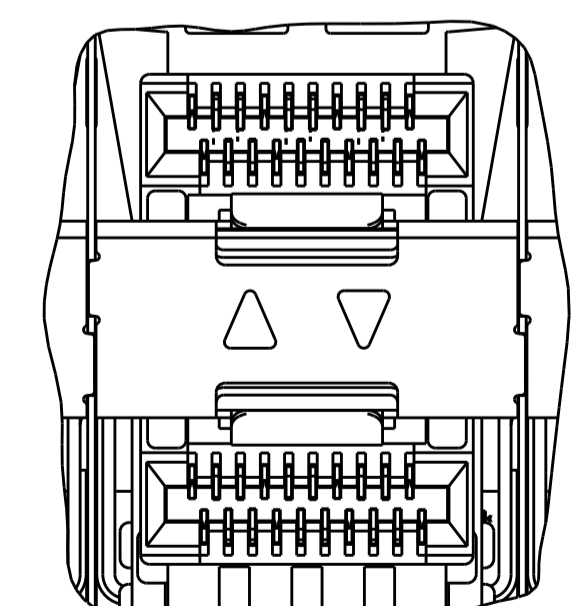
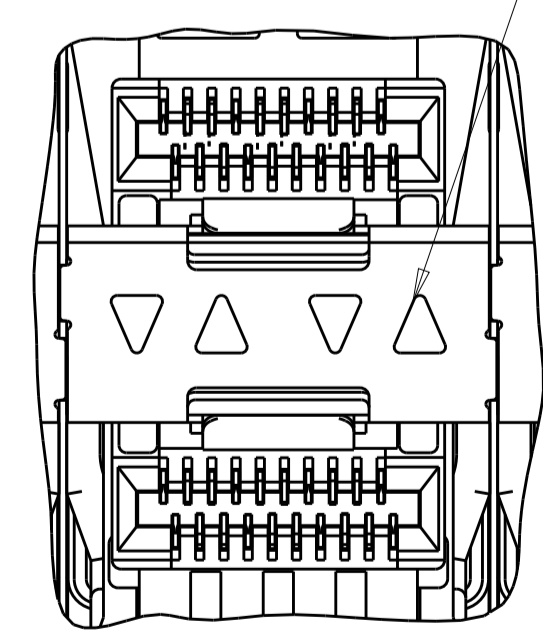


2339978-1  
SCALE 4:1



2339978-5  
SCALE 4:1

LIGHT PIPE  
LIGHT PIPE PLATE



INNER/OUTER LIGHT PIPES  
2339978-2, 2339978-6  
SCALE 4:1

INNER LIGHT PIPES  
2339978-3, 2339978-7  
SCALE 4:1

OUTER LIGHT PIPES  
2339978-4, 2339978-8  
SCALE 4:1

CENTER/REVERSED OUTER  
1-2339978-7, 1-2339978-9  
SCALE 4:1

REVERSED OUTER LIGHT PIPES  
1-2339978-8, 2-2339978-0  
SCALE 4:1

- MATERIALS:  
 CAGE ASSEMBLY - NICKEL-SILVER ALLOY PER ASTM B 122  
 CONNECTOR HOUSING - LCP, BLACK, UL 94V-O RATED  
 CHICKLET - LCP, BLACK, UL 94V-O RATED  
 CHICKLET ALIGNMENT CLIP - LCP, BLACK, UL 94V-O RATED  
 CONTACT - COPPER ALLOY  
 EMI GASKET - ELASTOMERIC  
 GASKET FLANGE - STAINLESS STEEL  
 EMI SPRINGS - PHOSPHOR BRONZE PER ASTM B 103,  
 0.8µm MIN TIN PER ASTM B 545  
 LIGHT PIPE - POLYCARBONATE  
 INSULATOR TAPE: KAPTON  
 LIGHT PIPE PLATE- STAINLESS STEEL
  - CONTACT FINISH:  
 CONFORMS TO THE REQUIREMENTS OF PRODUCT SPECIFICATION 108-2481,  
 BASED ON EIA/ECA-364-1000.01A, (CONTROLLED ENVIRONMENT  
 APPLICATIONS) ON MATING INTERFACE, TIN ON NEEDLE EYE
  - PCB MINIMUM THICKNESS = 1.5mm
- △ FOR HOLE SIZE AND PLATINGS,  
 SEE APPLICATION SPECIFICATION 114-13319
- △ LIGHT PIPE PAD LAYOUT IS FOR 0805 LOW PROFILE  
 LED PACKAGE WITH A HEIGHT OF 0.8mm
- △ DIMENSIONS APPLY FOR EMI SPRINGS ONLY
- △ THE ENTIRE AREA OF THE CONNECTOR FOOTPRINT, INDICATED BY THE  
 DASHED LINE, TO BE CONSIDERED THE KEEPOUT AREA FOR COMPONENTS  
 AND SIGNAL TRACES, TOP SIDE ONLY, TOP SIDE TRACES ALLOWED  
 WITHIN CONNECTOR HOLE PATTERN

59.5	EMI SPRING INSULATOR TAPE AIRFLOW ENHANCE TYPE	NONE	3-2339978-4
59.5	EMI SPRING AIRFLOW ENHANCE TYPE	OUTER	3-2339978-3
59.5	EMI SPRING AIRFLOW ENHANCE TYPE	CENTER/REVERSED OUTER	3-2339978-2
59.5	EMI SPRING AIRFLOW ENHANCE TYPE	NONE	3-2339978-1
62.25	EMI GASKET AIRFLOW ENHANCE TYPE	NONE	3-2339978-0
59.5	EMI SPRINGS	REVERSED OUTER	2-2339978-0
		CENTER/REVERSED OUTER	1-2339978-9
62.25	EMI GASKET	REVERSED OUTER	1-2339978-8
		CENTER/REVERSED OUTER	1-2339978-7
59.5	EMI SPRINGS	OUTER	2339978-8
		INNER	2339978-7
		INNER/OUTER	2339978-6
62.25	EMI GASKET	NONE	2339978-5
		OUTER	2339978-4
		INNER	2339978-3
		INNER/OUTER	2339978-2
		NONE	2339978-1
(E)	CAGE TYPE	LIGHT PIPE CONFIGURATION	PART NUMBER

THIS DRAWING IS A CONTROLLED DOCUMENT.

DMN: J. WANG 17JUL2018  
 CHK: S. HAN 17JUL2018  
 APVD: S. HAN 17JUL2018

TE Connectivity

NAME: RECEPTACLE ASSEMBLY, 2X4, STACKED, SFP56

PRODUCT SPEC: 108-2481  
 APPLICATION SPEC: 114-13319

SIZE: A1  
 CAGE CODE: 00779  
 DRAWING NO: 2339978

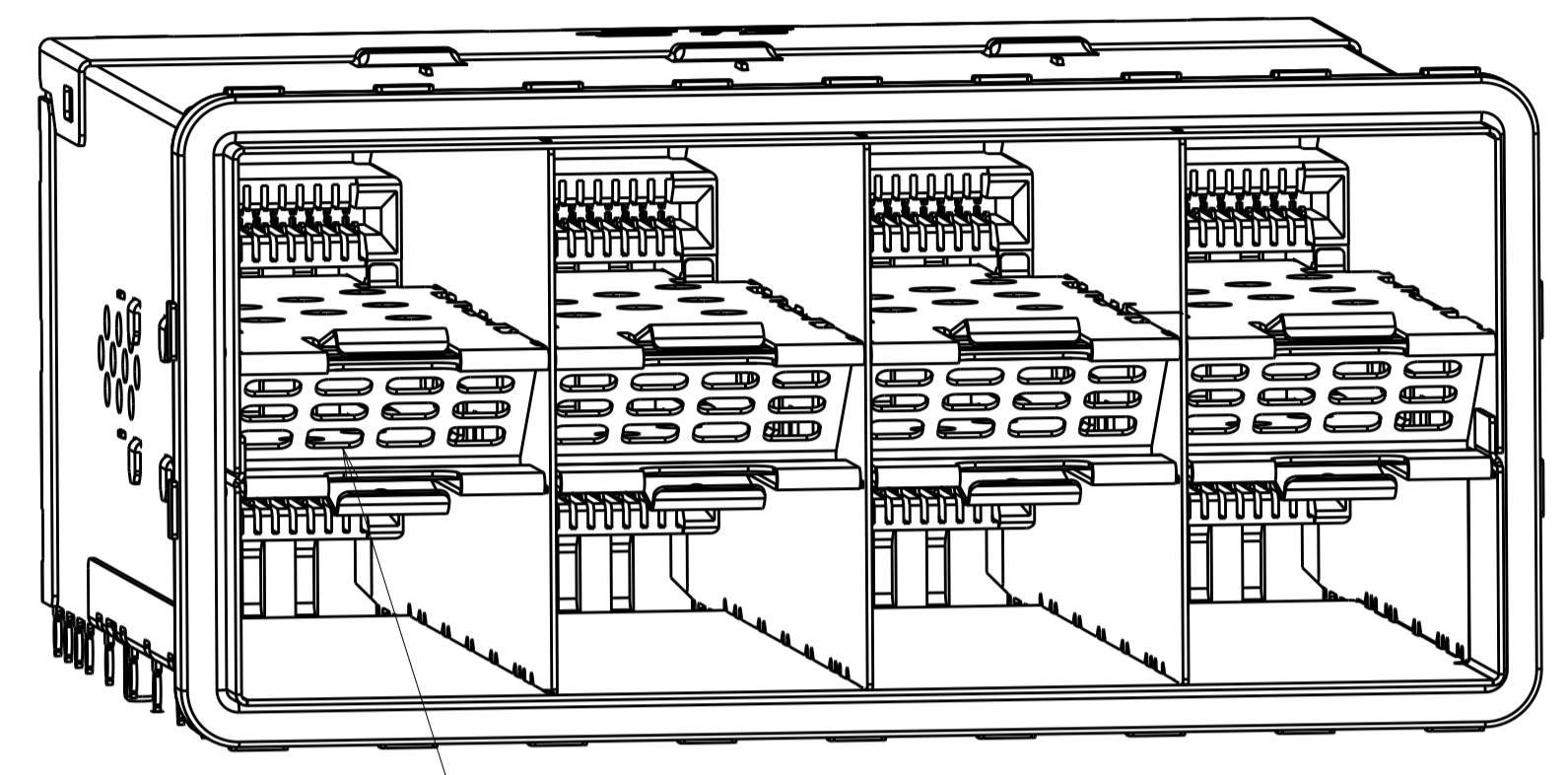
RESTRICTED TO: -

SCALE: 4:1 SHEET 1 OF 7 REV A

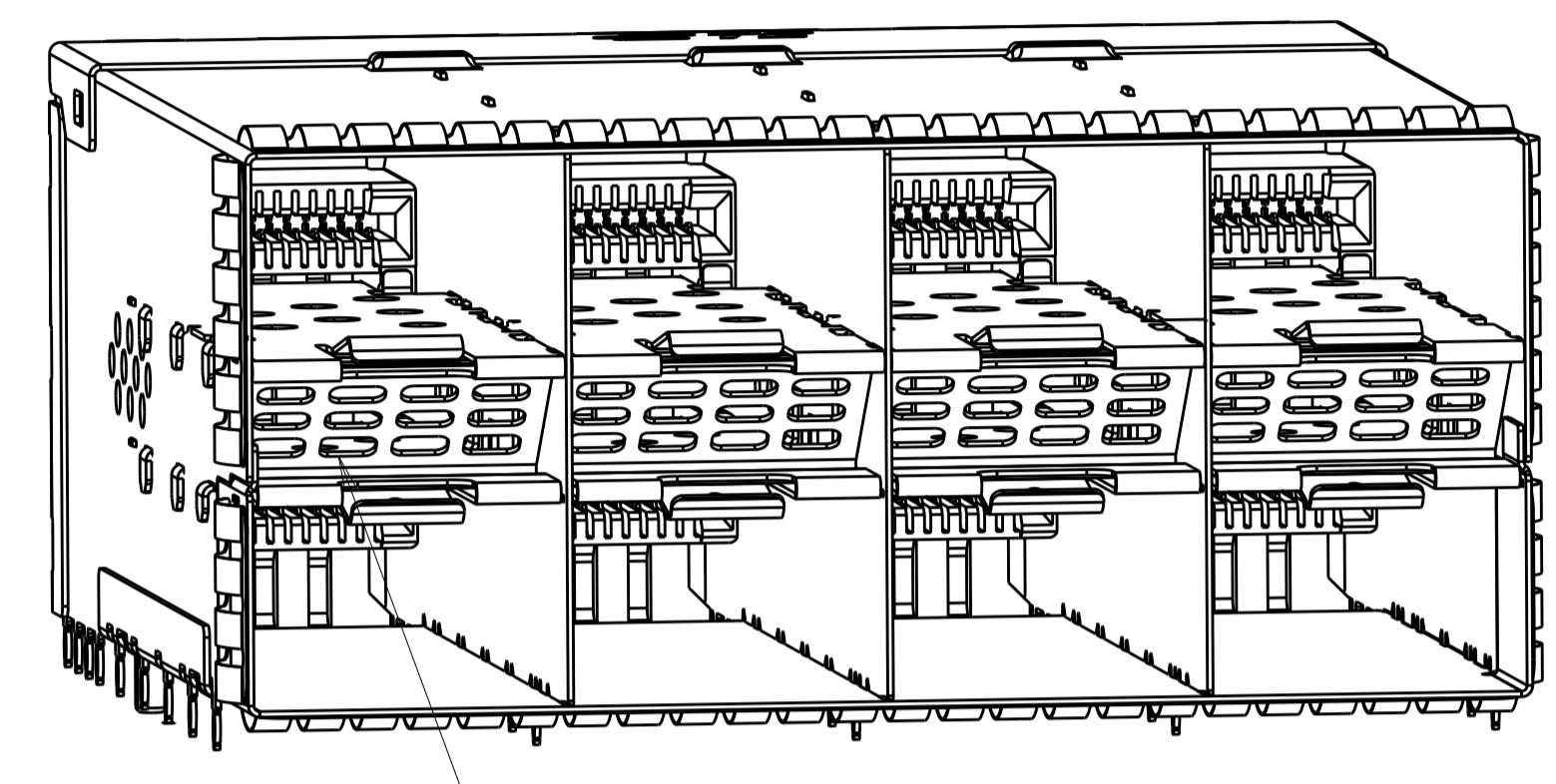
CUSTOMER DRAWING

LOC	DIST	REVISIONS					
GP	00	P	LTN	DESCRIPTION	DATE	DMN	APVD
-	-	-	-	SEE SHEET 1	-	-	-

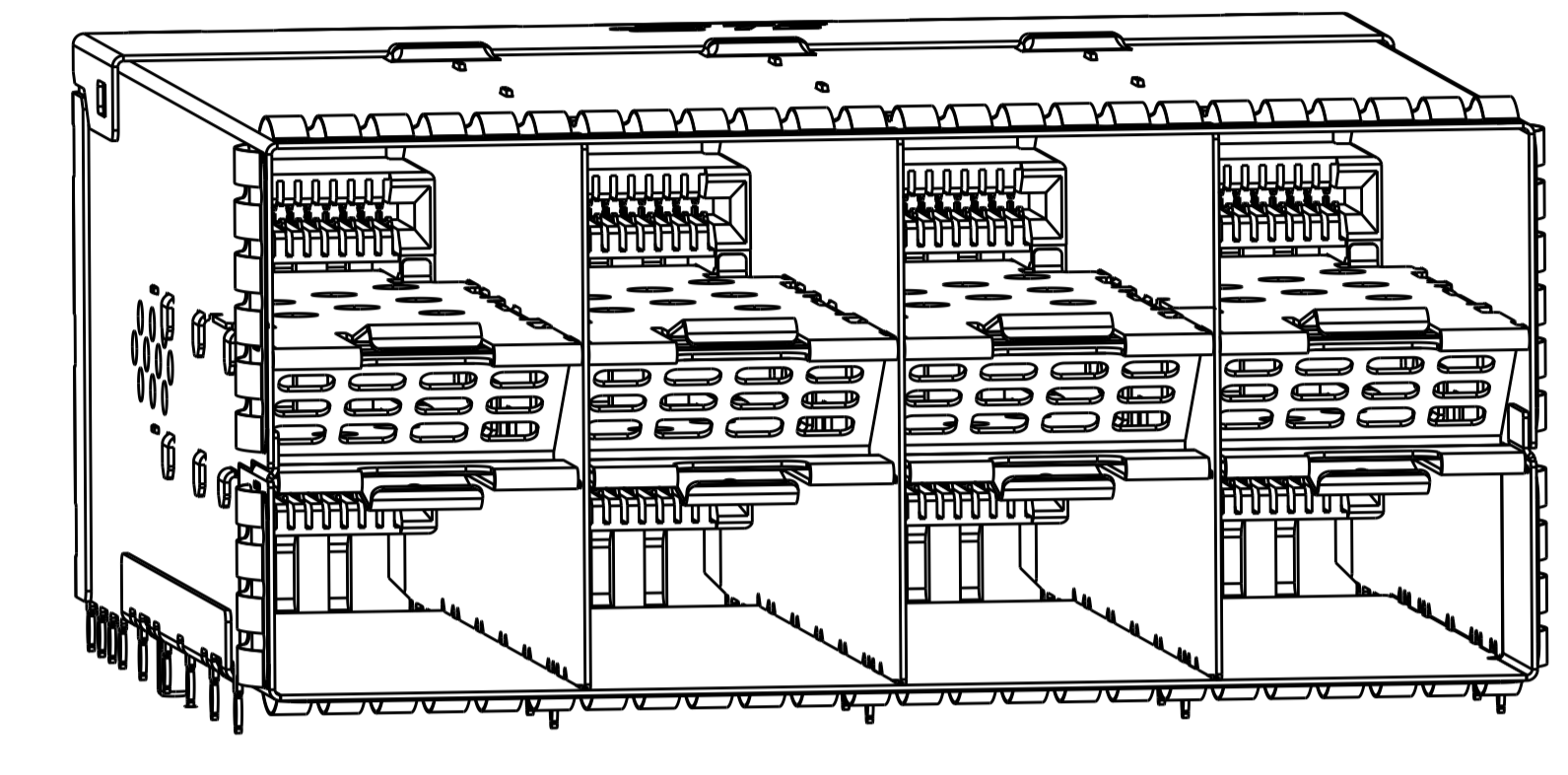
# AIRFLOW ENHANCE W/O LP TYPE



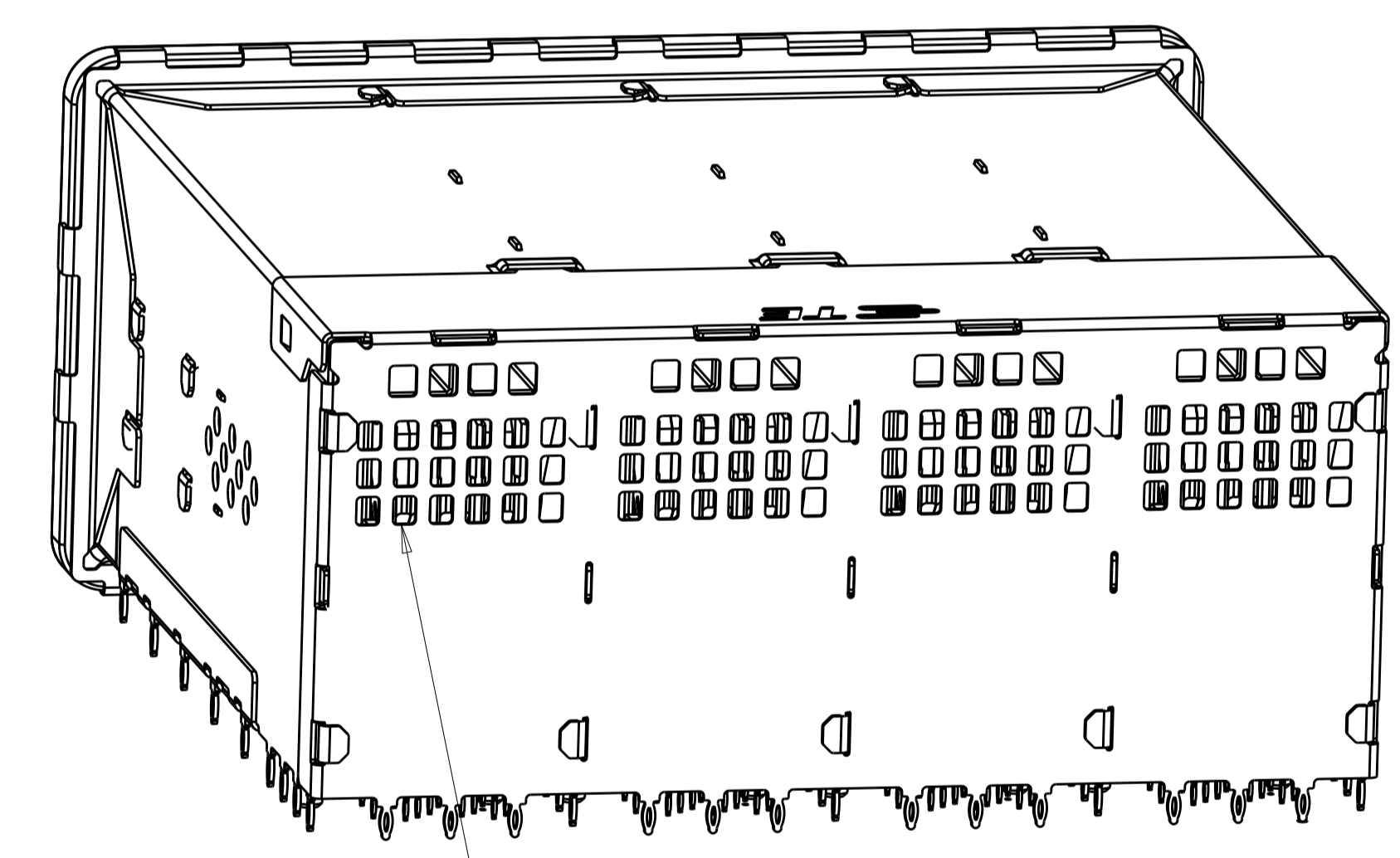
AIR VENTS



AIR VENTS

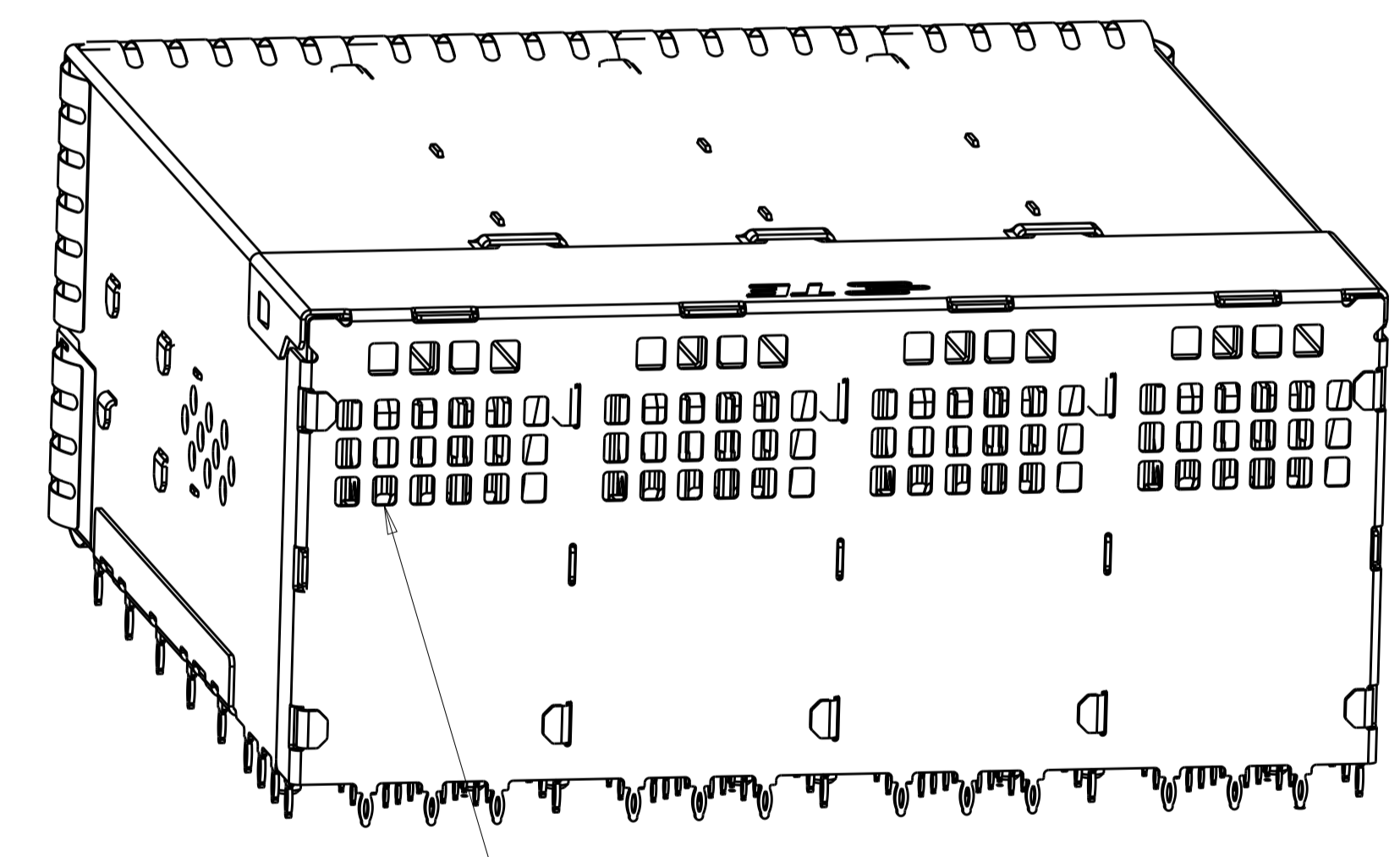


INSULATOR TAPE



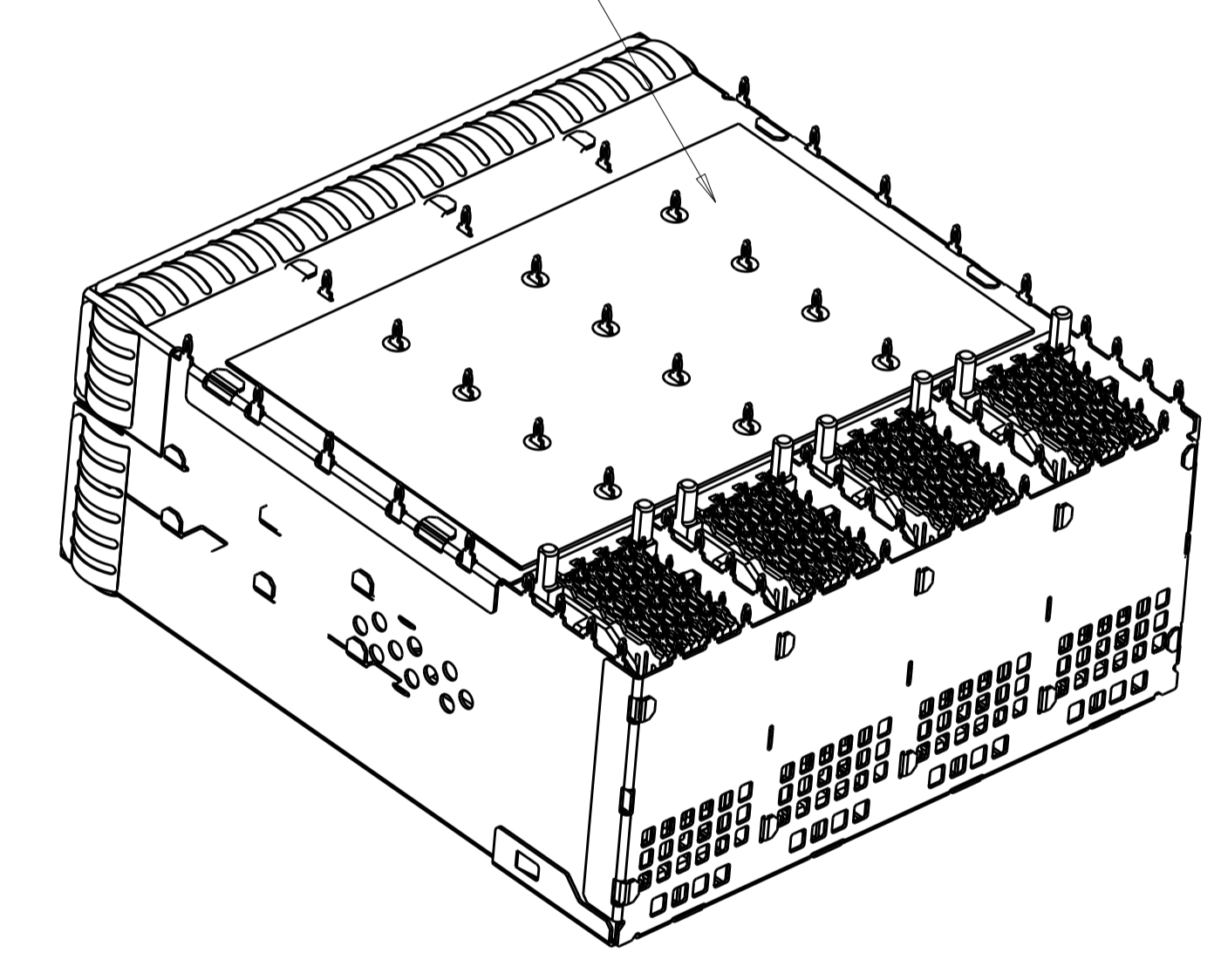
AIR VENTS

3-2339978-0  
EMI GASKET TYPE



AIR VENTS

3-2339978-1  
EMI SPRING TYPE



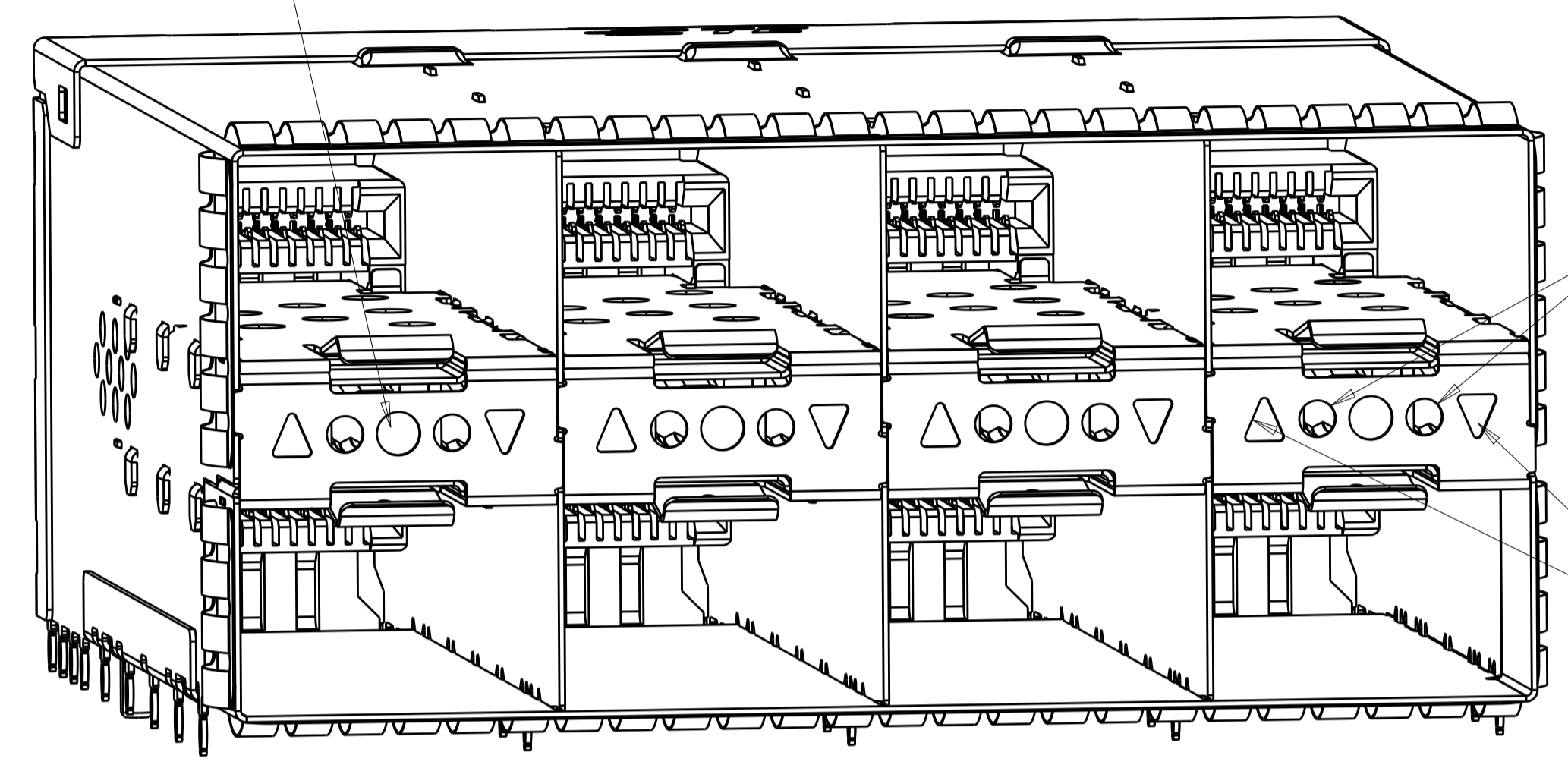
3-2339978-4  
SCALE 3:1

THIS DRAWING IS A CONTROLLED DOCUMENT.		DMN J. WANG 17JUL2018	TE Connectivity
DIMENSIONS:		CHK S. HAN 17JUL2018	
mm	TOLERANCES UNLESS OTHERWISE SPECIFIED:	APVD S. HAN 17JUL2018	NAME RECEPTACLE ASSEMBLY, 2X4, STACKED, SFP56
	0 PLC ±0.25 1 PLC ±0.25 2 PLC ±0.25 3 PLC ±0.25 4 PLC ±0.25 ANGLES ±°	PRODUCT SPEC 108-2481	SIZE A100779
MATERIAL SEE NOTES	FINISH SEE NOTES	APPLICATION SPEC 114-13319	RESTRICTED TO
CUSTOMER DRAWING		WEIGHT	SCALE 4:1 SHEET 2 OF 7 REV A

LOC	DIST	REVISIONS			
GP	00	REV	DATE	BY	APPV
-	-	SEE SHEET 1	-	-	-

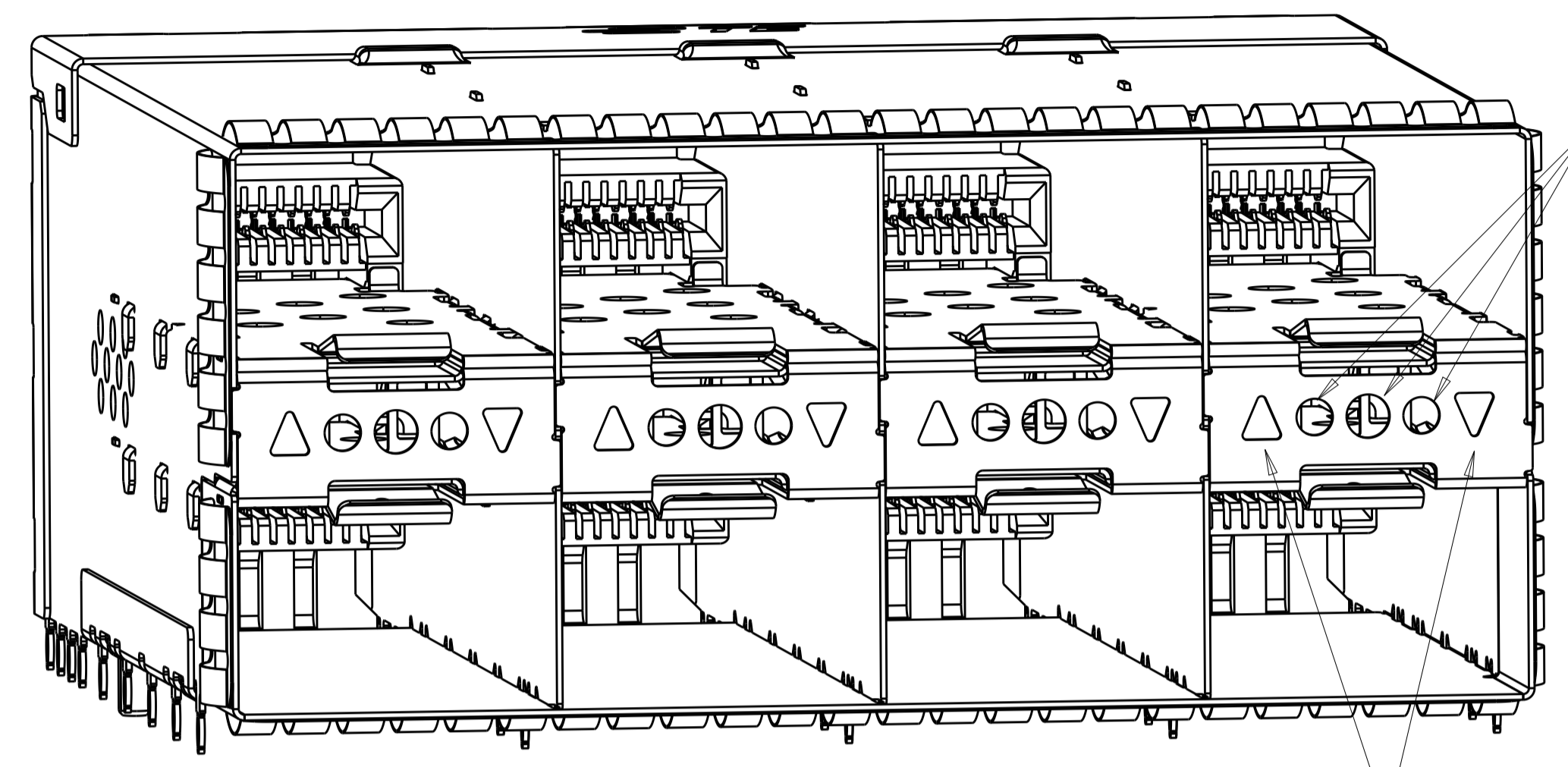
# AIRFLOW ENHANCE W/ LP TYPE

INNER LIGHT PIPE



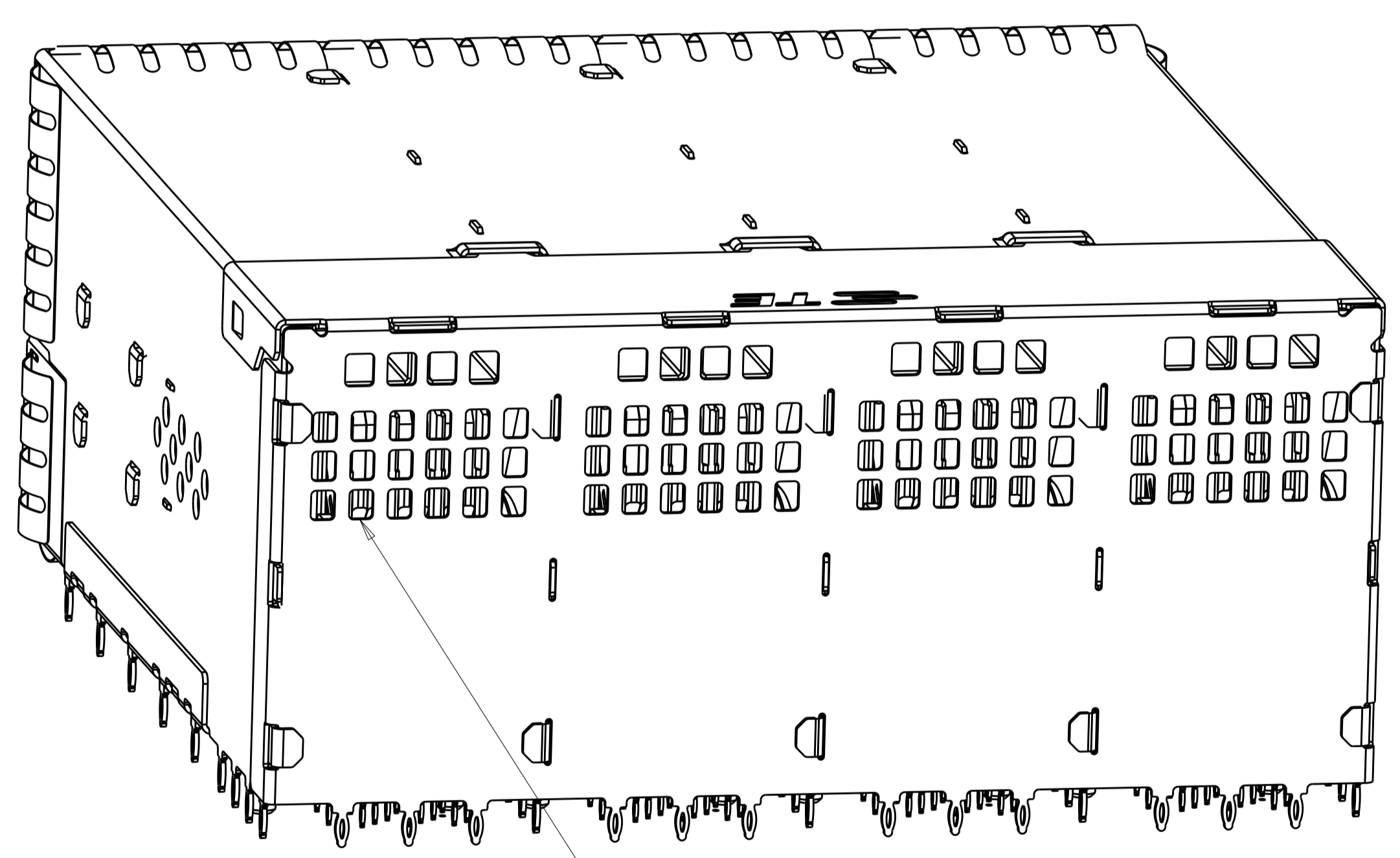
AIR VENTS

OUTER LIGHT PIPE



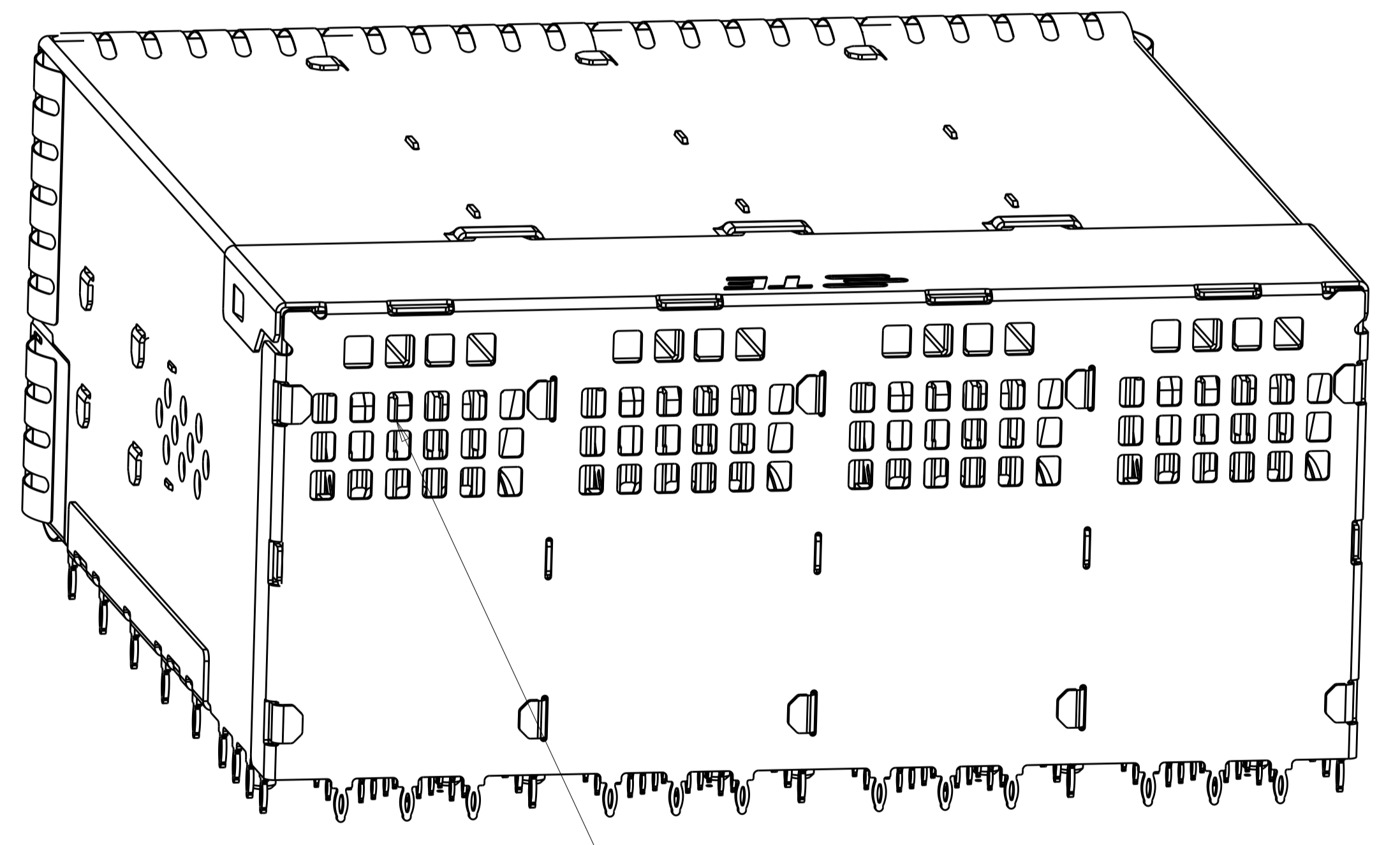
AIR VENTS

OUTER LIGHT PIPE



AIR VENTS

3-2180324-2  
EMI SPRING W/ LP TYPE

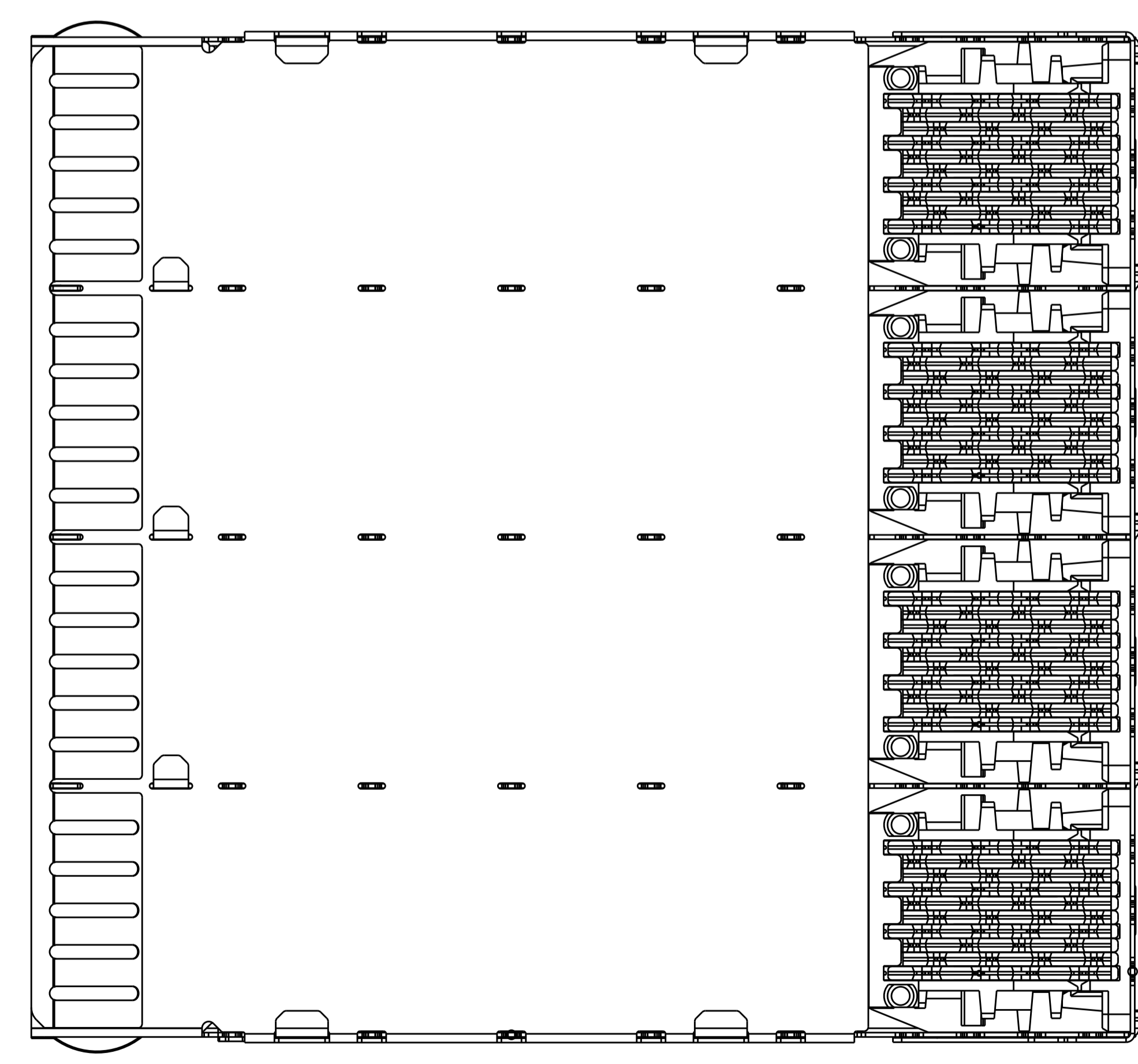
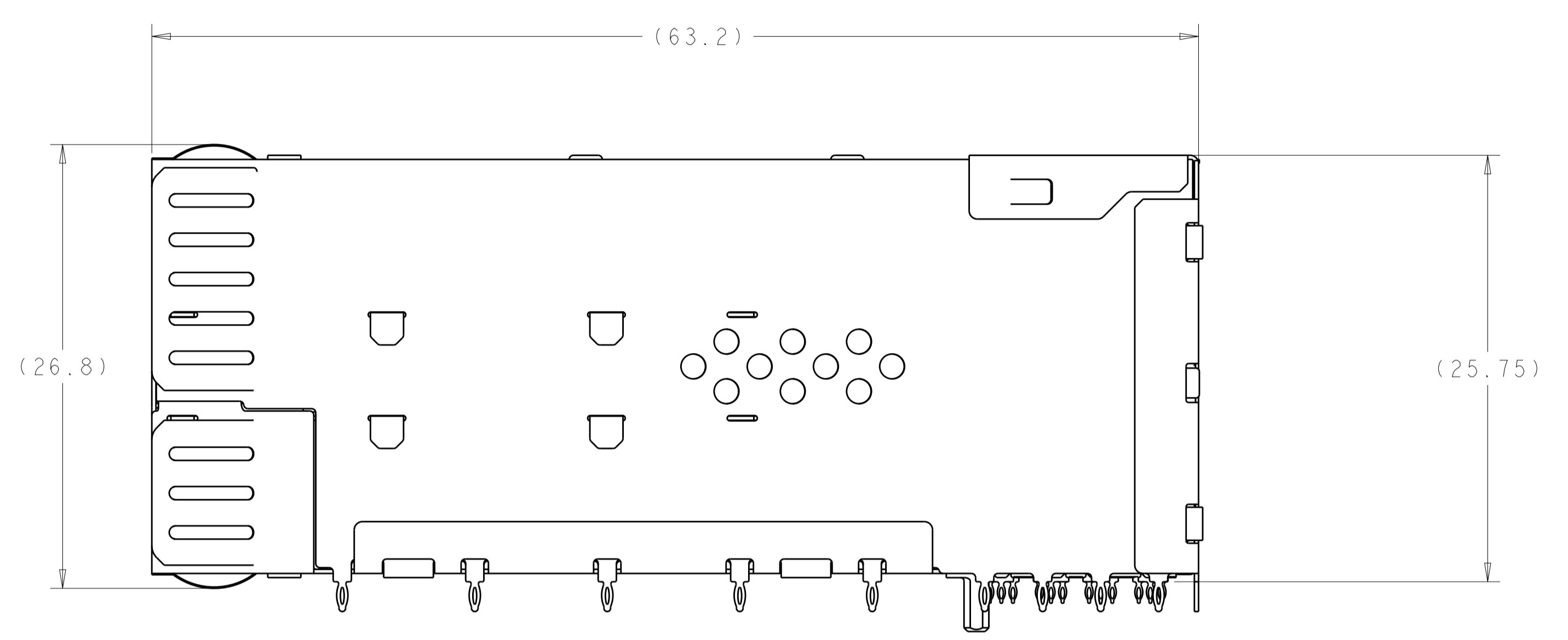
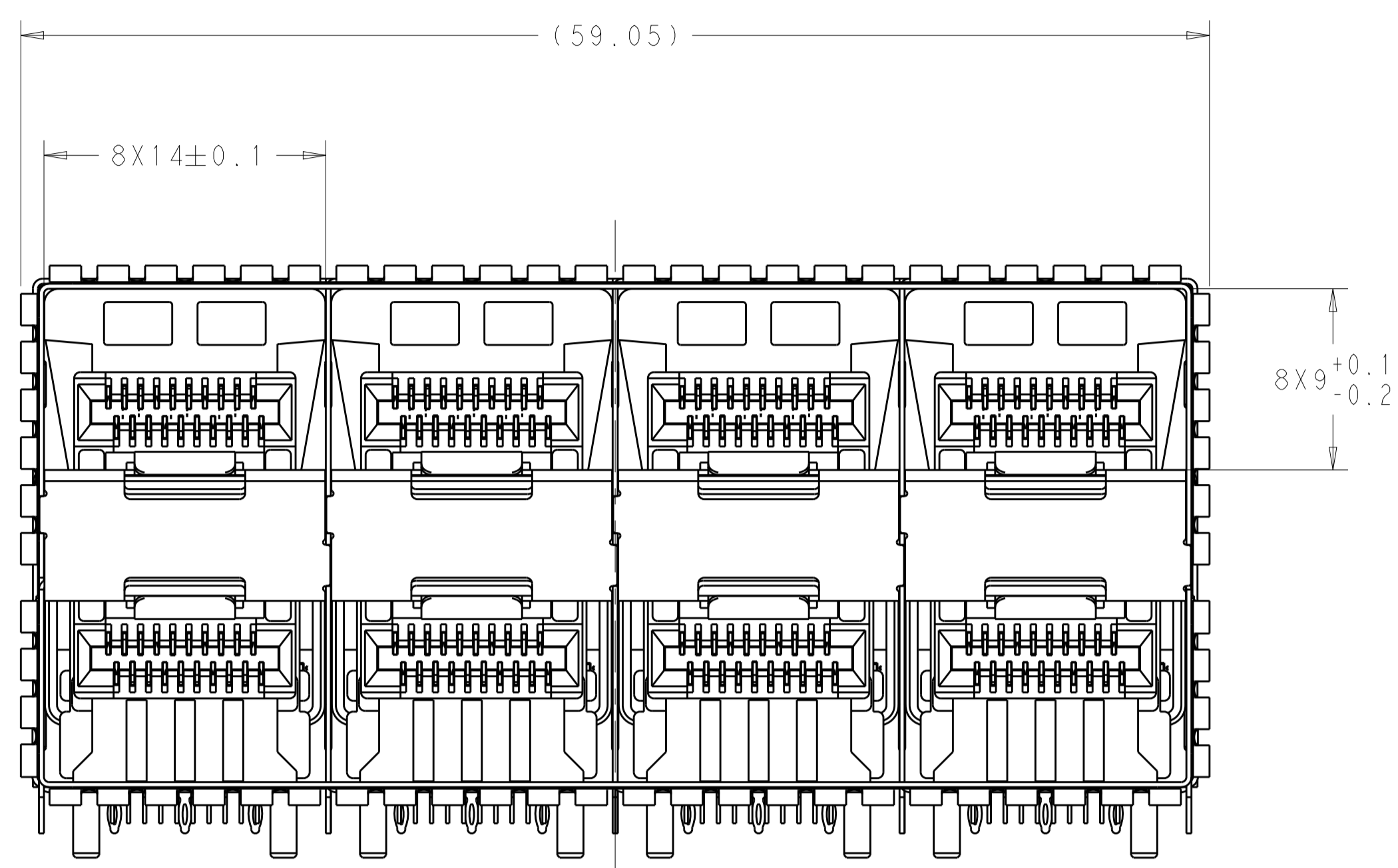


AIR VENTS

3-2180324-3  
EMI SPRING W/ OUTER LP TYPE

THIS DRAWING IS A CONTROLLED DOCUMENT.		OWN J. WANG 17JUL2018	TE Connectivity
DIMENSIONS:		CHK S. HAN 17JUL2018	
mm	TOLERANCES UNLESS OTHERWISE SPECIFIED:	APV S. HAN 17JUL2018	NAME RECEPTACLE ASSEMBLY, 2X4, STACKED, SFP56
	0 PLC ±0.25 1 PLC ±0.25 2 PLC ±0.25 3 PLC ±0.25 4 PLC ±0.25 ANGLES ±°	PRODUCT SPEC 108-2481	SIZE A1
MATERIAL SEE NOTES	FINISH SEE NOTES	APPLICATION SPEC 114-13319	CAGE CODE DRAWING NO 00779C=2339978
		WEIGHT	RESTRICTED TO
		CUSTOMER DRAWING	SCALE 4:1 SHEET 3 OF 7 REV A

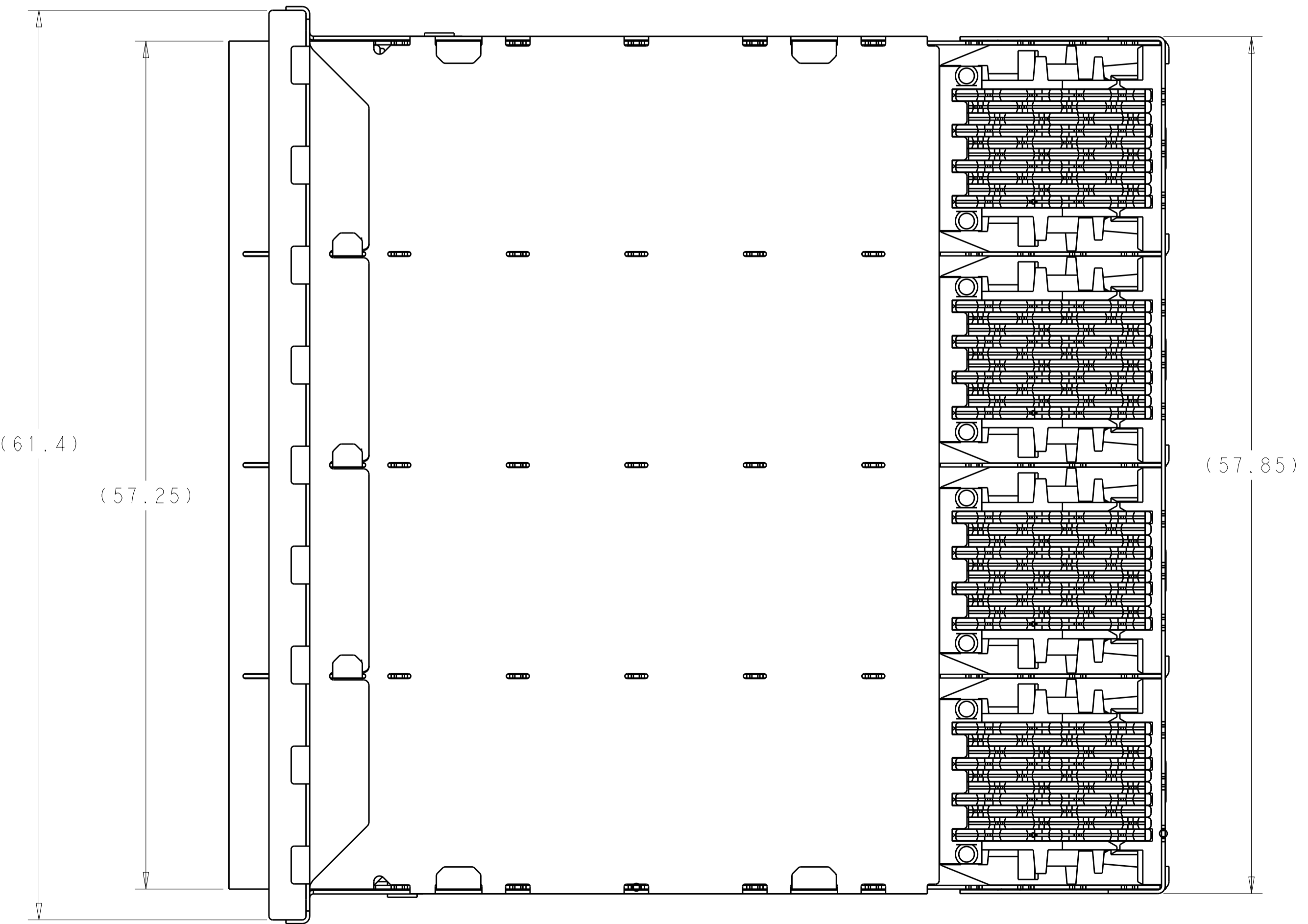
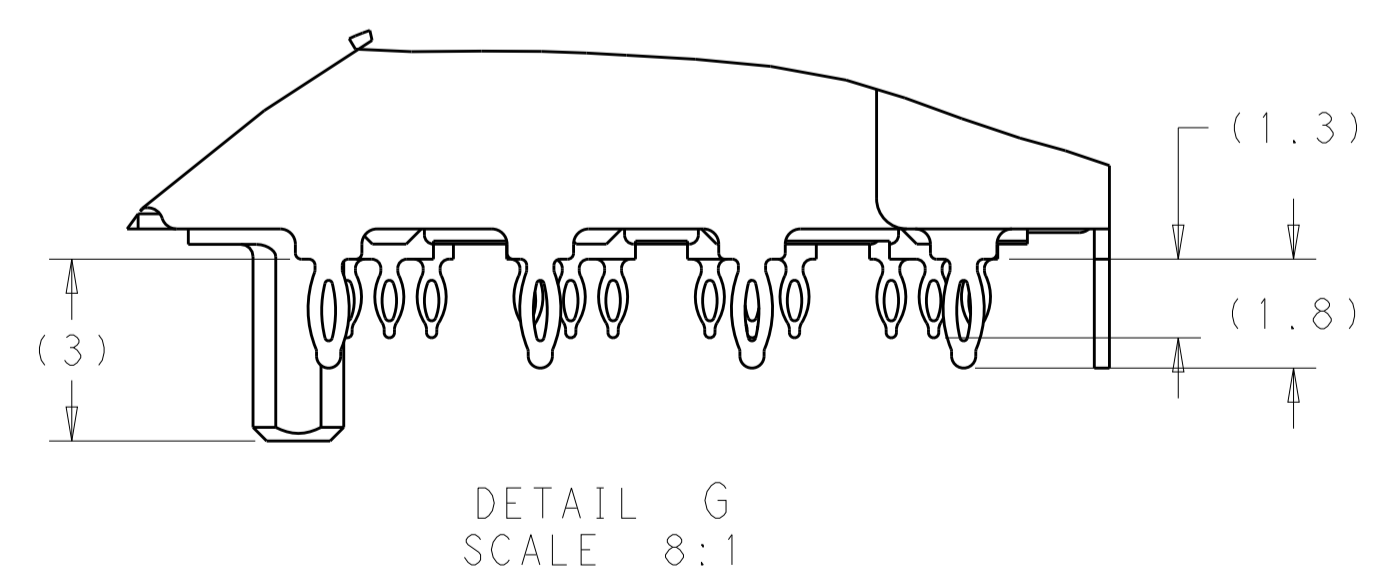
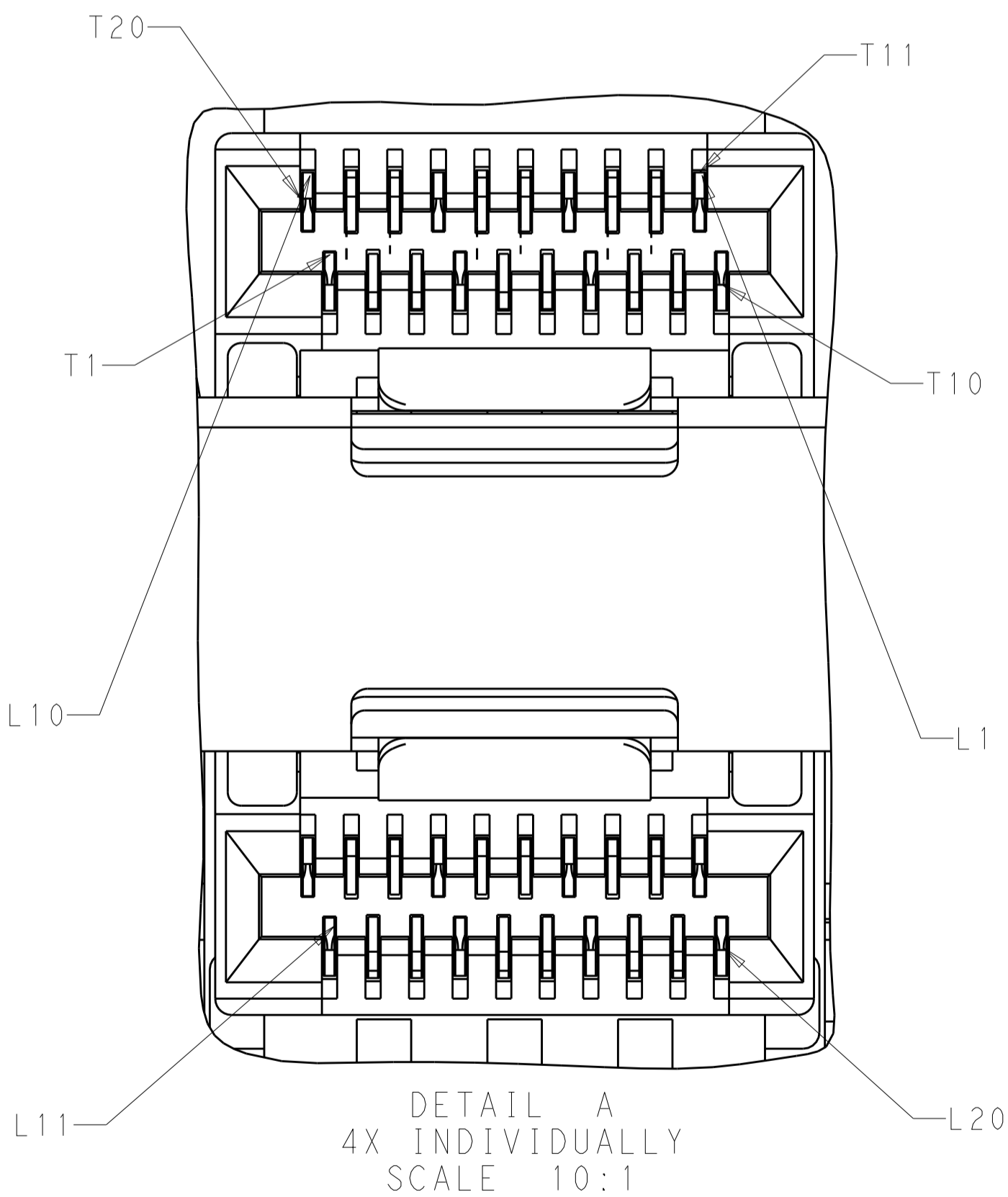
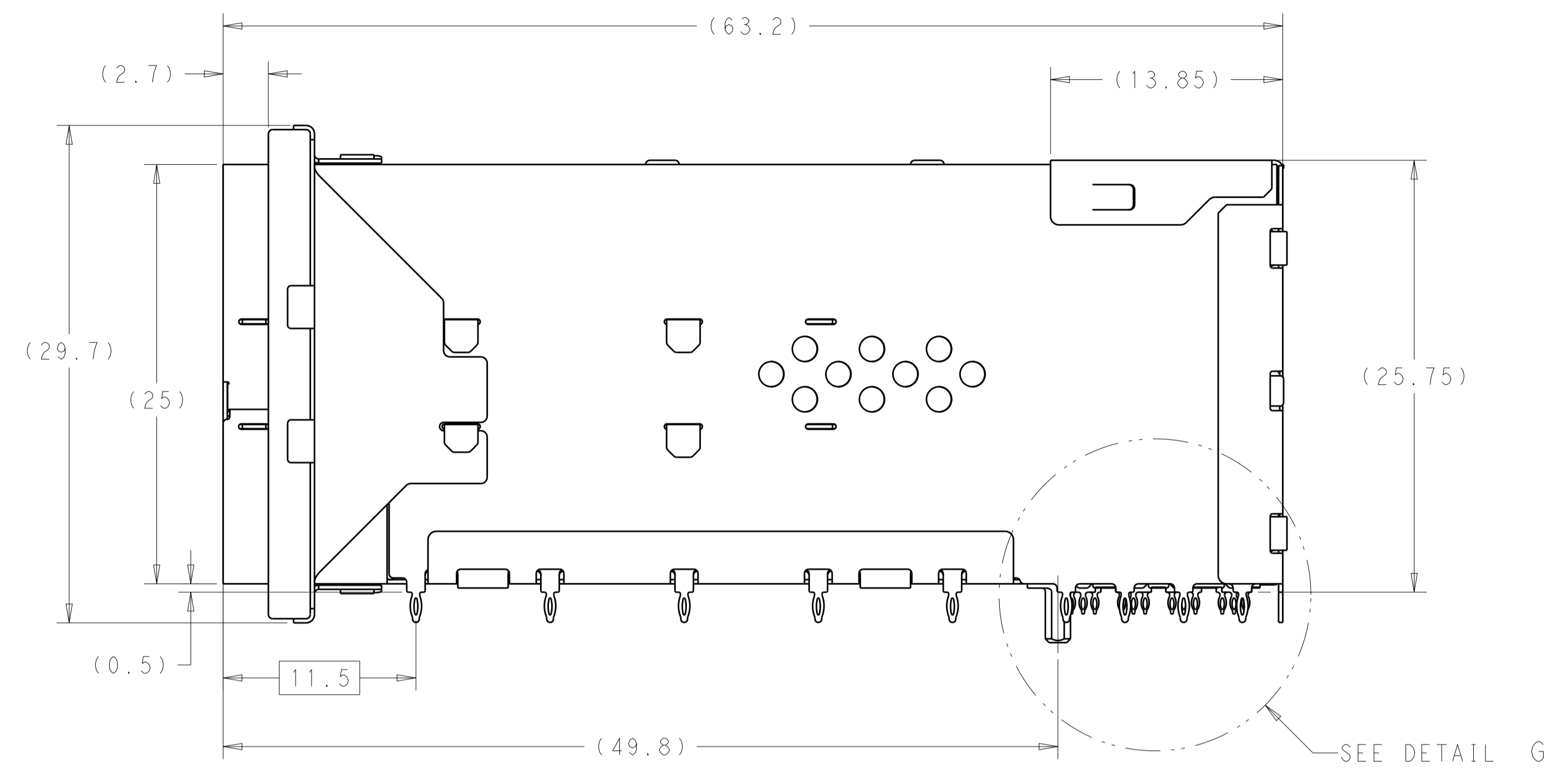
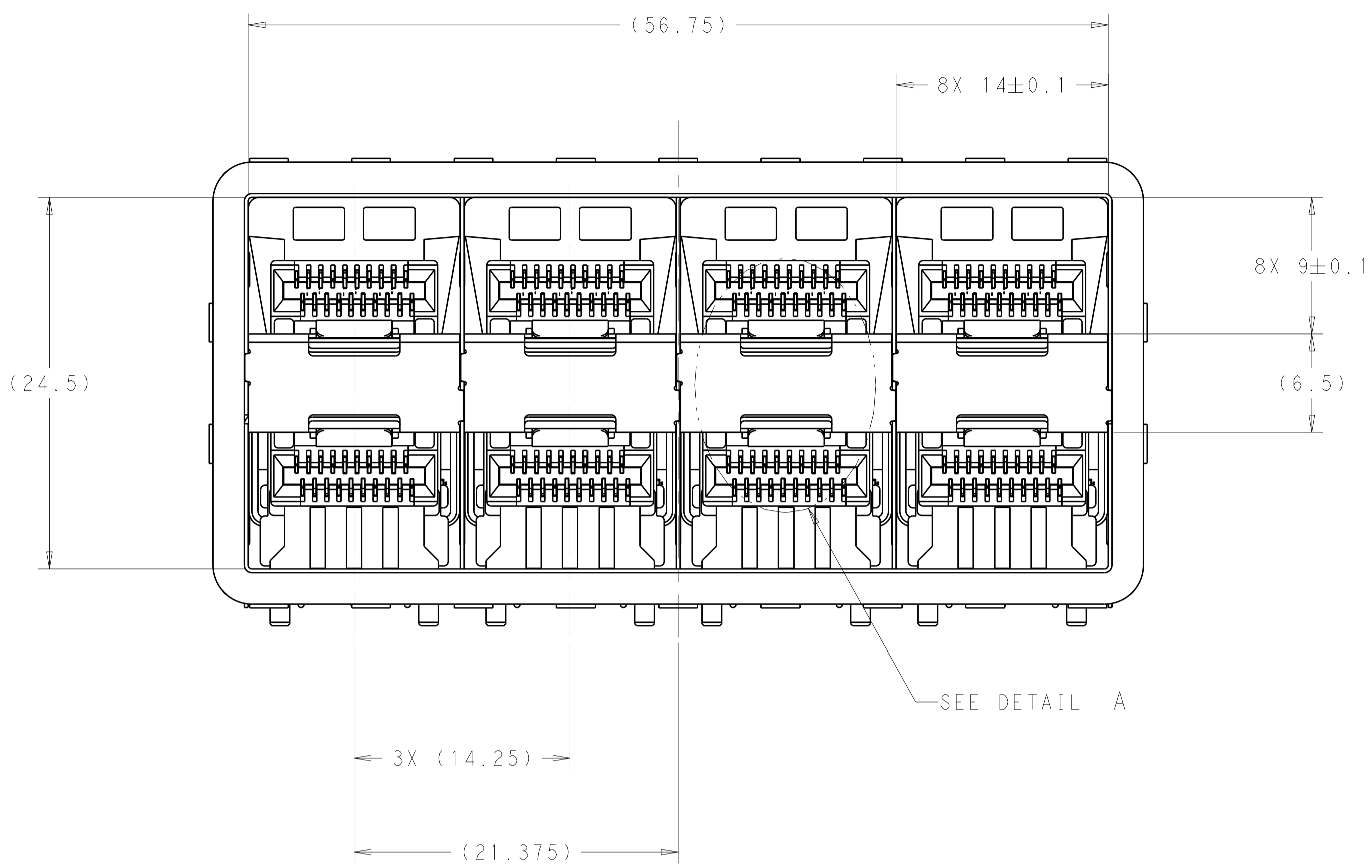
LOC	DIST	REVISIONS			
P	LTN	DESCRIPTION	DATE	DMN	APVD
-	-	SEE SHEET 1	-	-	-



EMI SPRINGS VERSIONS ONLY  
 SCALE 4:1

THIS DRAWING IS A CONTROLLED DOCUMENT.		DMN J. WANG 17JUL2018	TE Connectivity NAME RECEPTACLE ASSEMBLY, 2X4, STACKED, SFP56
DIMENSIONS: mm		CHK S. HAN 17JUL2018	
TOLERANCES UNLESS OTHERWISE SPECIFIED: 0 PLC ±0.25 1 PLC ±0.25 2 PLC ±0.25 3 PLC ±0.25 4 PLC ± ANGLES ±°		APVD S. HAN 17JUL2018	RESTRICTED TO
MATERIAL SEE NOTES		FINISH SEE NOTES	PRODUCT SPEC 108-2481 APPLICATION SPEC 114-13319 WEIGHT - CUSTOMER DRAWING
SIZE A100779		CAGE CODE C=2339978	SCALE 4:1 SHEET 4 OF 7 REV A

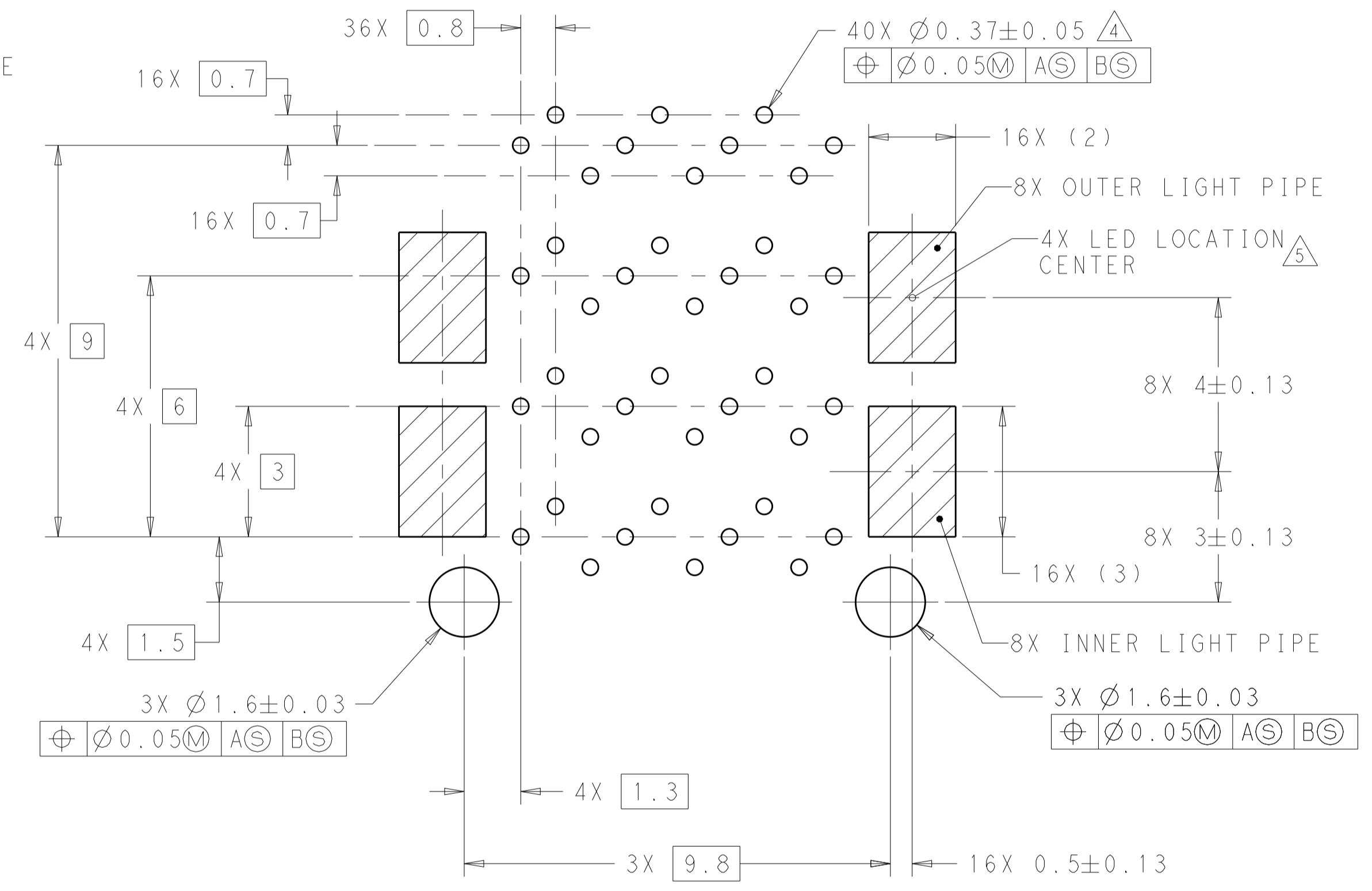
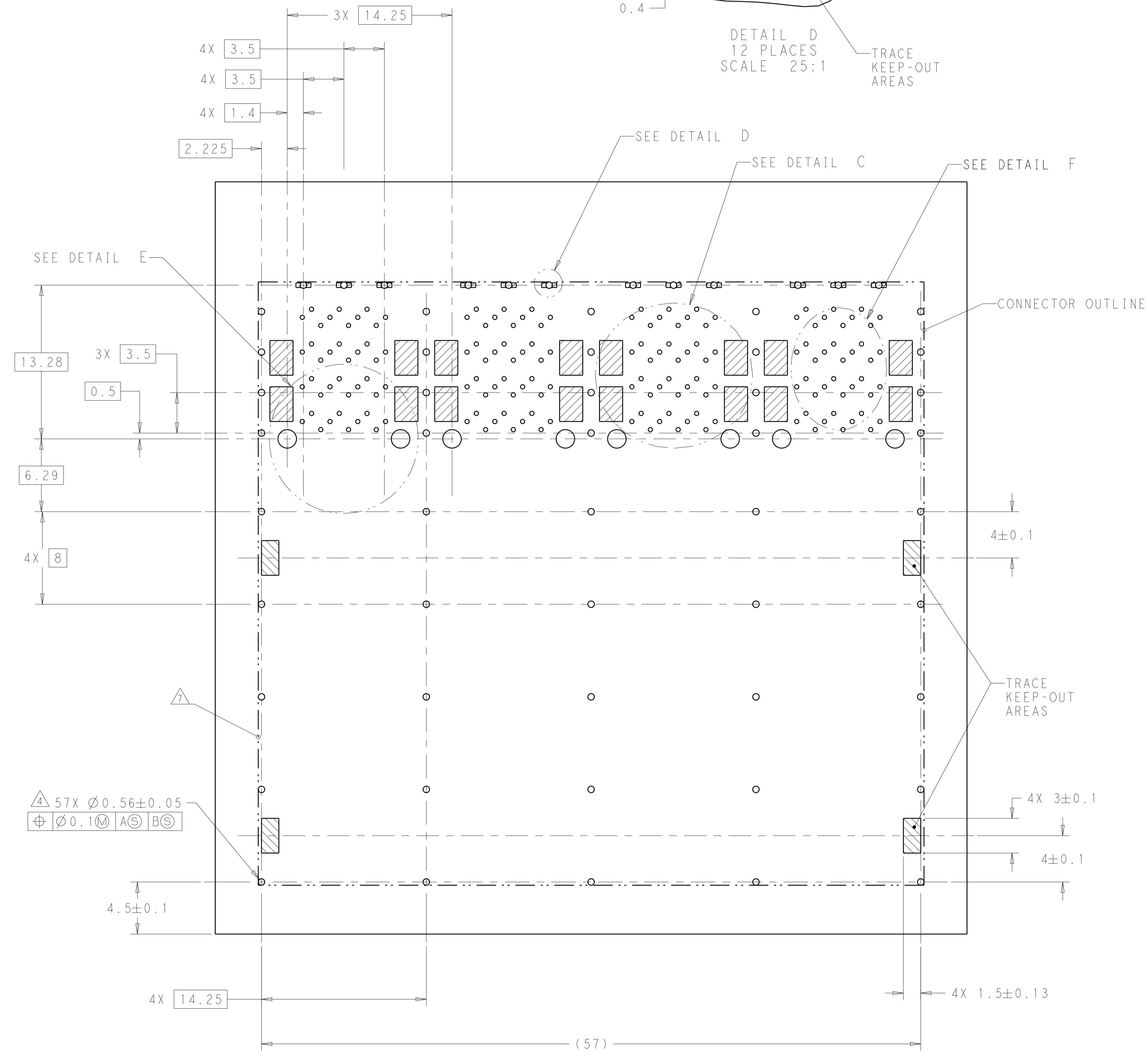
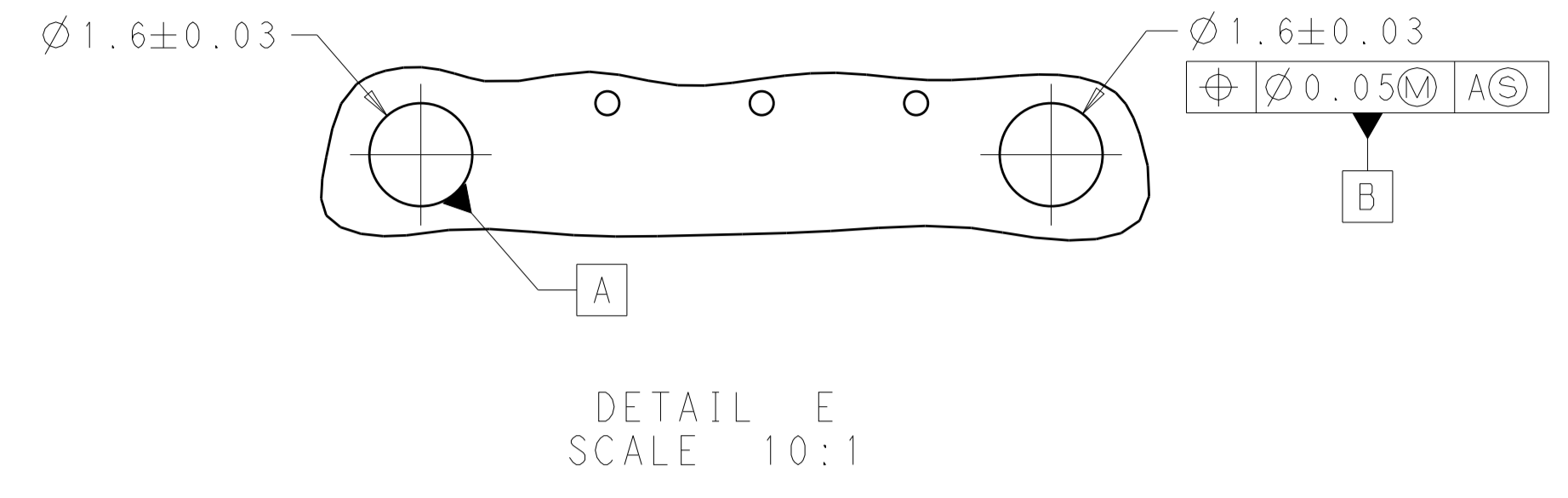
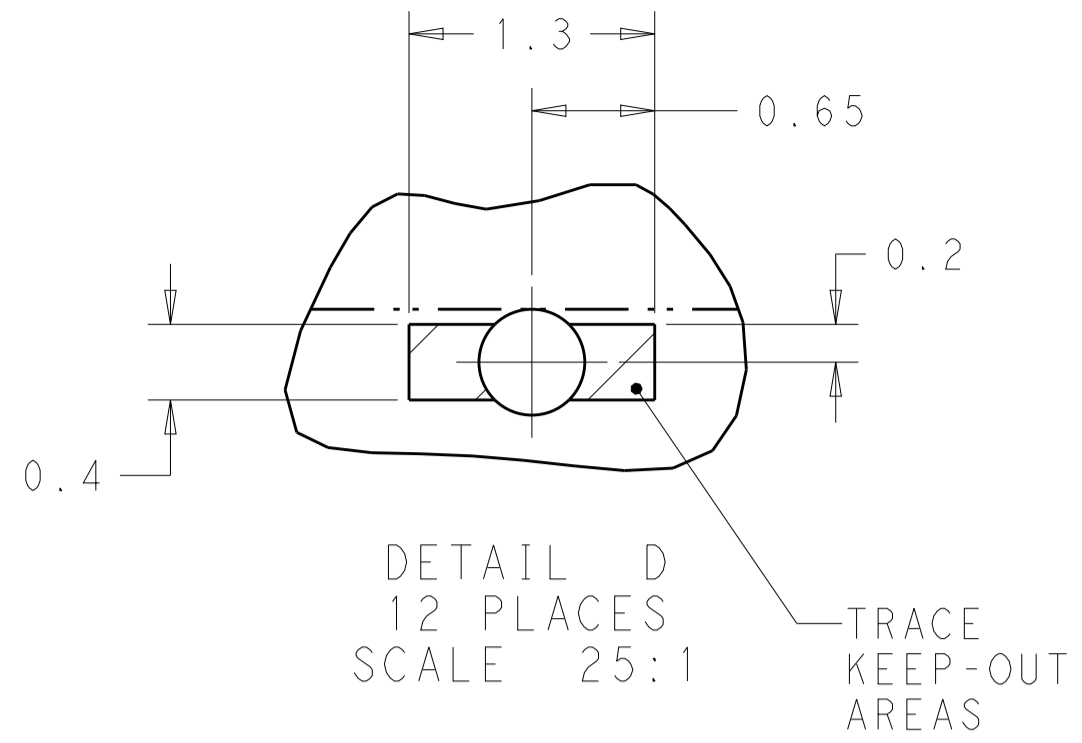
LOC		DIST		REVISIONS			
GP	00	P	LTH	DESCRIPTION	DATE	DWN	APVD
				SEE SHEET 1			



THIS DRAWING IS A CONTROLLED DOCUMENT.

DIMENSIONS:	TOLERANCES UNLESS OTHERWISE SPECIFIED:	DWN J. WANG 17JUL2018	TE Connectivity NAME RECEPTACLE ASSEMBLY, 2X4, STACKED, SFP56 SIZE CAGE CODE DRAWING NO. RESTRICTED TO A100779C=2339978
mm	0 PLC ±0.25	CHK S. HAN 17JUL2018	
	1 PLC ±0.25	APVD S. HAN 17JUL2018	
	2 PLC ±0.25	PRODUCT SPEC 108-2481	
MATERIAL SEE NOTES	FINISH SEE NOTES	APPLICATION SPEC 114-13319	SCALE 4:1 SHEET 5 OF 7 REV A
		WEIGHT	CUSTOMER DRAWING

LOC		DIST		REVISONS			
GP	00	P	LTN	DESCRIPTION	DATE	DMN	APVD
				SEE SHEET 1			



THIS DRAWING IS A CONTROLLED DOCUMENT.		DMN J. WANG 17JUL2018	TE Connectivity
DIMENSIONS: mm		CHK S. HAN 17JUL2018	
TOLERANCES UNLESS OTHERWISE SPECIFIED:		APVD S. HAN 17JUL2018	NAME RECEPTACLE ASSEMBLY, 2X4, STACKED, SFP56
0 PLC ±0.25		PRODUCT SPEC 108-2481	SIZE A100779C=2339978
1 PLC ±0.25		APPLICATION SPEC 114-13319	RESTRICTED TO
2 PLC ±0.25		WEIGHT	SCALE 4:1 SHEET 6 OF 7 REV A
3 PLC ±0.25		CUSTOMER DRAWING	
4 PLC ±0.25			
ANGLES ±4°			
MATERIAL SEE NOTES			
FINISH SEE NOTES			

LOC	DIST	REV	DATE	BY	APPV
GP	00				

REVISIONS			
NO.	DESCRIPTION	DATE	BY
-	SEE SHEET 1	-	-

T19○ T16○ T13○  
 T20○ T17○ T14○ T11○  
 T18○ T15○ T12○

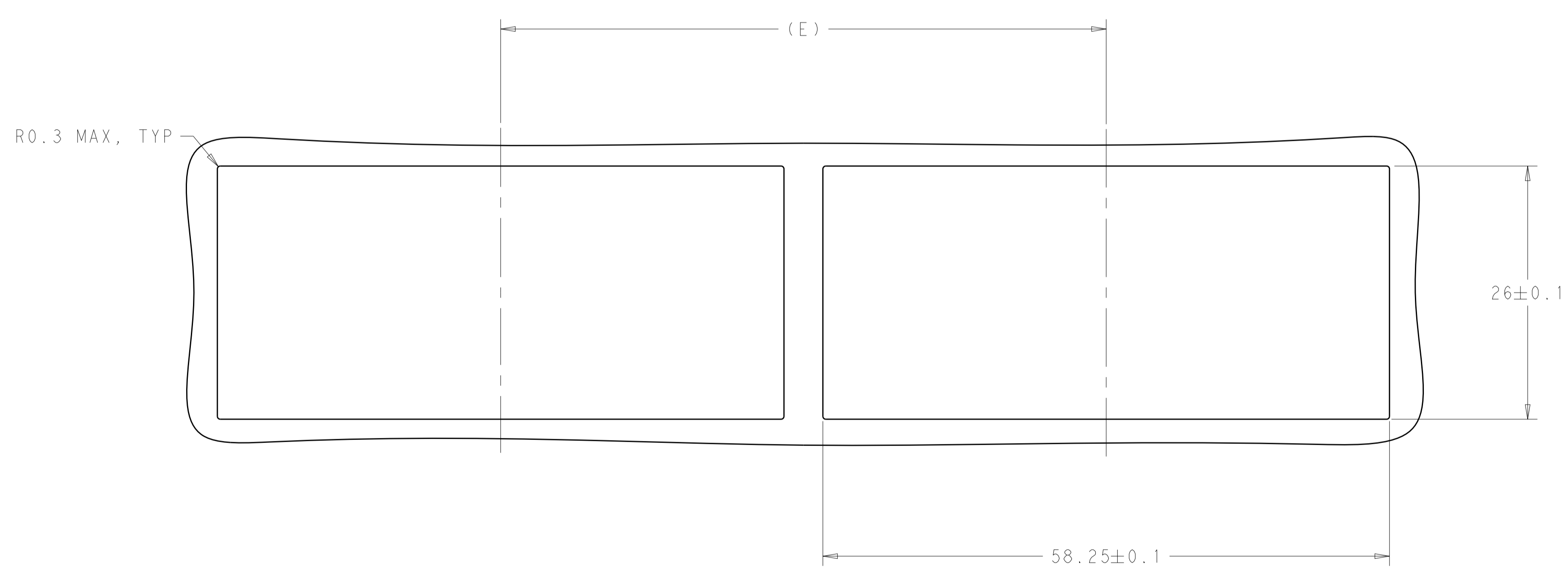
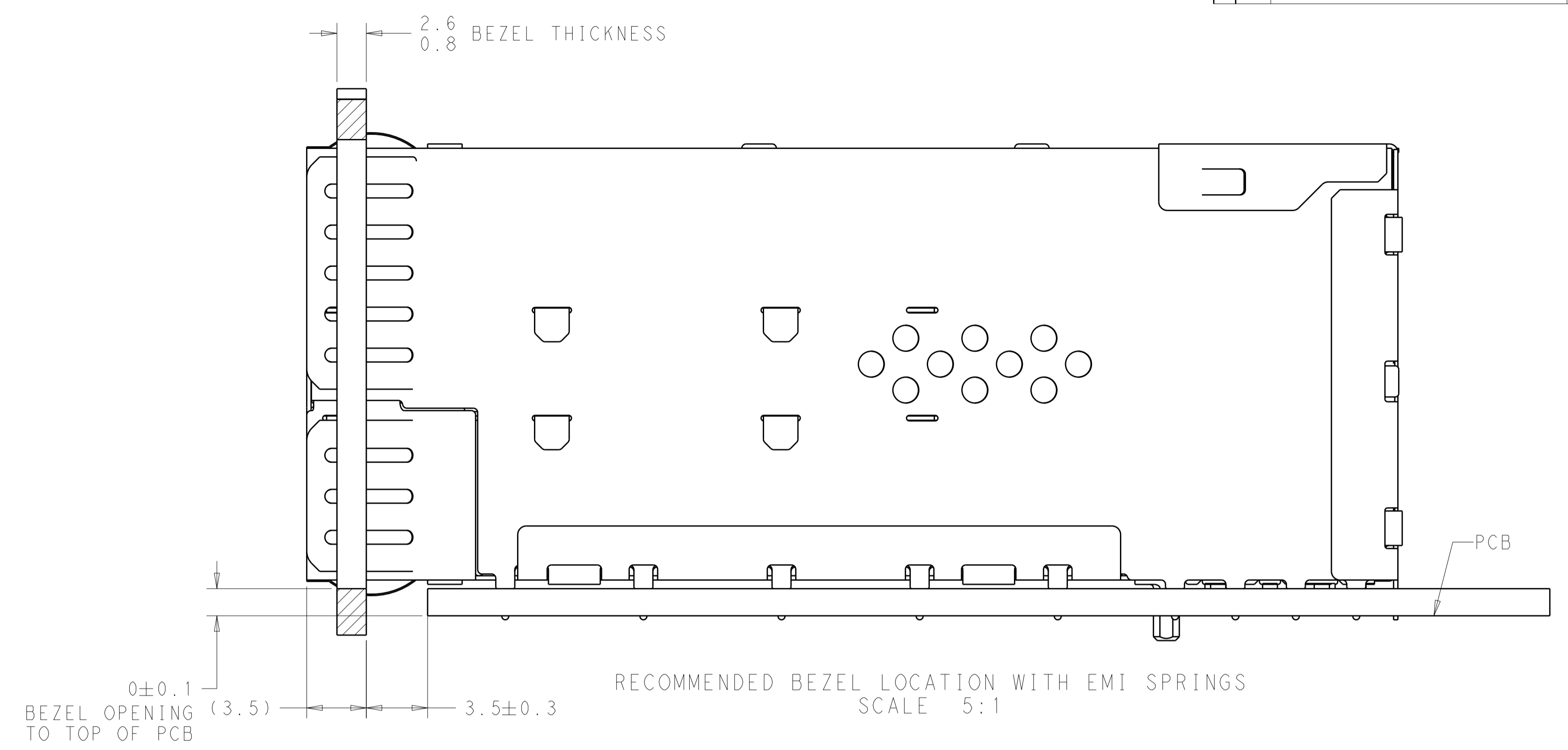
T2○ T5○ T8○  
 T1○ T4○ T7○ T10○  
 T3○ T6○ T9○

L9○ L6○ L3○  
 L10○ L7○ L4○ L1○  
 L8○ L5○ L2○

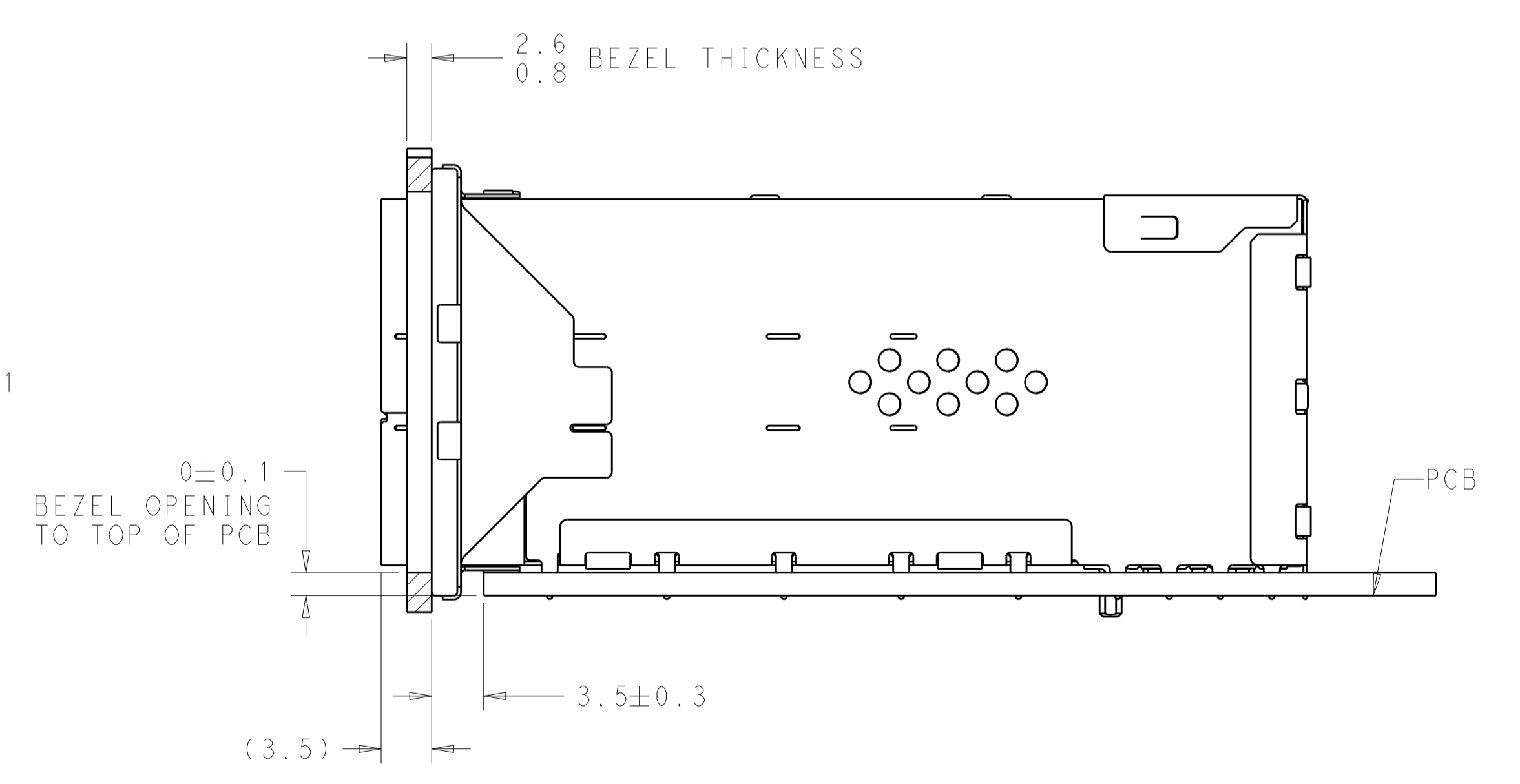
L12○ L15○ L18○  
 L11○ L14○ L17○ L20○  
 L13○ L16○ L19○

PIN MAP LEGEND	
PIN NUMBER	FUNCTION
L1/T1	VEET
L2/T2	TX-FAULT
L3/T3	TX-DISABLE
L4/T4	SDA
L5/T5	SCL
L6/T6	MOD_ABS
L7/T7	RSO
L8/T8	RX_LOS
L9/T9	RS1
L10/T10	VEER
L11/T11	VEER
L12/T12	RD-
L13/T13	RD+
L14/T14	VEER
L15/T15	VCCR
L16/T16	VCCT
L17/T17	VEET
L18/T18	TD+
L19/T19	TD-
L20/T20	VEET

DETAIL F  
 PIN MAP  
 4 PLACES  
 SCALE 15:1



RECOMMENDED BEZEL CUT-OUT DETAIL  
 SCALE 3:1



THIS DRAWING IS A CONTROLLED DOCUMENT.		OWN J. WANG 17JUL2018	TE Connectivity
DIMENSIONS: mm		CHK S. HAN 17JUL2018	
TOLERANCES UNLESS OTHERWISE SPECIFIED:		APVD S. HAN 17JUL2018	NAME RECEPTACLE ASSEMBLY, 2X4, STACKED, SFP56
0 PLC ±0.25	1 PLC ±0.25	PRODUCT SPEC 108-2481	SIZE A1
2 PLC ±0.25	3 PLC ±0.25	APPLICATION SPEC	CAGE CODE 2339978
4 PLC ±0.25	ANGLES ±°	114-13319	RESTRICTED TO
MATERIAL SEE NOTES	FINISH SEE NOTES	WEIGHT	SCALE 4:1
CUSTOMER DRAWING		SHEET 7 OF 7	REV A