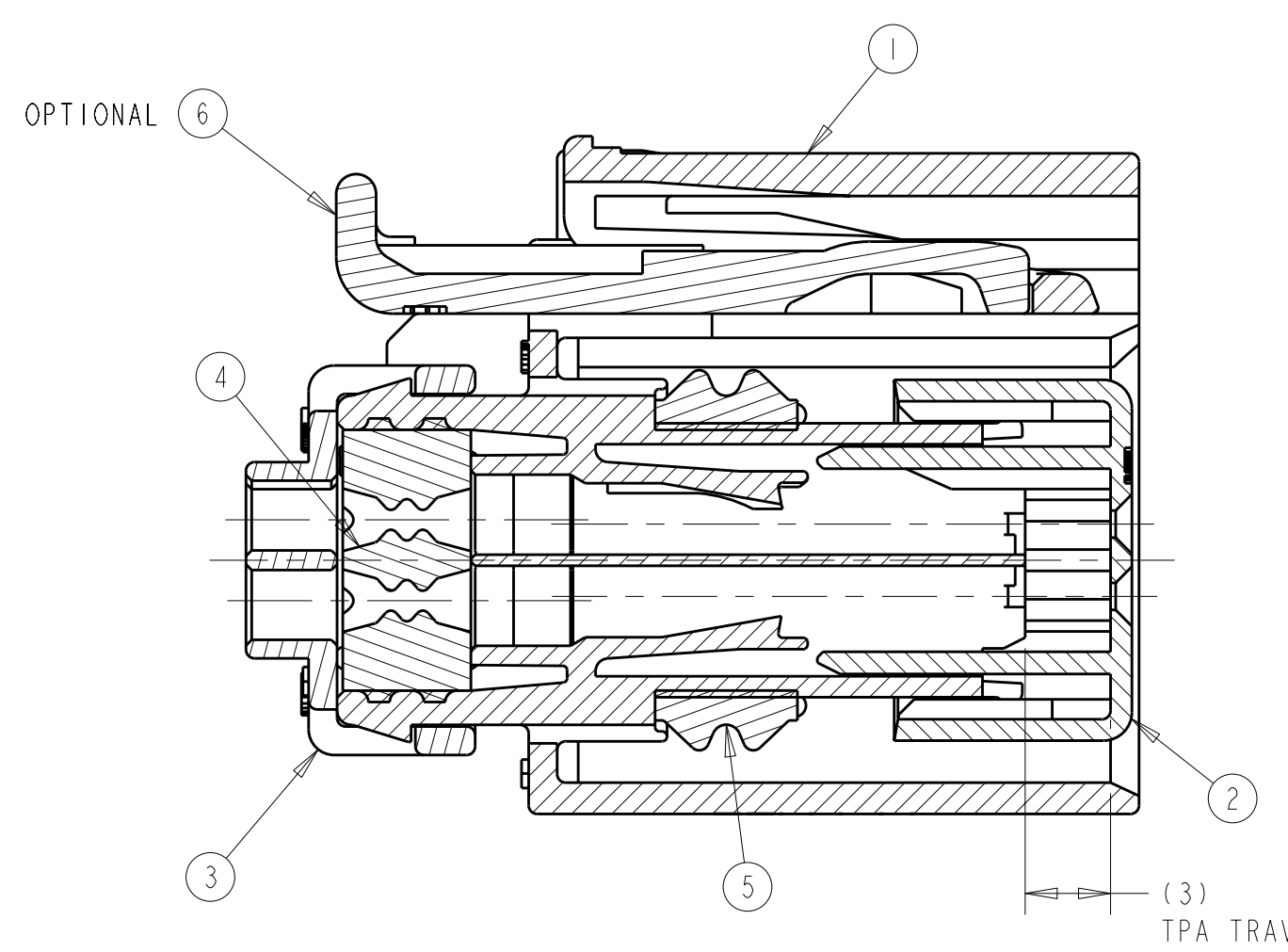


LOC	DIST	REV	DATE	BY	APPD
FX	00				
J		REVIS PER ECR 06-014360	17AUG2006	DLD	DCS
K		REVIS PER ECR 07-013476	08JUN2007	DLD	DCS
KI		REV PER ECR-10-012906	24JUN2010	VSS	DZ



SECTION A-A
 SHOWN WITH TPA
 AND CPA (OPTIONAL) IN
 THEIR PRE-LOADED POSITIONS
 (DELIVERY CONDITION)

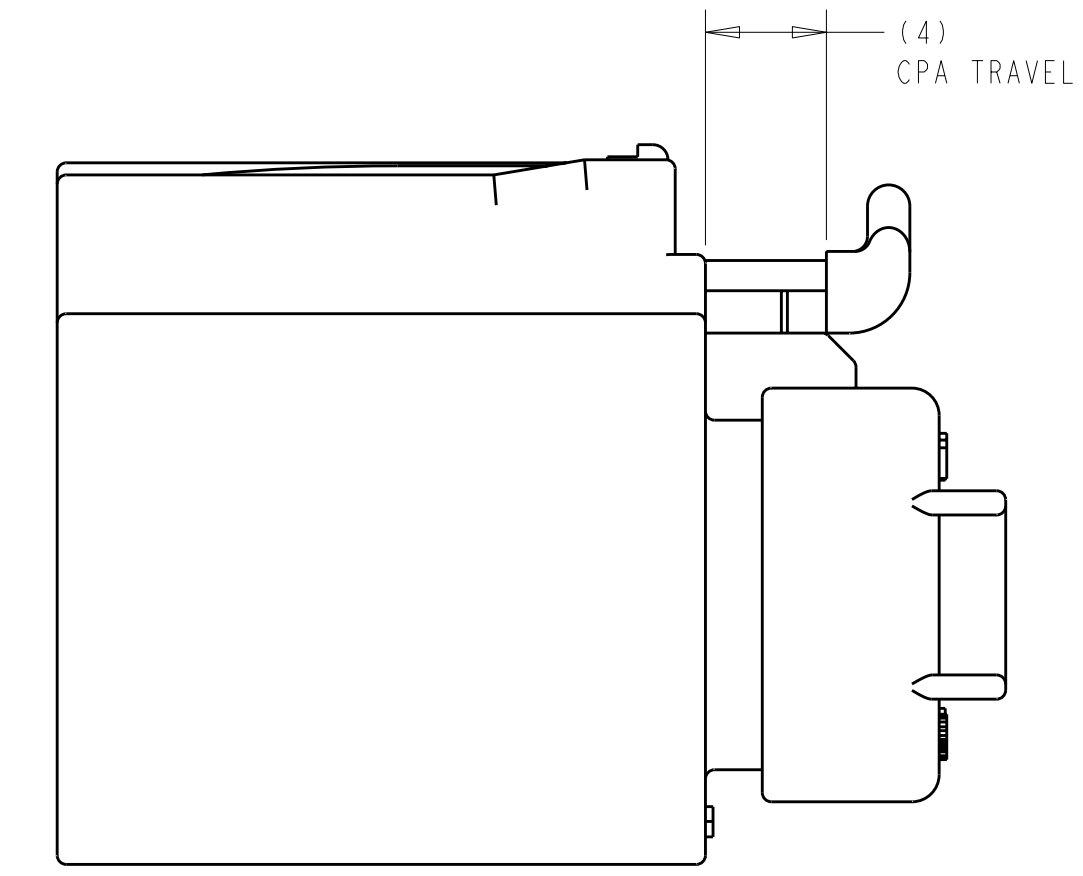
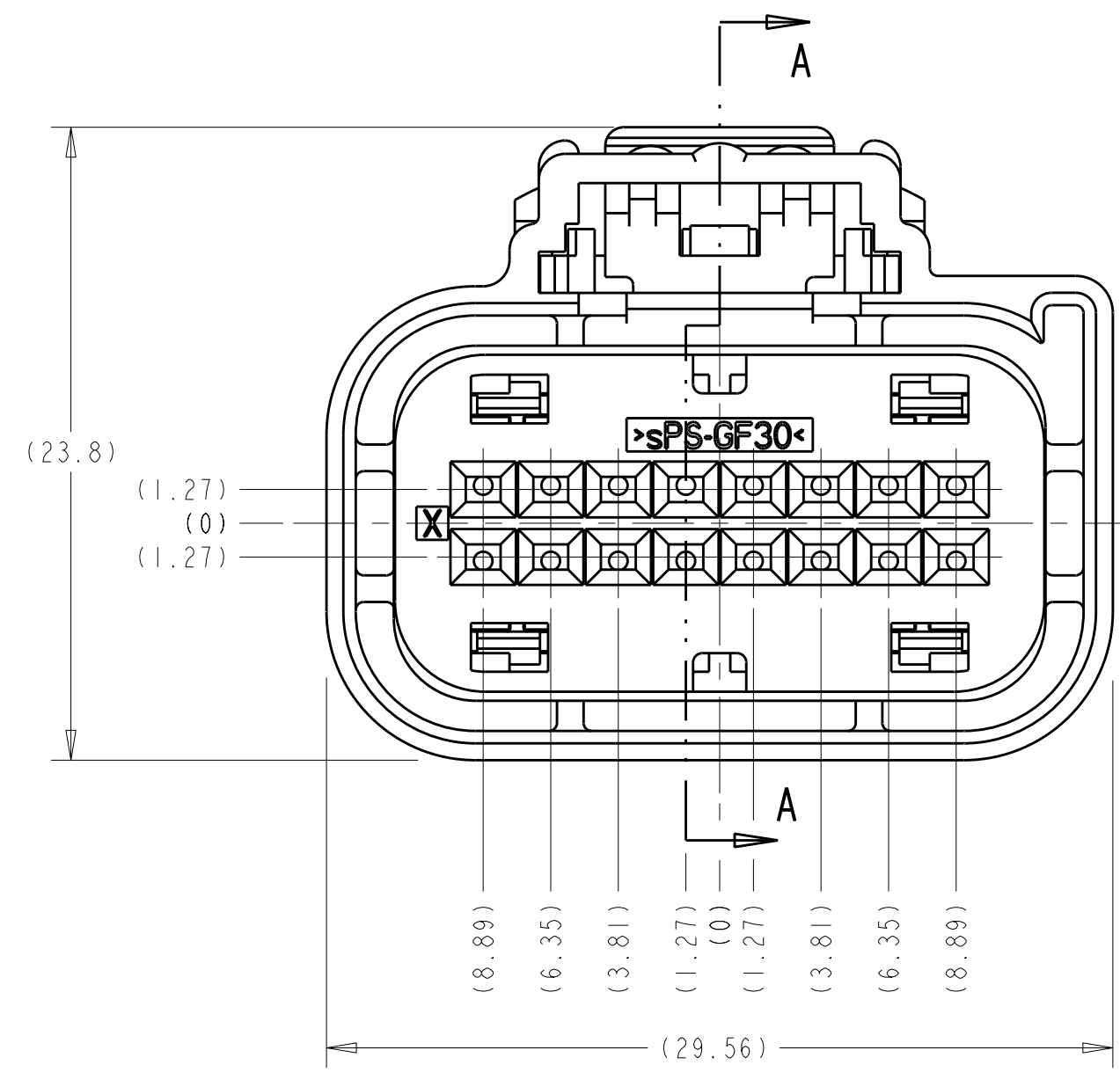


CHART 1

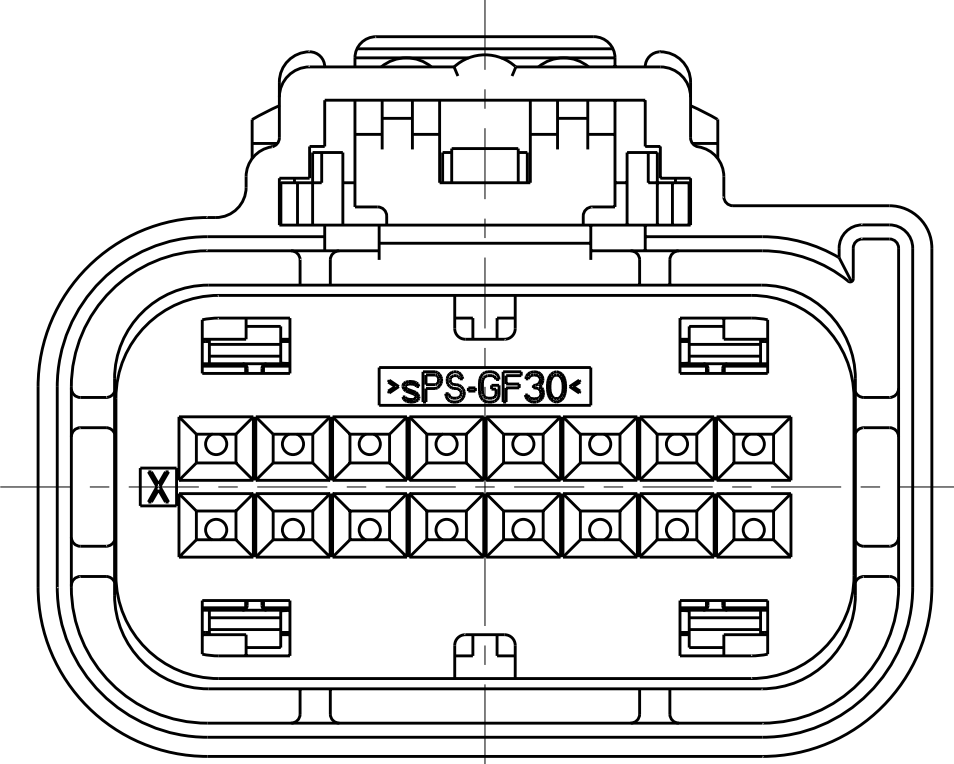
2	4	6	8	9	11	13	15	1438031-6
2	4	6		9	11	13	15	1438031-5
								5-1419168-8
								5-1419168-9
								6-1419168-0
								6-1419168-1
								1438031-1
								1438031-2
								1438031-3
								1438031-4

TERMINAL HOLE POSITION

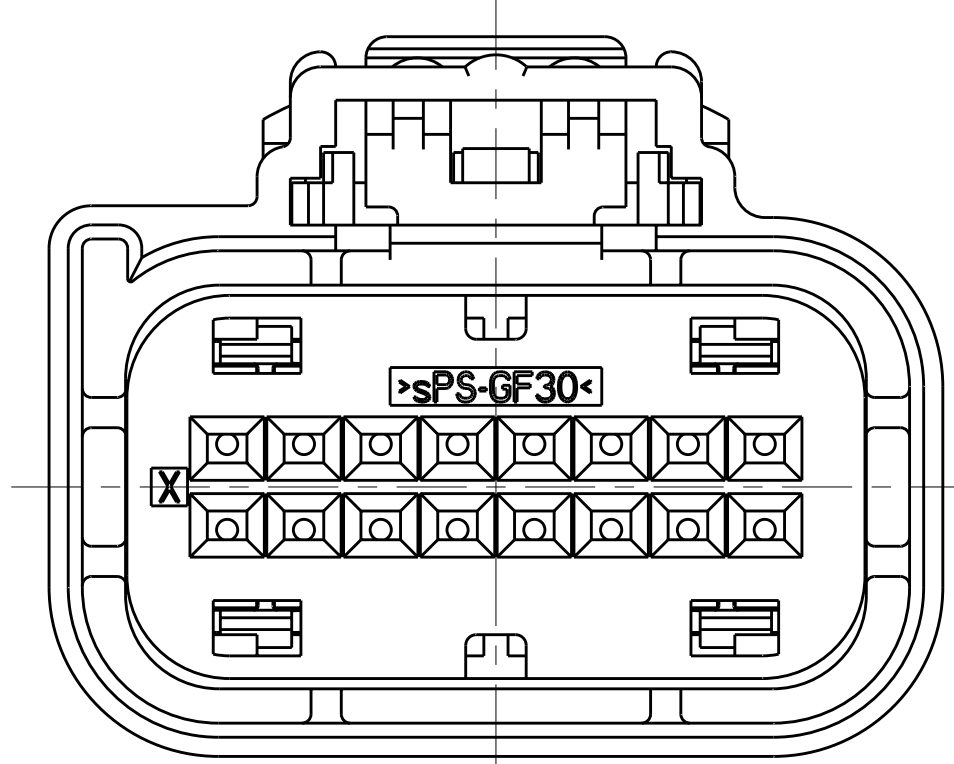
CAVITIES WITH A NUMERIC SYMBOL INDICATE CLOSED TERMINAL HOLE POSITIONS

BLANK CAVITIES INDICATE OPEN TERMINAL HOLE POSITIONS

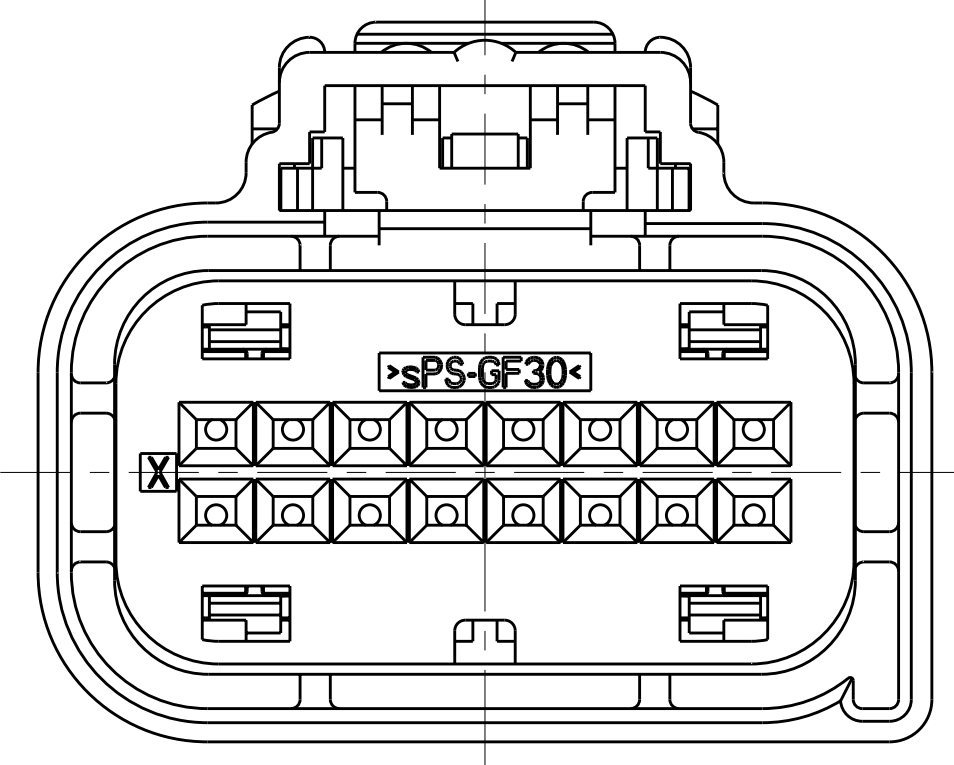
ASSEMBLY PART NUMBER



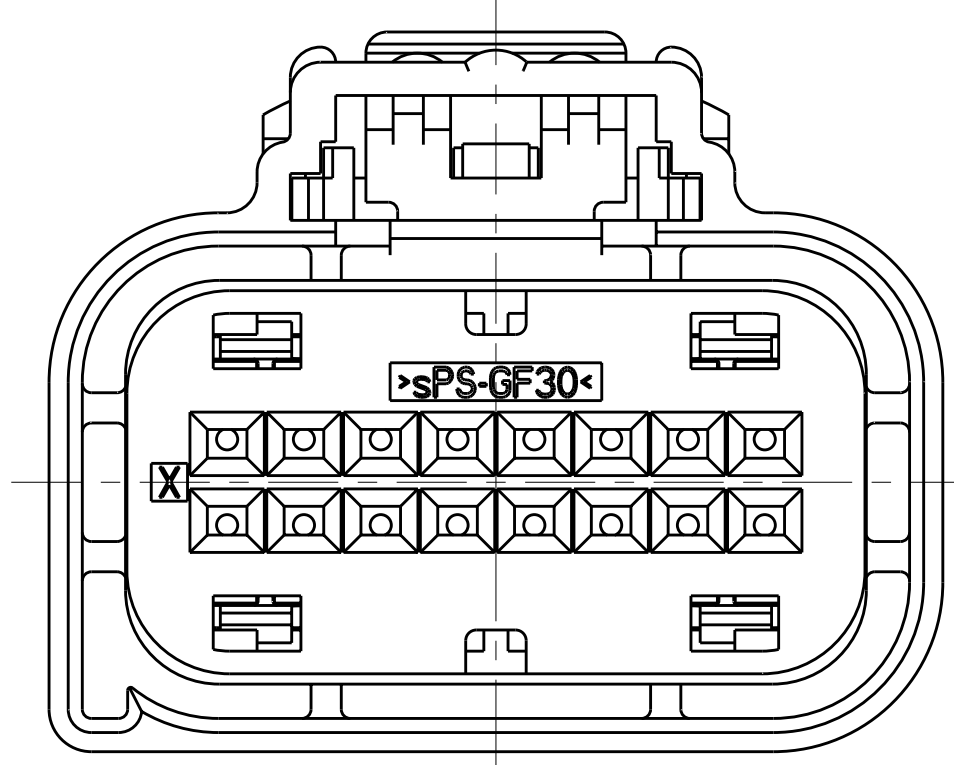
KEYING OPTION "A"



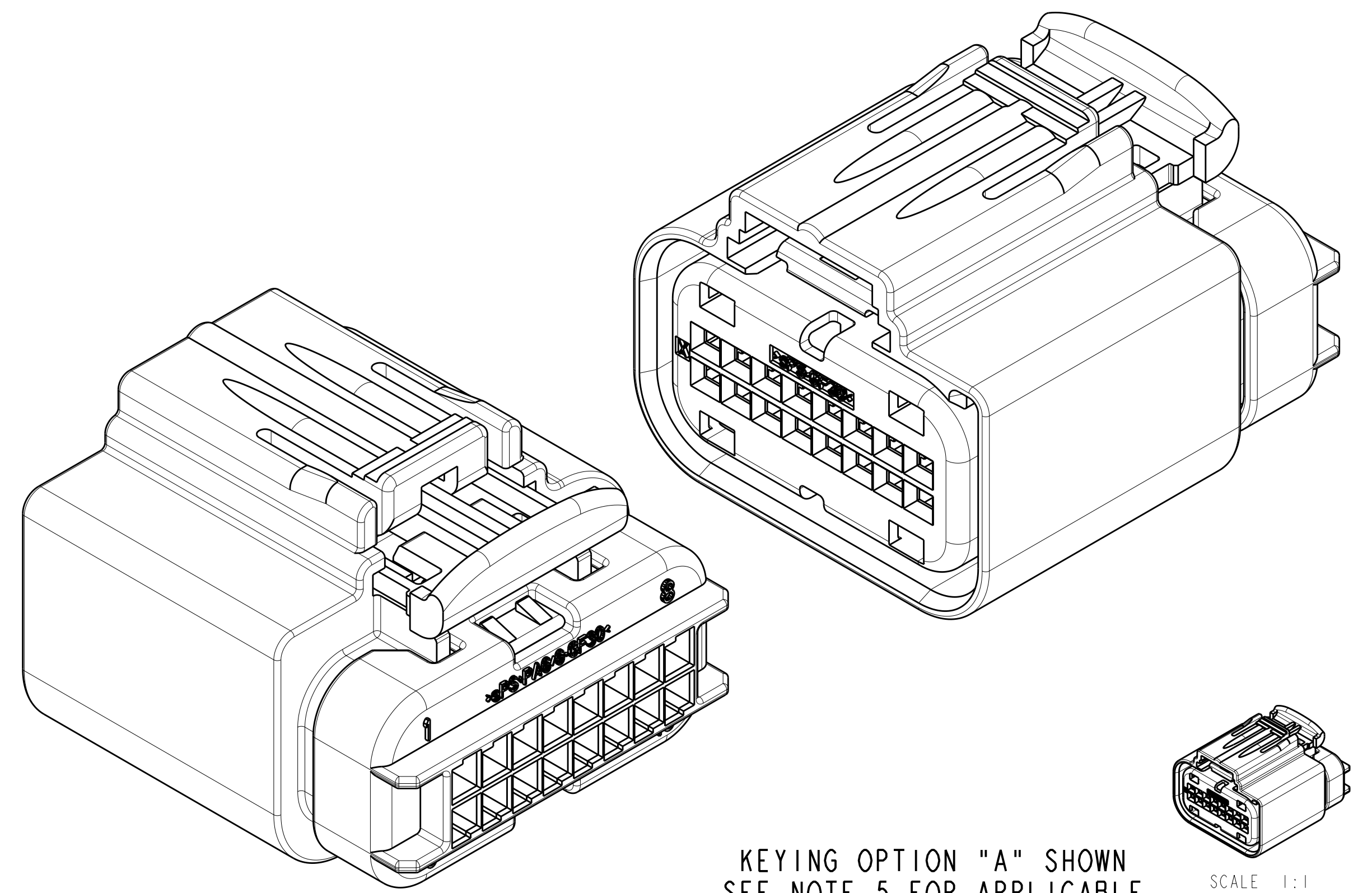
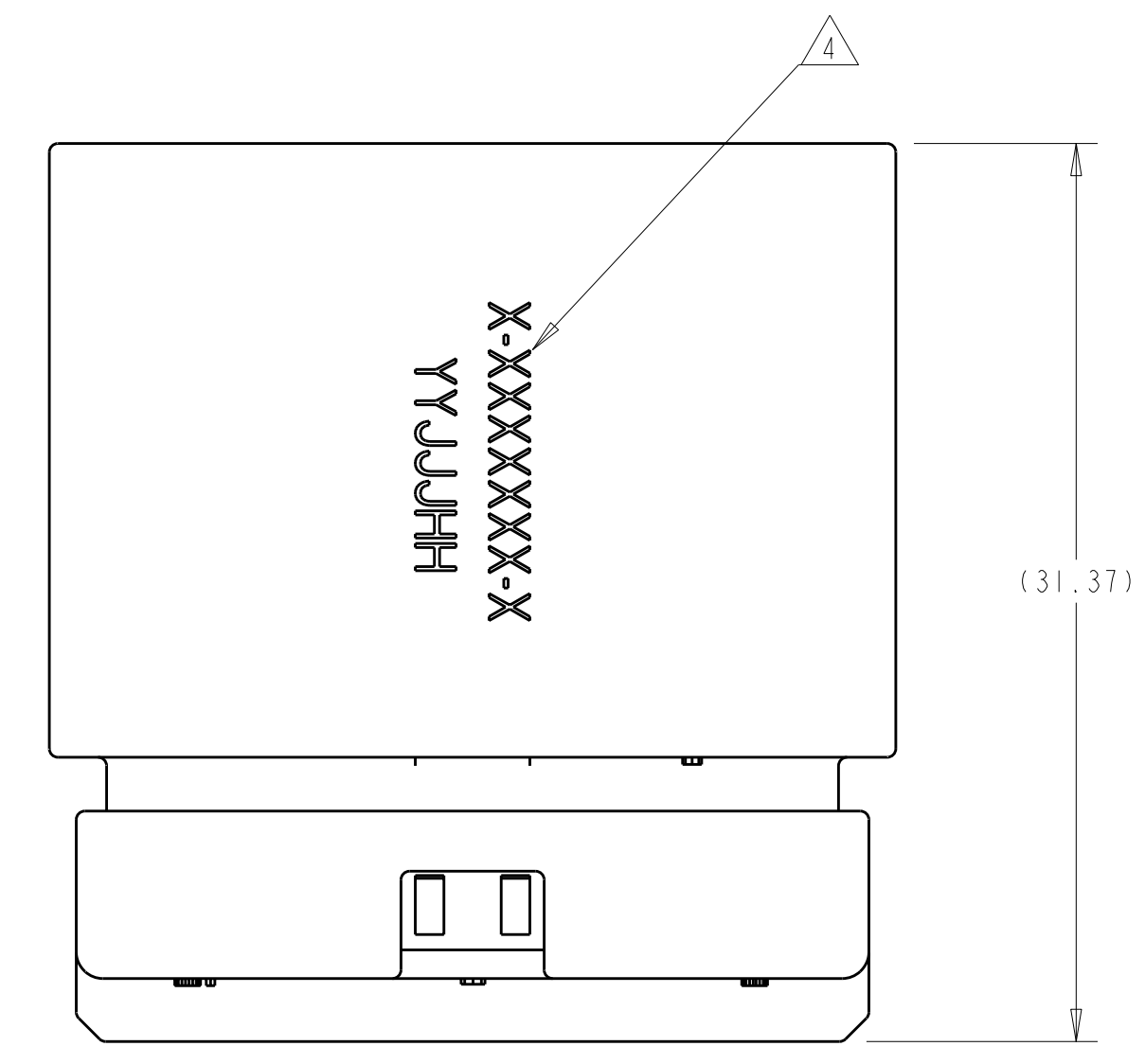
KEYING OPTION "B"



KEYING OPTION "C"



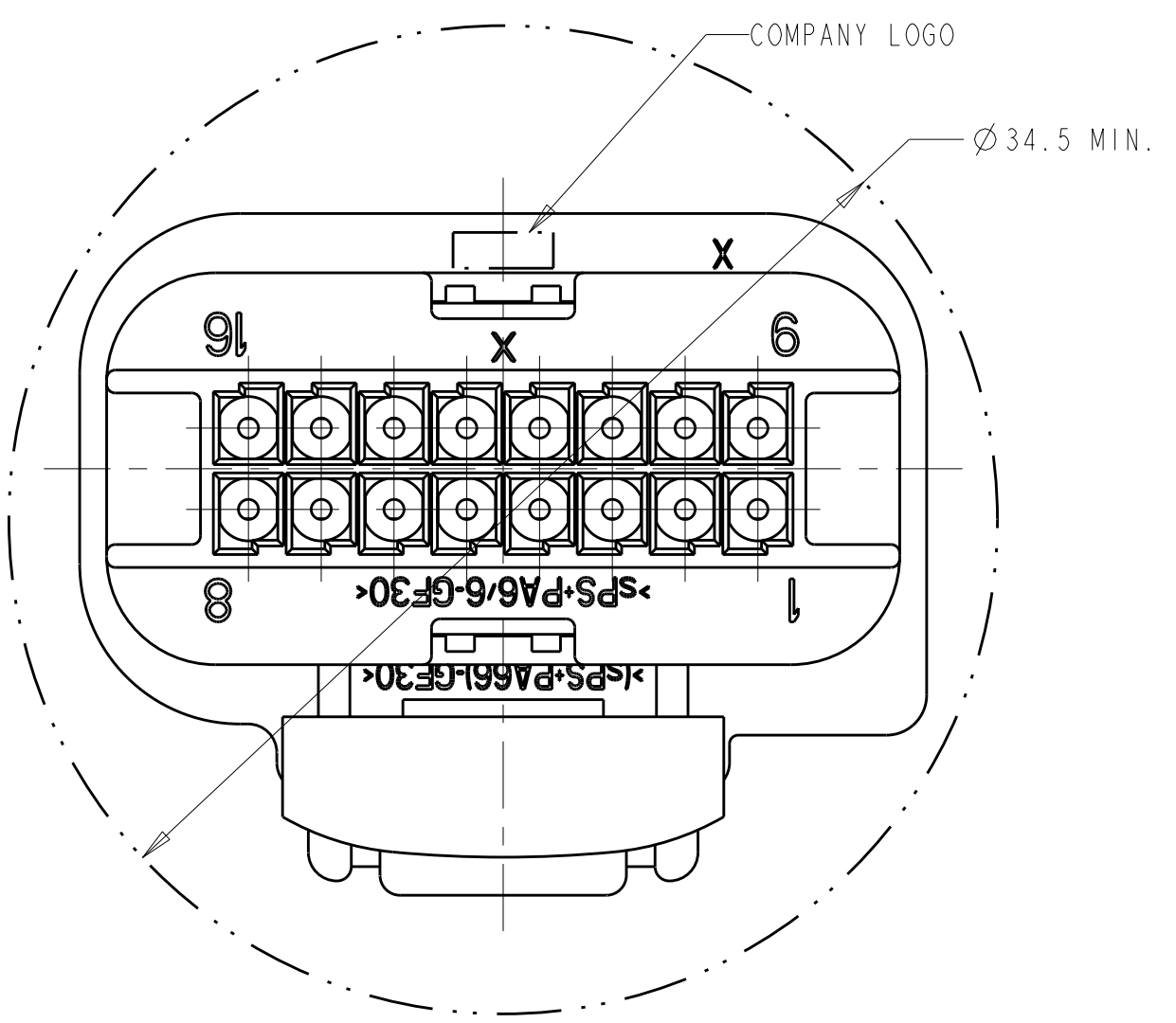
KEYING OPTION "D"



KEYING OPTION "A" SHOWN
 SEE NOTE 5 FOR APPLICABLE
 HEADER INTERFACE INFORMATION

SCALE 1:1

- APPLICABLE TERMINAL PART NUMBERS (SOLD SEPARATELY):
 FOR TIN APPLICATIONS: 1393367 AND 1393366.
 FOR GOLD APPLICATIONS: 1393365 AND 1393364.
 FOR TERMINATION AND REELING OPTIONS
 SEE DRAWINGS 1393367, 1393366, 1393365, AND 1393364.
- COMPATIBLE WIRE SIZES FOR MAT SEAL DESIGN 1.19 TO 2.06 O.D.
 (22-18 AWG, 0.35-0.75 mm²)
- TPA IS SHIPPED IN PRE-LOADED POSITION. SOME TPA'S MAY BECOME FULLY SEATED DURING SHIPPING. USE TYCO INSTRUCTION SHEET 408-10128 TO REPOSITION TPA TO IT'S PRE-LOADED POSITION.
- TE ASSEMBLY PART NUMBER (X-XXXXXX-X) AND TRACEABILITY CODE (YY = TWO DIGIT YEAR, JJJ = JULIAN DAY, HH = TWO DIGIT MILITARY HOUR) ARE PRINTED IN THIS LOCATION.
- APPLICABLE HEADER INTERFACE DRAWING 1488345 IS AVAILABLE UPON REQUEST. A COPY OF THIS DRAWING CAN BE OBTAINED FROM THE TYCO ELECTRONICS PRODUCT MANAGER, VIA YOUR TYCO ELECTRONICS SALES REPRESENTATIVE OR CUSTOMER SERVICE.
- PART ASSEMBLY WEIGHT WITHOUT TERMINALS:
 WITHOUT CPA: xx.xx GRAMS
 WITH CPA: xx.xx GRAMS
- ASSEMBLIES ARE BULK PACKAGED.
- OPTIONAL CPA IS SHIPPED IN IT'S PRE-LOADED POSITION.



**MINIMUM FEED THROUGH CONDITION
 WITH 1mm CLEARANCE ALL AROUND**

QUANTITY	ITEM	DESCRIPTION	MATERIAL	COLOR/FINISH
	6	CPA	PBT-GF15	RED
	5	PERIMETER SEAL	SILICONE	TURQUOISE
	4	GROMMET	SILICONE	BROWN
	3	COVER	sPS-GF30	BLACK
	2	TPA	sPS-GF30	RED
	1	PLUG WITH KEYING OPTION "D"	(sPS+PA66)-GF30	BLACK
	1	PLUG WITH KEYING OPTION "C"	(sPS+PA66)-GF30	BLACK
	1	PLUG WITH KEYING OPTION "B"	(sPS+PA66)-GF30	BLACK
	1	PLUG WITH KEYING OPTION "A"	(sPS+PA66)-GF30	BLACK

--- ASSEMBLY PART NUMBERS

TYCO ELECTRONICS CORPORATION, 1400 W. WASHINGTON AVENUE, HARRISBURG, PA 17105-3608

TYCO ELECTRONICS IS AN EQUAL OPPORTUNITY EMPLOYER. ALL RIGHTS RESERVED. THIS DRAWING IS UNPUBLISHED. RELEASED FOR PUBLICATION BY TYCO ELECTRONICS CORPORATION, ALL RIGHTS RESERVED.

DATE: 03DEC2007
 DWN: M. FORISKA
 CHK: M. FORISKA
 APVD: A. SHUMAN

NAME: M. FORISKA
 PRODUCT SPEC: A. SHUMAN
 APPLICATION SPEC: A. SHUMAN

SCALE: 4:1
 SHEET: 1 OF 1
 REV: K1

2x8 SEALED, FEMALE PLUG ASSEMBLY CUSTOMER SPEC.

WEIGHT: SEE NOTE 6
 CUSTOMER DRAWING: A1100779
 C=5-1419168-8