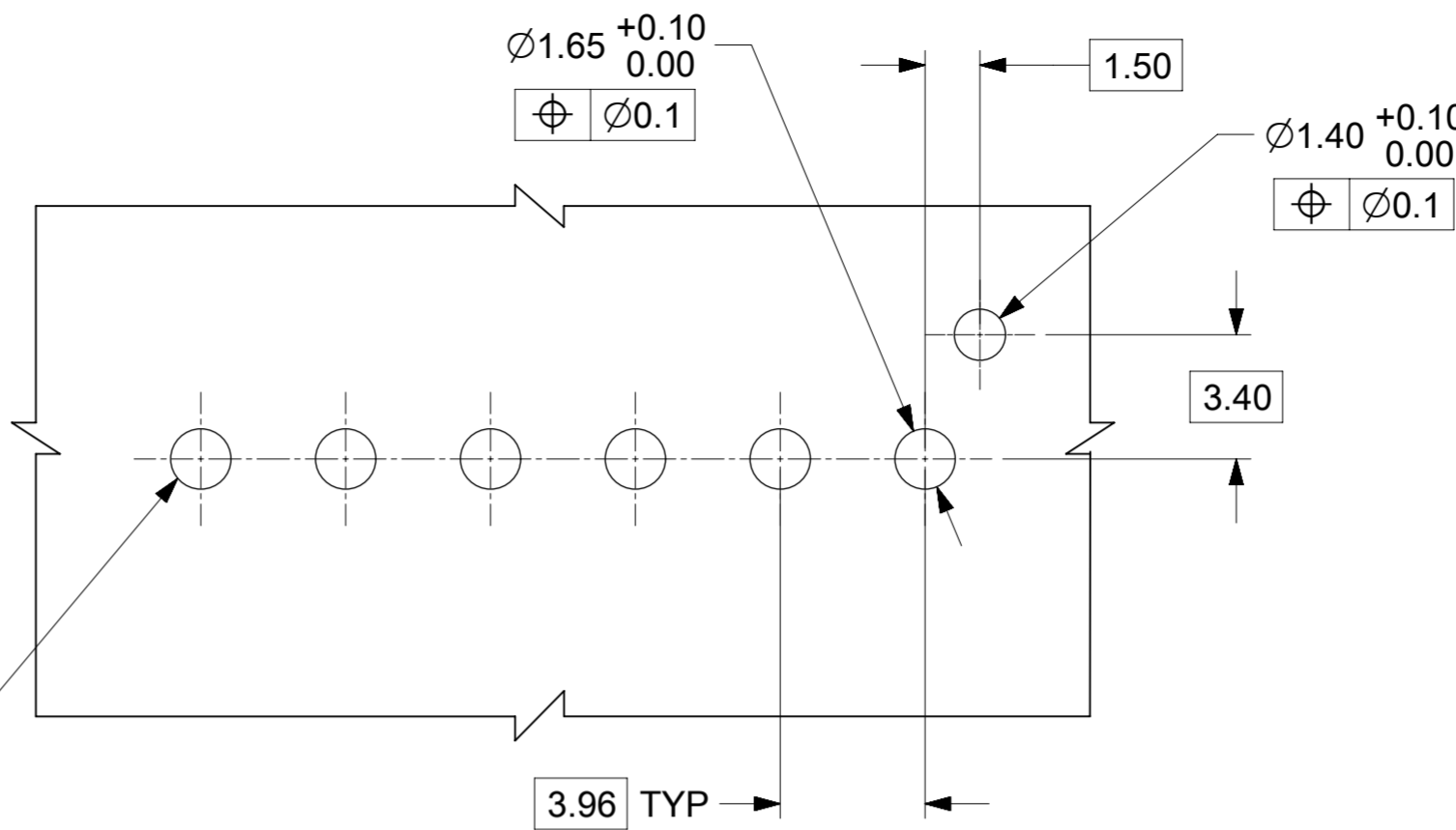
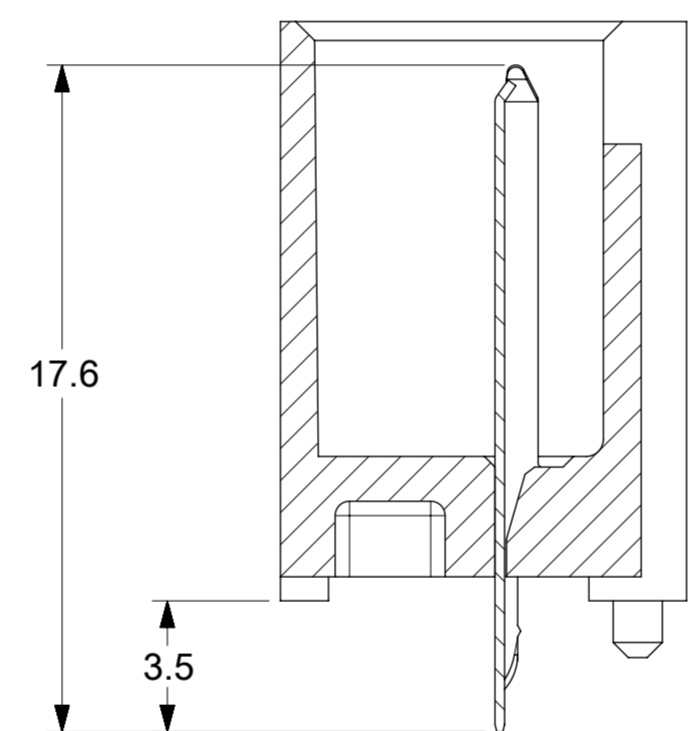
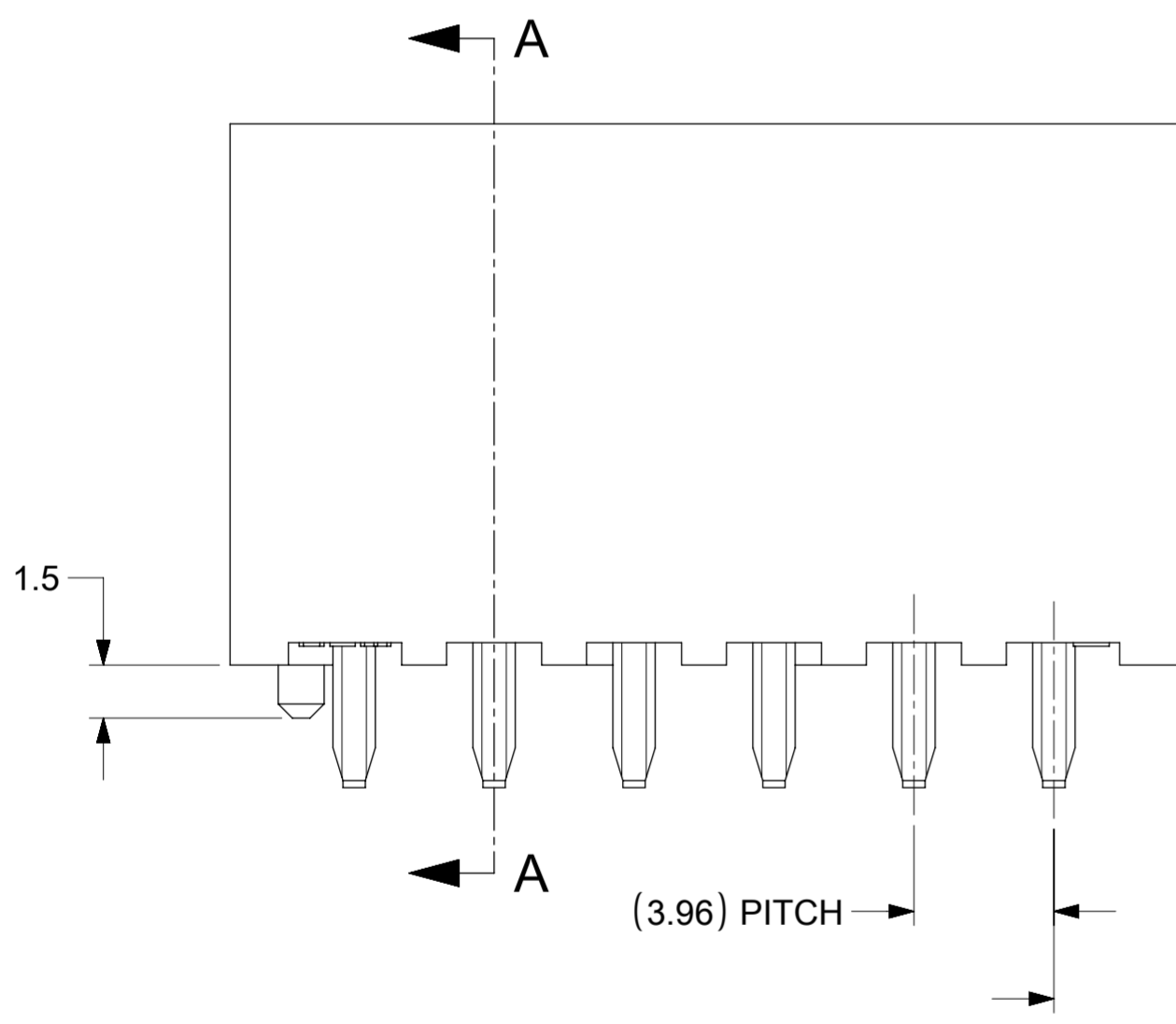
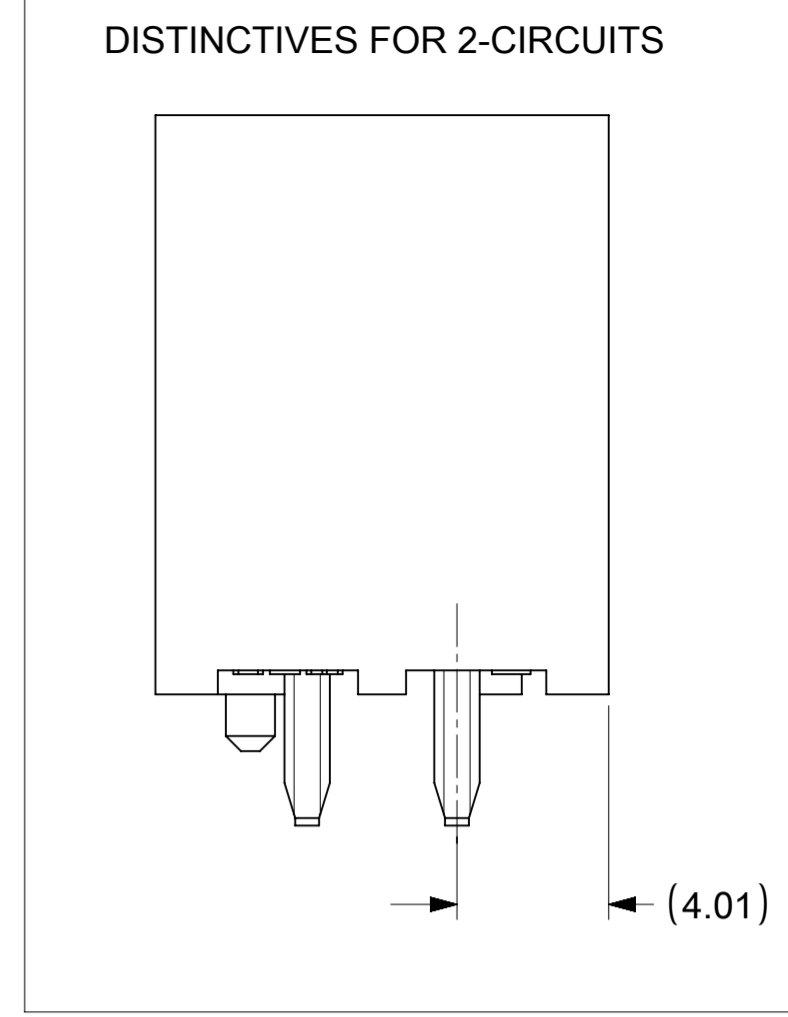


CIRCUIT ID

CIRCUIT NO.1



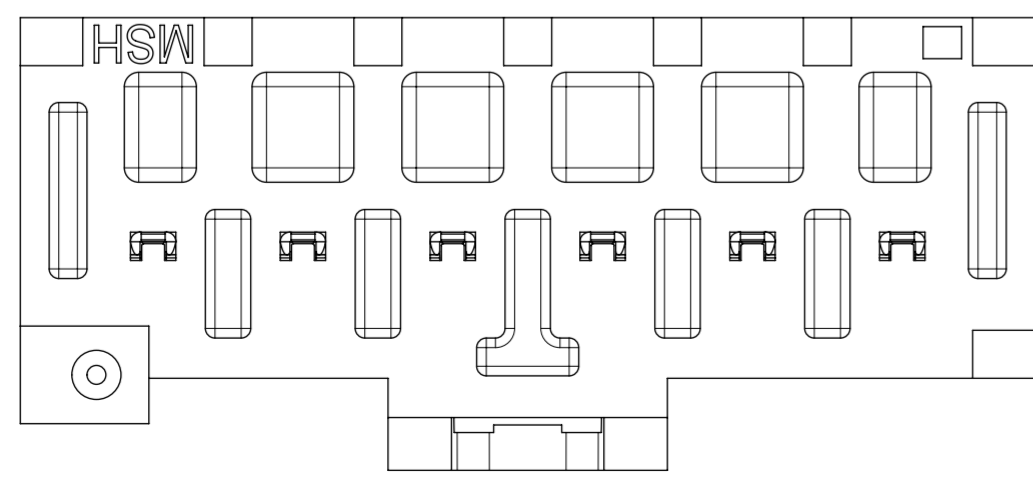
PCB FOR SHROUDED HEADER ASSEMBLY
PCB LAYOUT VIEWED FROM THE SOLDERING SIDE
(RECOMMENDED PCB THICKNESS : 1.60mm)



SECTION A-A

(3.51)
DISTINCTIVES
FOR 2 CIRCUITS

CIRCUIT SIZE	HEADER ASSY P/N	DIM.A
02	2074790002	11.99
03	2074790003	14.95
04	2074790004	18.91
05	2074790005	22.88
06	2074790006	26.84



- NOTES:
- MATERIAL:
 - HOUSING: LIQUID CRYSTAL POLYMER. RATED UL94V-0, COLOR-BLACK
 - TERMINAL: BRASS ALLOY
PLATING: TIN OVER COPPER OVERALL
 - PRODUCT SPECIFICATION: 2074580000-PS
 - PACKAGING SPECIFICATION: 2074790000-PK
 - COSMETIC SPECIFICATION: PS-45499-002 CLASS B

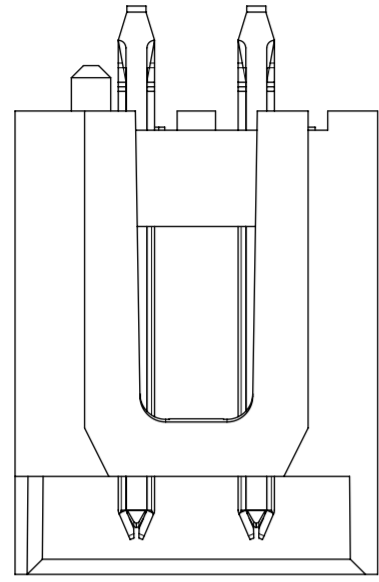
THIS DRAWING CONTAINS INFORMATION THAT IS PROPRIETARY TO MOLEX ELECTRONIC TECHNOLOGIES, LLC AND SHOULD NOT BE USED WITHOUT WRITTEN PERMISSION

DIMENSION UNITS	SCALE	CURRENT REV DESC: INITIAL RELEASE	
mm	5:1		
GENERAL TOLERANCES (UNLESS SPECIFIED)		EC NO: 618332	
ANGULAR TOL	± 0.5°	DRWN: SMAHAJANSHET	2019/05/31
4 PLACES	±	CHK'D: NCSR	2019/06/05
3 PLACES	±	APPR: NCSR	2019/06/05
2 PLACES	± 0.2	INITIAL REVISION:	
1 PLACE	± 0.25	DRWN: GGUNAGI	2018/09/19
0 PLACES	±	APPR: NCSR	2019/02/05
DRAFT WHERE APPLICABLE MUST REMAIN WITHIN DIMENSIONS	THIRD ANGLE PROJECTION	DRAWING	SERIES
		A2-SIZE	207479

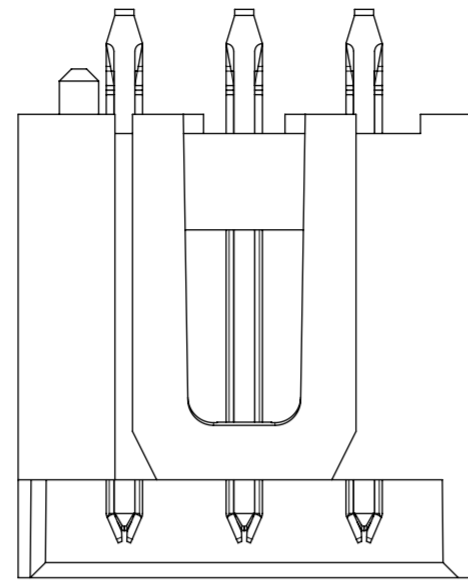
L1NK 396 SHROUDED HEADER ASSEMBLY			
PRODUCT CUSTOMER DRAWING			
DOCUMENT NUMBER	DOC TYPE	DOC PART	REVISION
2074790000-SD	PSD	000	B
MATERIAL NUMBER	CUSTOMER	SHEET NUMBER	
SEE TABLE	GENERAL MARKET	1 OF 2	

POLARIZATION

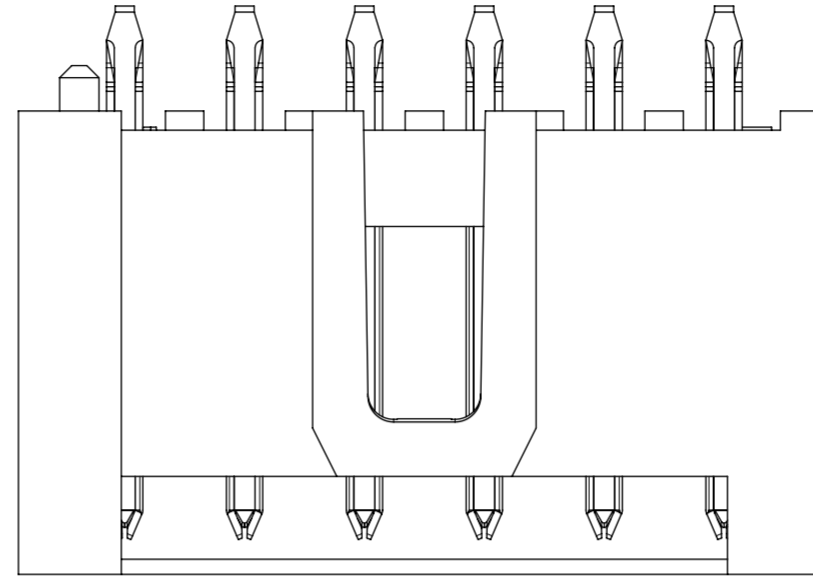
2 CKT



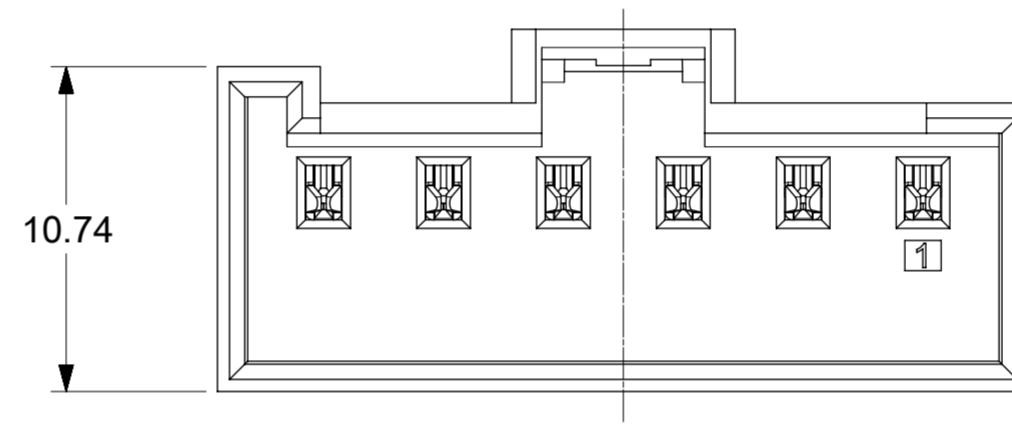
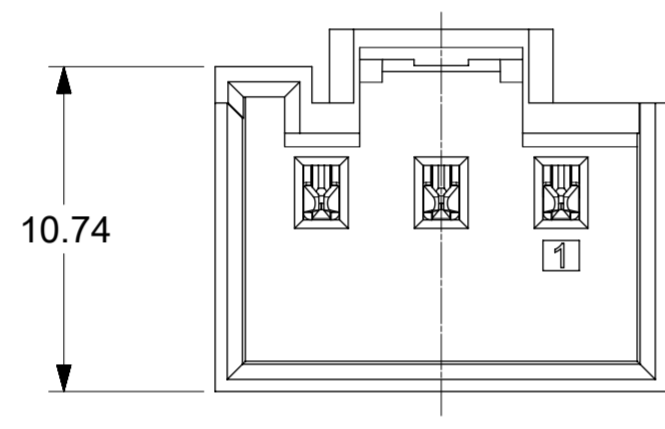
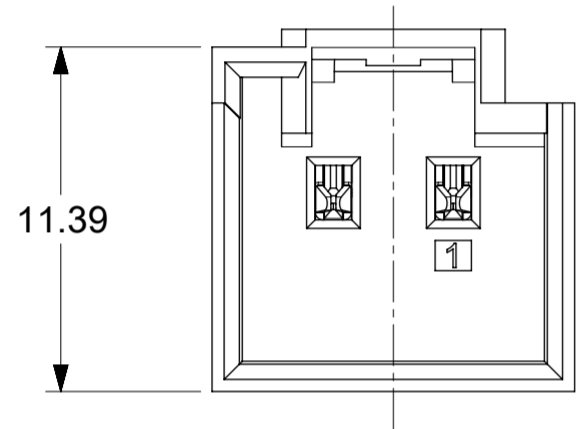
3 CKT



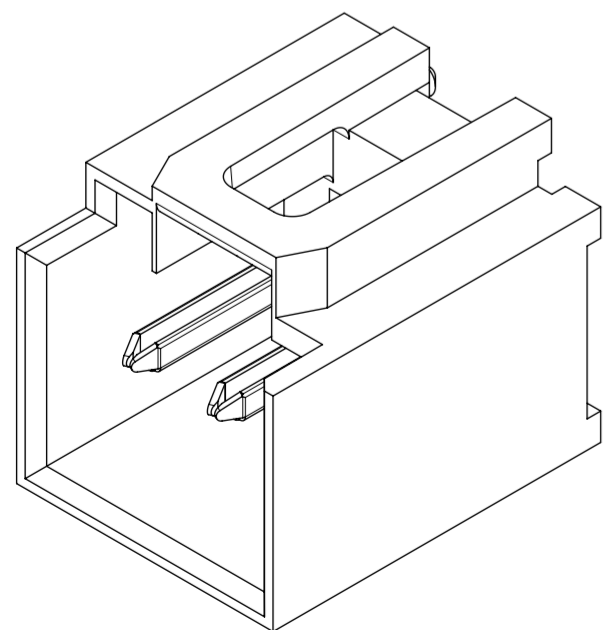
4 TO 6 CKT



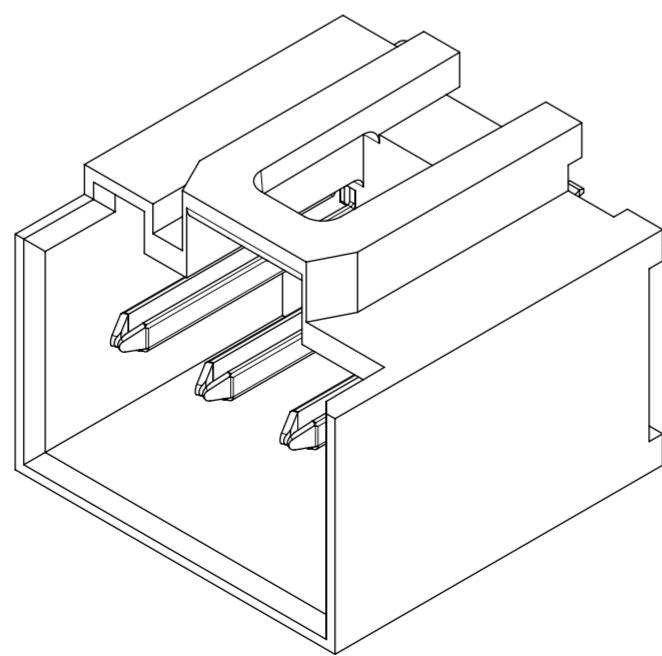
3.4



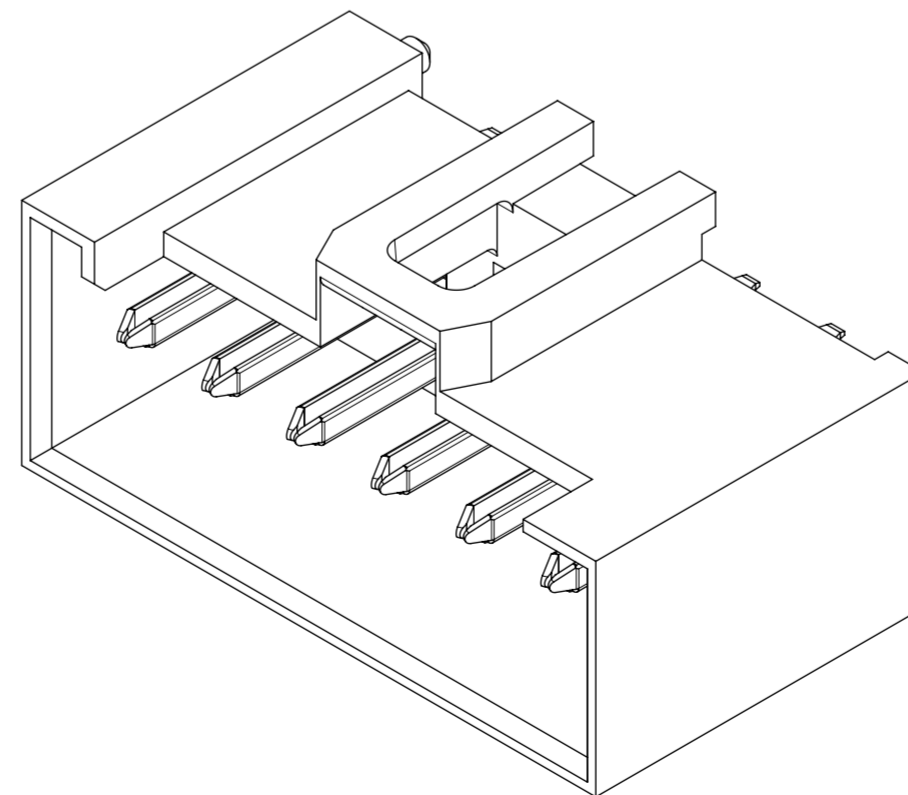
ISOMETRIC VIEW 2 CKT



ISOMETRIC VIEW 3 CKT



ISOMETRIC VIEW 6 CKT



THIS DRAWING CONTAINS INFORMATION THAT IS PROPRIETARY TO MOLEX ELECTRONIC TECHNOLOGIES, LLC AND SHOULD NOT BE USED WITHOUT WRITTEN PERMISSION

DIMENSION UNITS mm	SCALE 4:1	CURRENT REV DESC: INITIAL RELEASE			
GENERAL TOLERANCES (UNLESS SPECIFIED)		<div style="text-align: center;">molex</div> <p>L1NK 396 SHROUDED HEADER ASSEMBLY</p> <p>PRODUCT CUSTOMER DRAWING</p>			
ANGULAR TOL	± 0.5°				
4 PLACES	±				
3 PLACES	±				
2 PLACES	± 0.2				
1 PLACE	± 0.25				
0 PLACES	±	EC NO: 618332	DRWN: SMAHAJANSHET	2019/05/31	2019/06/05
DRAFT WHERE APPLICABLE MUST REMAIN WITHIN DIMENSIONS		THIRD ANGLE PROJECTION	DRAWING	SERIES	MATERIAL NUMBER
			A2-SIZE	207479	SEE TABLE
		INITIAL REVISION:		DRWN: GGUNAGI	2018/09/19
		APPR: NCSR		2019/02/05	2019/06/05
		DOCUMENT NUMBER		DOC TYPE	DOC PART
		2074790000-SD		PSD	000
		CUSTOMER		SHEET NUMBER	
		GENERAL MARKET		2 OF 2	

DOCUMENT STATUS	P1	RELEASE DATE	2019/06/05	07:23:16
-----------------	----	--------------	------------	----------