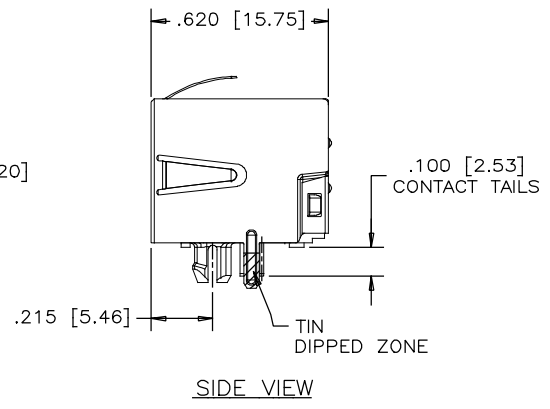
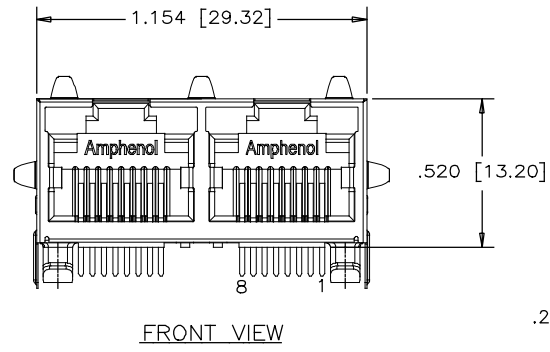
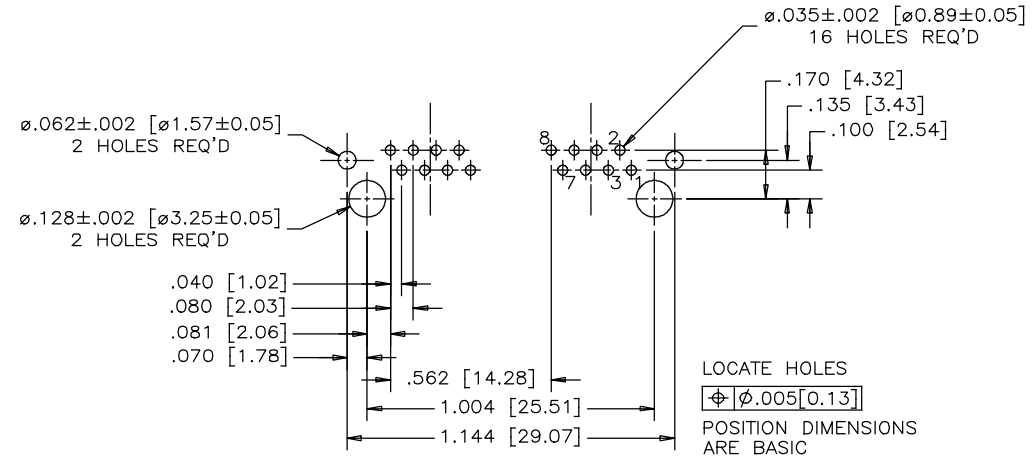


REVISIONS			
REV	DESCRIPTION, ECN, EAR NO.	DATE	APP'D
A	PROPOSAL	OCT27/17	L.CHAN



FRONT VIEW

SIDE VIEW



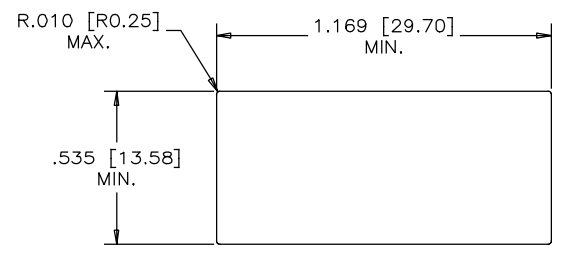
RECOMMENDED P.C.B. LAYOUT
(COMPONENT SIDE OF BOARD)



- MATERIALS:**
 PLASTIC HOUSING: HIGH TEMPERATURE THERMOPLASTIC
 FLAMMABILITY RATING UL 94V-0, COLOUR: BLACK

 CONTACTS: PHOSPHOR BRONZE
 PLATING: SELECTIVE GOLD PLATING ON MATING SURFACES,
 SEE AMPHENOL PART NUMBER FOR DETAIL.
 50 μ" [1.27 MICRONS] MIN. NICKEL UNDERPLATE
 100 μ" [2.54 MICRONS] MIN. MATTE TIN ON CONTACT TAILS

 SHIELD: STAINLESS STEEL WITH TIN DIPPED ON PCB TAILS.
- RECOMMENDED SOLDERING TEMPERATURE:**
 WAVE SOLDERING AT 260° C MAXIMUM FOR 5 SEC MAXIMUM.
- PART NUMBER:** RJE39-288-1X00
 GOLD PLATING OPTION
 0=GOLD FLASH
 1=6u" GOLD PLATING
 2=15u" GOLD PLATING
 3=30u" GOLD PLATING
 4=50u" GOLD PLATING
 REFER TO LED OPTIONS DRAWING FOR ORDERING CODES



RECOMMENDED PANEL CUTOUT

UNLESS SPECIFIED OTHERWISE	DRAWN AMY.Z	DATE OCT27/17
PRIMARY UNITS INCH	CHECKED LAWRENCE.C	OCT27/17
SECONDARY MILLIMETER	M.E. APP'D	
REFERENCE IN PARENTHESES	Q.A. APP'D	
GENERAL TOLERANCES	DWG APPR.	
1 DECIMAL PLACE ±0.025	ENG. REL. NO.	
2 DECIMAL PLACES ±0.020	REF.	
3 DECIMAL PLACES ±0.015	THIRD ANGLE PROJECTION	DO NOT SCALE DRAWING
ANGULAR DEGREES ±1.0°		

Amphenol Canada Corp. www.amphenolcanada.com	
TITLE 2 PORT HIGH SPEED MODULAR JACK, 8 POSITION, 8 CONTACTS, SHIELDED, WITHOUT LEDs - RoHS COMPLIANT	
DWG. NO. P-RJE39-288-1X00	REV A
CODE ID NO. 03554	DWG SIZE: C SCALE: N/A SHEET 1 OF 1