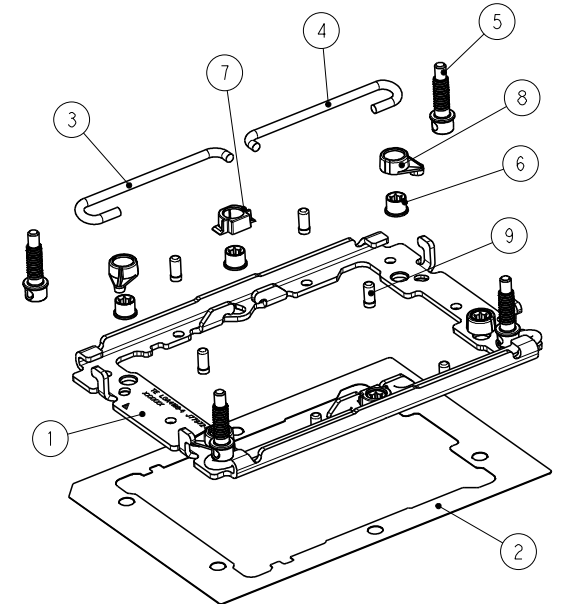
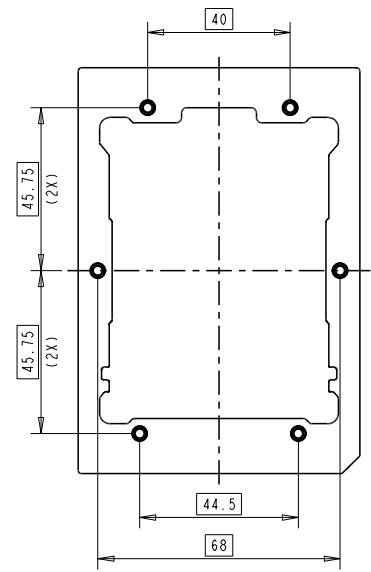
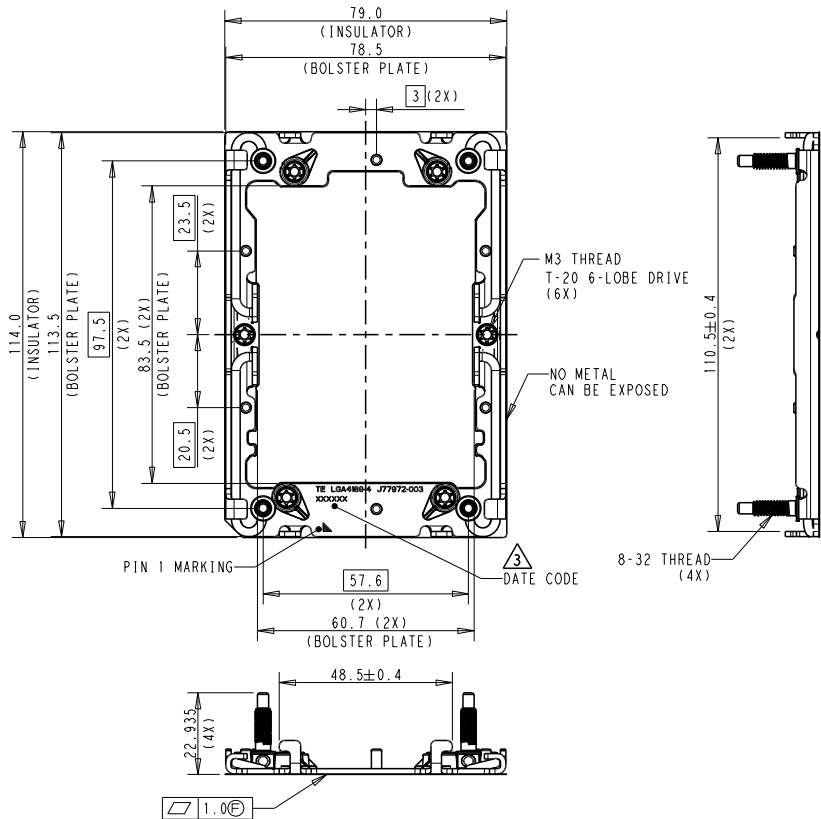


REVISIONS				
P	LTR	DESCRIPTION	DATE	OWN APVD
A		RELEASED	30 JUL 19	J.W S.L

P/N: 2-2330550-1 AS SHOW



- NOTES:
- MATERIAL:
    - 1 P4 TFLM BOLSTER PLATE: STAINLESS STEEL
    - 2 P4 TFLM BOLSTER INSULATOR: -POLYCARBONATE FILM PLUS ACRYLIC ADHESIVE LAYER
  - ICX TFLM SPRING-1: MUSIC WIRE, NICKEL PLATING
  - ICX TFLM SPRING-2: MUSIC WIRE, NICKEL PLATING
  - ICX TFLM SPRING STUD: STAINLESS STEEL
  - ICX TFLM M3 NUT : CARBON STEEL, NICKEL PLATING
  - ICX TFLM NUT CAP-SIDE: THERMO-PLASTIC, UL94V-0, BLACK
  - ICX TFLM NUT CAP: THERMO-PLASTIC, UL94V-0, BLACK
  - ICX TFLM WIRE STOP PIN: STAINLESS STEEL
2. ASSEMBLED WITH BACKPLATE ASSEMBLY P/N: 2330551 SERIES
3. INDICATED DATE CODE ON THE BOLSTER PLATE

Q'TY	DESCRIPTION	ITEM
6	ICX TFLM WIRE STOP PIN	9
4	ICX TFLM NUT CAP, BLACK	8
2	ICX TFLM NUT CAP, SIDE, BLACK	7
6	ICX TFLM M3 NUT	6
4	ICX TFLM SPRING STUD	5
2	ICX TFLM SPRING-2	4
2	ICX TFLM SPRING-1	3
1	P4 TFLM BOLSTER INSULATOR	2
1	P4 TFLM BOLSTER PLATE	1

THIS DRAWING IS A CONTROLLED DOCUMENT. DWG: 08FEB2018, JEFF WANG, CHG: 08FEB2018, BILL LV, APVD: 08FEB2018, SIMON LI, PRODUCT SPEC: -, APPLICATION SPEC: -, WEIGHT: -, CUSTOMER DRAWING

TE Connectivity

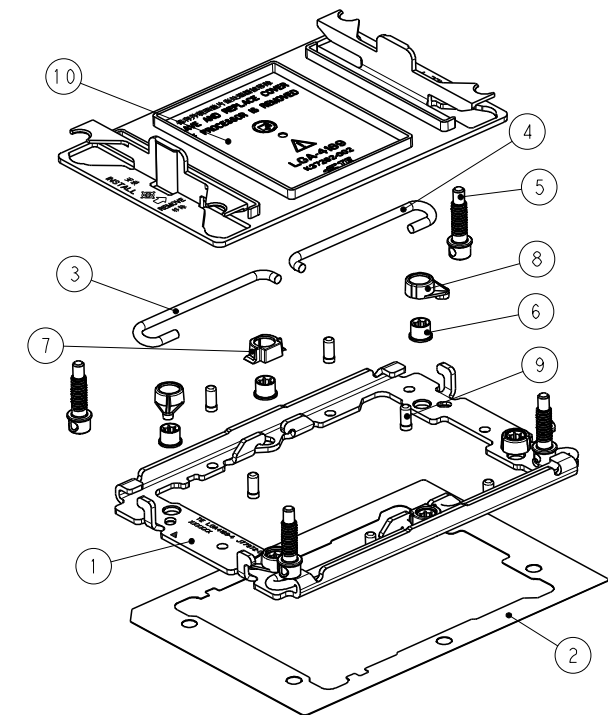
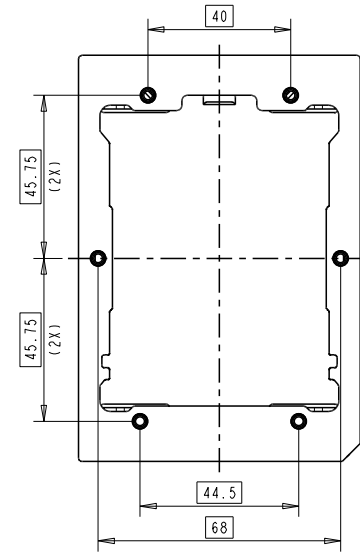
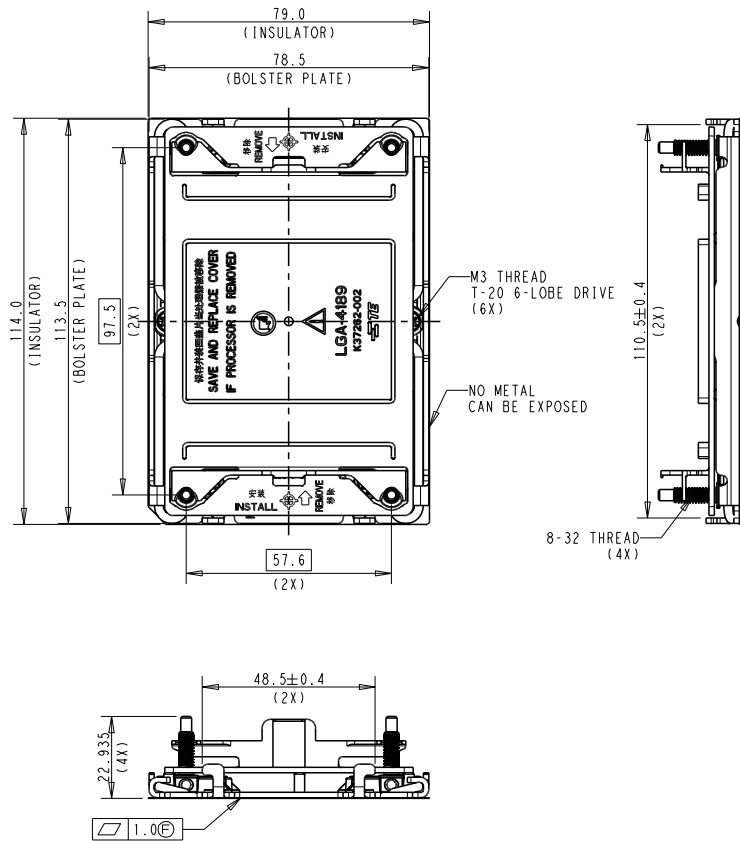
SOCKET P4 TFLM ASSY WITHOUT DUST COVER

SIZE: A200779, CAGE CODE: 2330550, DRAWING NO: 2330550, RESTRICTED TO: -

SCALE: 1:1, SHEET: 1 OF 4, REV: A

REVISIONS				
P	LTR	DESCRIPTION	DATE	OWN APVD
-	-	SEE SHEET 1	-	-

P/N: 2-2330550-2 AS SHOW



NOTES:

1. MATERIAL:
  - ① P4 TFLM BOLSTER PLATE: STAINLESS STEEL
  - ② P4 TFLM BOLSTER INSULATOR: POLYCARBONATE FILM PLUS ACRYLIC ADHESIVE LAYER
  - ③ ICX TFLM SPRING-1: MUSIC WIRE, NICKEL PLATING
  - ④ ICX TFLM SPRING-2: MUSIC WIRE, NICKEL PLATING
  - ⑤ ICX TFLM SPRING STUD: STAINLESS STEEL
  - ⑥ ICX TFLM M3 NUT : CARBON STEEL, NICKEL PLATING
  - ⑦ ICX TFLM NUT CAP-SIDE: THERMO-PLASTIC, UL94V-0, BLACK
  - ⑧ ICX TFLM NUT CAP: THERMO-PLASTIC, UL94V-0, BLACK
  - ⑨ ICX TFLM WIRE STOP PIN: STAINLESS STEEL
  - ⑩ DUST COVER: PC+ABS, UL94V-0, GREY
2. ASSEMBLED WITH BACKPLATE ASSEMBLY P/N: 2330551 SERIES
3. BOLSTER ASSY WITH DUST COVER, ALL DIMENSIONS ARE THE SAME AS PN 2-2330550-1.

Q'TY	DESCRIPTION	ITEM
1	DUST COVER, GREY	10
6	ICX TFLM WIRE STOP PIN	9
4	ICX TFLM NUT CAP, BLACK	8
2	ICX TFLM NUT CAP, SIDE, BLACK	7
6	ICX TFLM M3 NUT	6
4	ICX TFLM SPRING STUD	5
2	ICX TFLM SPRING-2	4
2	ICX TFLM SPRING-1	3
1	P4 TFLM BOLSTER INSULATOR	2
1	P4 TFLM BOLSTER PLATE	1

THIS DRAWING IS A CONTROLLED DOCUMENT.

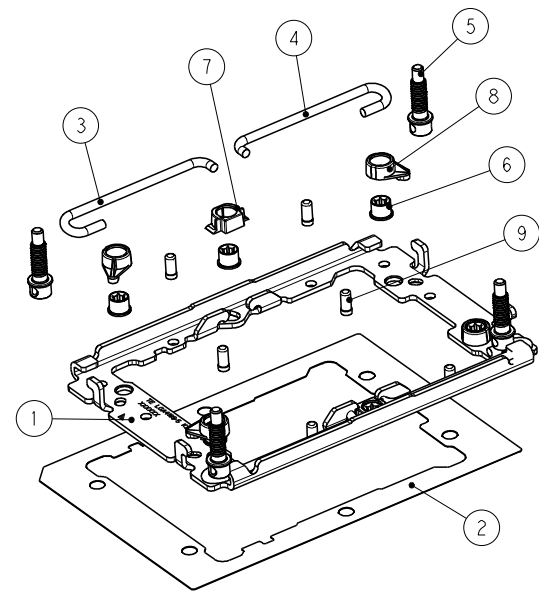
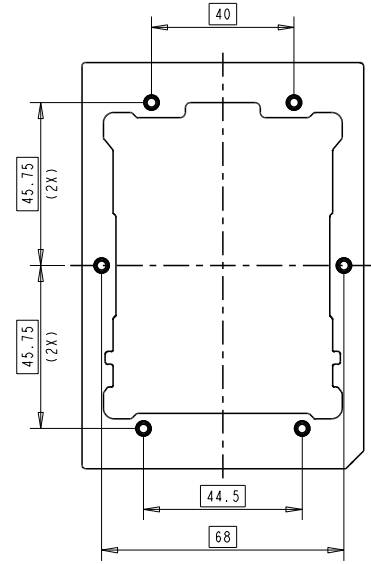
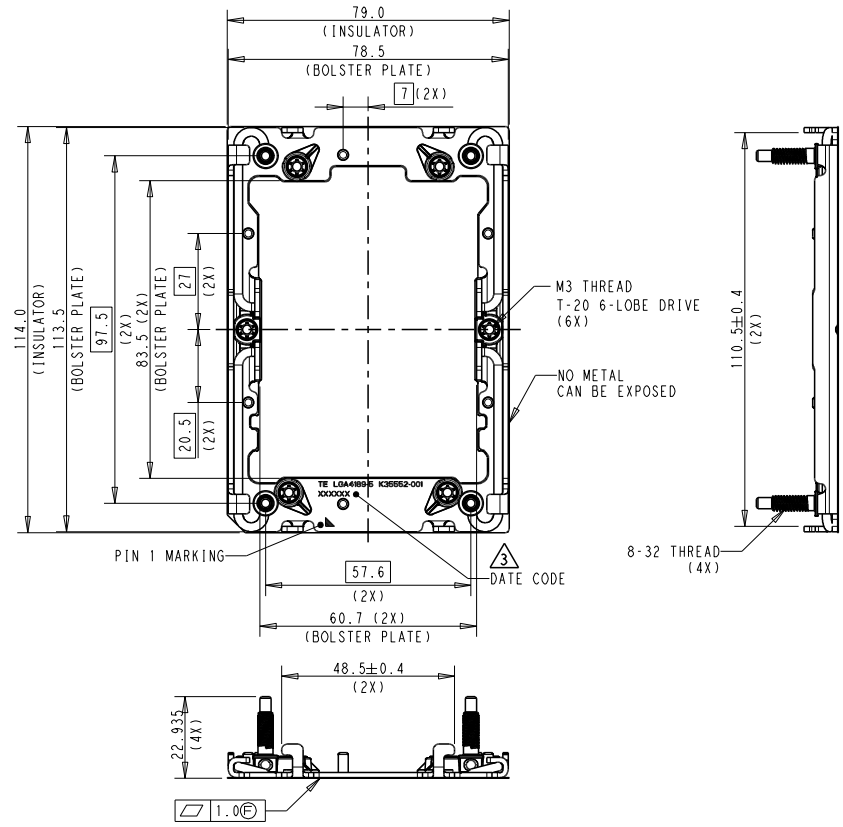
DIMENSIONS mm	TOLERANCES UNLESS OTHERWISE SPECIFIED: 0 PLC ±0.3 1 PLC ±0.3 2 PLC ±0.3 3 PLC ±0.3 4 PLC ±0.3 ANGLES FINISH	DWN: JEFF WANG 08FEB2018 CHG: BILL LY 08FEB2018 APVD: SIMON LI 08FEB2018 PRODUCT SPEC: - APPLICATION SPEC: - WEIGHT: - CUSTOMER DRAWING	NAME: SIMON LI SIZE: A2 CAGE CODE: 00779 DRAWING NO: C-2330550 RESTRICTED TO: - SCALE: 1:1 SHEET: 2 OF 4 REV: A
------------------	--	---	--

SOCKET P4 TFLM ASSY WITH DUST COVER

TE Connectivity

REVISIONS					
P	LTR	DESCRIPTION	DATE	DMN	APVD
-	-	SEE SHEET 1	-	-	-

P/N: 3-2330550-1 AS SHOW



- NOTES:  
 1. MATERIAL:  
 ① P5 TFLM BOLSTER PLATE: STAINLESS STEEL  
 ② P5 TFLM BOLSTER INSULATOR:  
 -POLYCARBONATE FILM PLUS ACRYLIC ADHESIVE LAYER  
 ③ ICX TFLM SPRING-1: MUSIC WIRE, NICKEL PLATING  
 ④ ICX TFLM SPRING-2: MUSIC WIRE, NICKEL PLATING  
 ⑤ ICX TFLM SPRING STUD: STAINLESS STEEL  
 ⑥ ICX TFLM M3 NUT : CARBON STEEL, NICKEL PLATING  
 ⑦ ICX TFLM NUT CAP-SIDE: THERMO-PLASTIC, UL94V-0, GREY  
 ⑧ ICX TFLM NUT CAP: THERMO-PLASTIC, UL94V-0, GREY  
 ⑨ ICX TFLM WIRE STOP PIN: STAINLESS STEEL  
 2. ASSEMBLED WITH BACKPLATE ASSEMBLY P/N: 2330551 SERIES  
 3. INDICATED DATE CODE ON THE BOLSTER PLATE

6	ICX TFLM WIRE STOP PIN	9
4	ICX TFLM NUT CAP, GREY	8
2	ICX TFLM NUT CAP, SIDE, GREY	7
6	ICX TFLM M3 NUT	6
4	ICX TFLM SPRING STUD	5
2	ICX TFLM SPRING-2	4
2	ICX TFLM SPRING-1	3
1	P5 TFLM BOLSTER INSULATOR	2
1	P5 TFLM BOLSTER PLATE	1
Q'TY	DESCRIPTION	ITEM

THIS DRAWING IS A CONTROLLED DOCUMENT. DMN: 08FEB2018  
 CHG: JEFF WANG 08FEB2018  
 BILL LV 08FEB2018  
 APVD: SIMON LI 08FEB2018

JEFF WANG  
 BILL LV  
 SIMON LI

NAME: SOCKET P5 TFLM ASSY WITHOUT DUST COVER  
 PRODUCT SPEC: -  
 APPLICATION SPEC: -  
 WEIGHT: -  
 MATERIAL: -

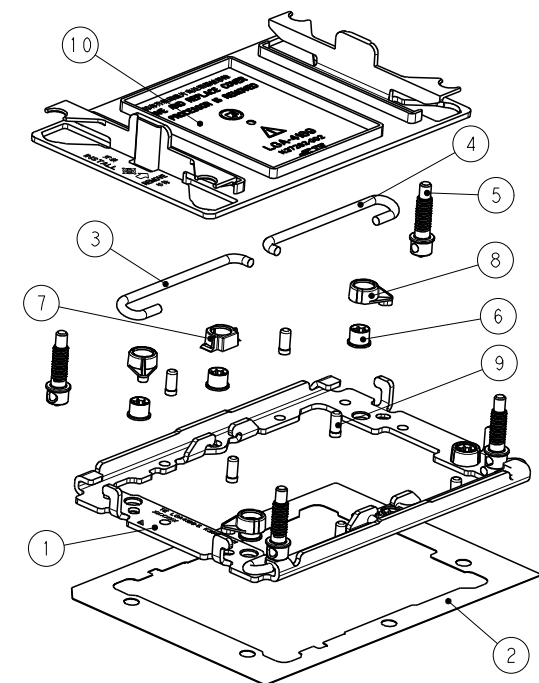
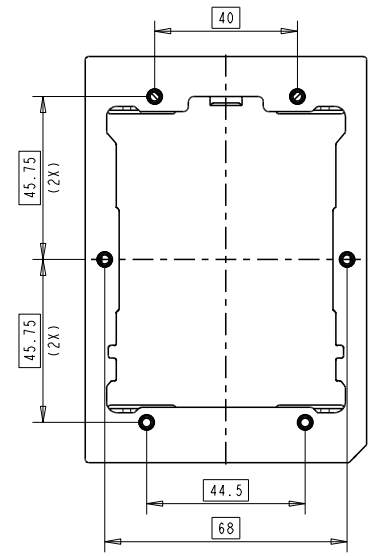
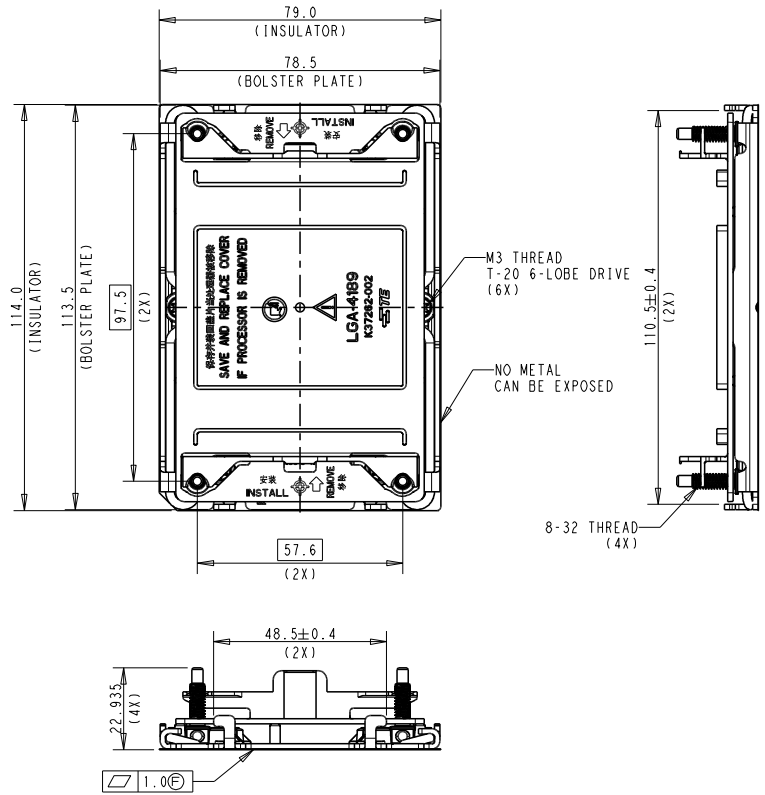
SCALE: 1:1  
 SHEET: 3 OF 4  
 REV: A

RESTRICTED TO: -

CUSTOMER DRAWING

REVISIONS				
P	LTR	DESCRIPTION	DATE	OWN APVD
-	-	SEE SHEET 1	-	-

P/N: 3-2330550-2 AS SHOW



- NOTES:  
 1. MATERIAL:  
 ① P5 TFLM BOLSTER PLATE: STAINLESS STEEL  
 ② P5 TFLM BOLSTER INSULATOR: -POLYCARBONATE FILM PLUS ACRYLIC ADHESIVE LAYER  
 ③ ICX TFLM SPRING-1: MUSIC WIRE, NICKEL PLATING  
 ④ ICX TFLM SPRING-2: MUSIC WIRE, NICKEL PLATING  
 ⑤ ICX TFLM SPRING STUD: STAINLESS STEEL  
 ⑥ ICX TFLM M3 NUT : CARBON STEEL, NICKEL PLATING  
 ⑦ ICX TFLM NUT CAP-SIDE: THERMO-PLASTIC, UL94V-0, GREY  
 ⑧ ICX TFLM NUT CAP: THERMO-PLASTIC, UL94V-0, GREY  
 ⑨ ICX TFLM WIRE STOP PIN: STAINLESS STEEL  
 ⑩ DUST COVER: PC+ABS, UL94V-0, GREY  
 2. ASSEMBLED WITH BACKPLATE ASSEMBLY P/N: 2330551 SERIES  
 3. BOLSTER ASSY WITH DUST COVER, ALL DIMENSIONS ARE THE SAME AS PN 3-2330550-1.

Q'TY	DESCRIPTION	ITEM
1	DUST COVER, GREY	10
6	ICX TFLM WIRE STOP PIN	9
4	ICX TFLM NUT CAP, GREY	8
2	ICX TFLM NUT CAP, SIDE, GREY	7
6	ICX TFLM M3 NUT	6
4	ICX TFLM SPRING STUD	5
2	ICX TFLM SPRING-2	4
2	ICX TFLM SPRING-1	3
1	P5 TFLM BOLSTER INSULATOR	2
1	P5 TFLM BOLSTER PLATE	1

THIS DRAWING IS A CONTROLLED DOCUMENT. DWN: 08FEB2018  
 CHG: JEFF WANG 08FEB2018  
 BILL LV 08FEB2018  
 APVD: SIMON LI 08FEB2018

JEFF WANG  
 BILL LV  
 SIMON LI

TE Connectivity

SOCKET P5 TFLM ASSY WITH DUST COVER

SIZE: A200779 CAGE CODE: C-2330550 DRAWING NO: 2330550-2

MATERIAL: - WEIGHT: - CUSTOMER DRAWING

SCALE: 1:1 SHEET: 4 OF 4 REV: A