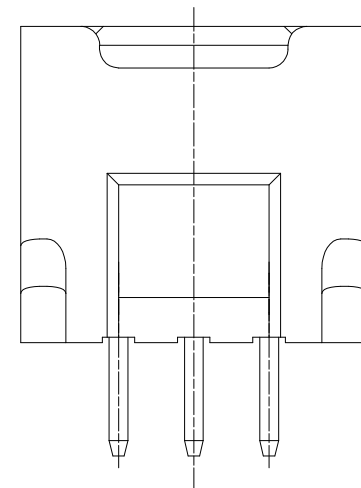
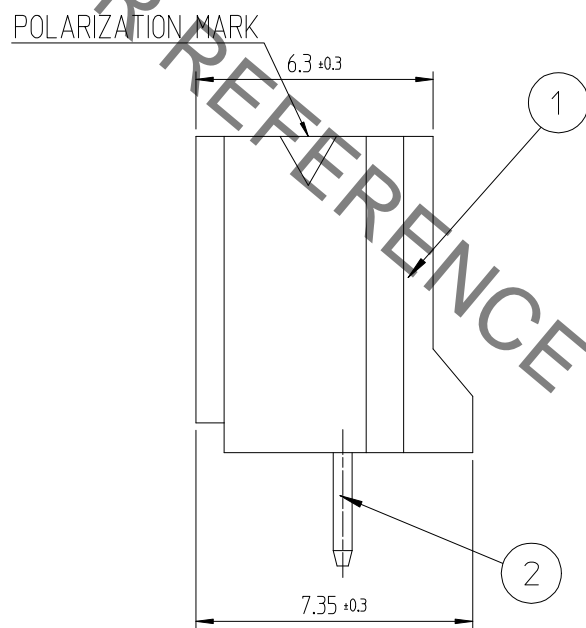
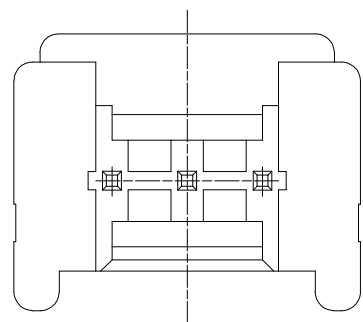
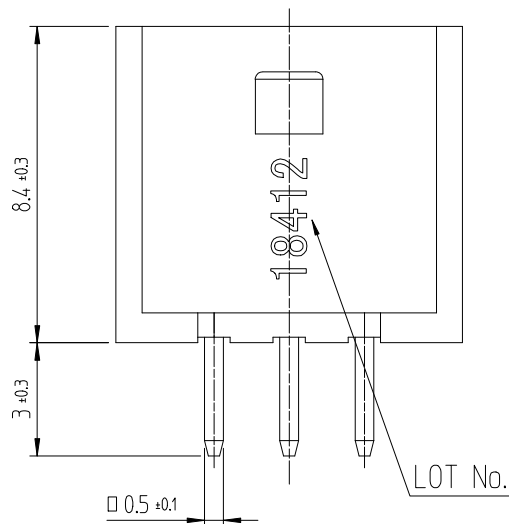
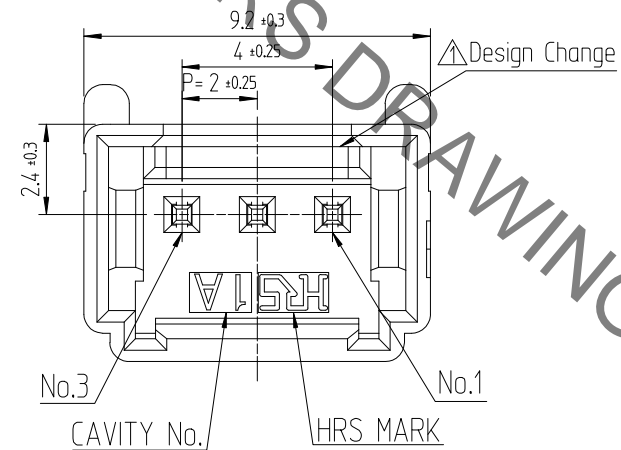
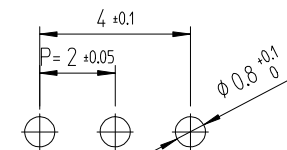


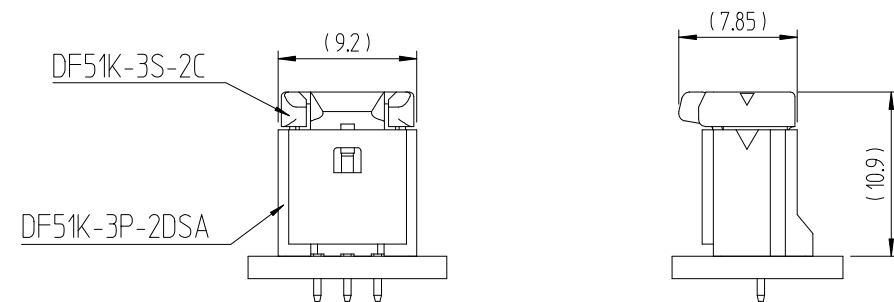
Dec.1.2019 Copyright 2019 HIROSE ELECTRIC CO., LTD. All Rights Reserved.
In case of consideration for using Automotive equipment / device which demand high reliability, kindly contact our sales window



RECOMMENDED LAND PATTERN (FREE)
(PCB THICKNESS t=1.6mm)



ENGAGEMENT FIGURE (2:1)



NOTE 1. 1PACK CONTAINS 100PCS.
2. () DIMENSIONS ARE ONLY REFERENCE.

△數 COUNT	訂正事項 DESCRIPTION OF REVISIONS	擔當 B Y	檢圖 CHKD	年月日 DATE	△數 COUNT	訂正事項 DESCRIPTION OF REVISIONS	擔當 B Y	檢圖 CHKD	年月日 DATE
1	RE-6-1150	K.I.Y	L.S.M	18. 07. 04					

1	PBT	UL94V-0, BLACK	2	BRASS	GOLD PLATING 0.1μm MIN, OVER NICKEL 0.5μm MIN				
NO.	MATERIAL	FINISH,REMARKS	NO.	MATERIAL	FINISH,REMARKS				
CODE NO. (OLD)			DRAWN		DESIGNED	CHECKED	APPROVED	RELEASED	
			CHOI 17.12.22 J.S		CHOI 17.12.22 J.S	LIM 17.12.22 S.M	KANG 17.12.22 T.S		
DRAWING NO. EDC3-632303			PART NO. DF51K-3P-2DSA (805)						
SCALE 5:1			UNITS mm		HRS HIROSE KOREA CO.,LTD.			CODE NO. CL 6652-0002-4-805	
								1/1	