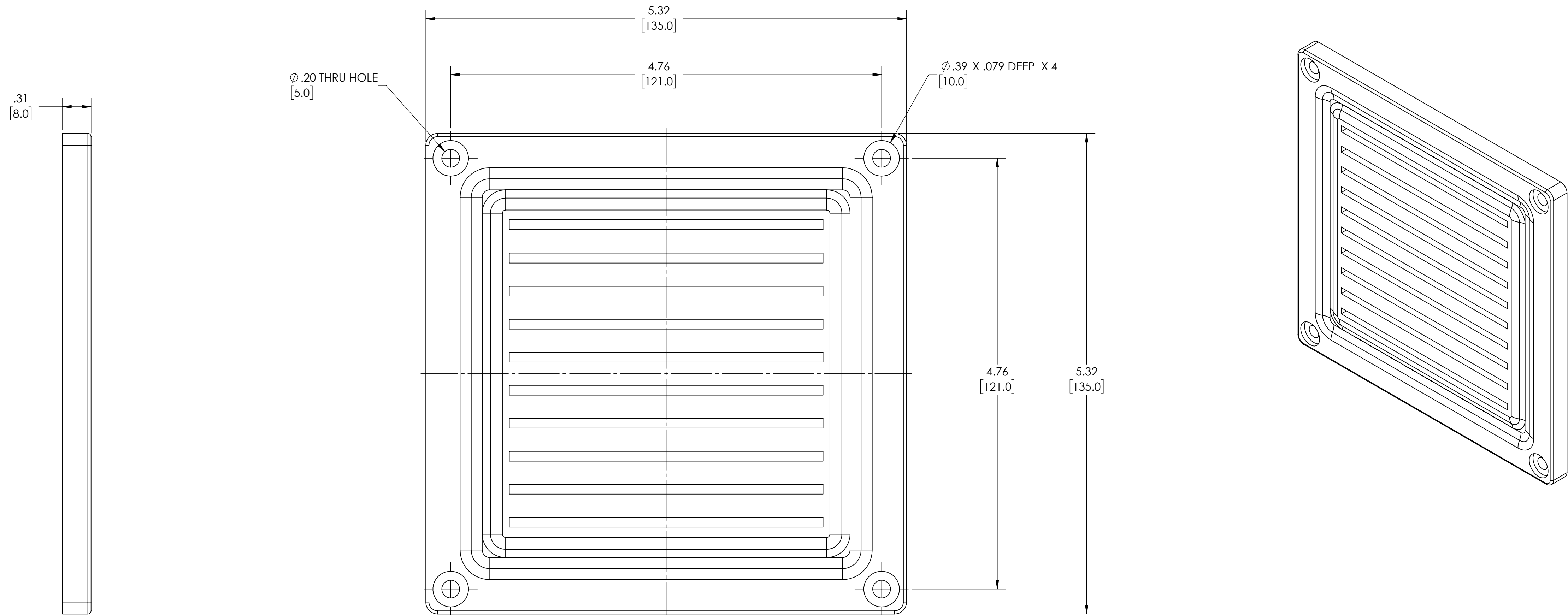


NOTES:

1. MATERIAL: PLASTIC, E-PTFE,SILICON  
COLOR: -B(BLACK) -W(WHITE)
2. ALL DIMENSIONS HAVE ±.03[.76] TOLERANCE UNLESS OTHERWISE SPECIFIED
3. DIMENSIONS ARE INCH [MM]

4. TECHNICAL DATA:

ART NO.: CF100(1 packing unit = 1 pieces,with 4 tapping screw)  
MOUNTING: SCREW MOUNTING  
MAXIMUM SIZE AND AREA: RECTANGULAR,100mm<sup>2</sup>  
DIMENSIONS: 135×135×8mm  
WEIGHT: APPROXIMATELY 98g  
FITTING POSITION: VARIABLE  
OPERATING TEMPERATURE: -40 to +100α  
IP RATING: IP 65  
AIR PERM: 3m<sup>3</sup>/m<sup>2</sup>.min  
COLLECTION EFFICIENCY: 95%-99.9995%  
INITIAL RESISTANCE: <86Pa



**DRAWING FOR REFERENCE**

WE RESERVE THE RIGHT TO MAKE CHANGES TO OUR  
STANDARD PRODUCTS. PLEASE CONSULT WITH BUD INDUSTRIES  
PRIOR TO USING THIS DRAWING FOR DESIGN PURPOSE.