

MATERIALS AND FINISHES:

BODY: ZINC ALLOY
 PLATED: TIN (100 μ-in MIN) OVER
 NICKEL (100 μ-in MIN) OVER
 COPPER (200 μ-in MIN)

CONTACT: BRASS
 PLATED: GOLD (5 μ-in MIN) OVER
 NICKEL (50 μ-in MIN)

INSULATOR: PTFE

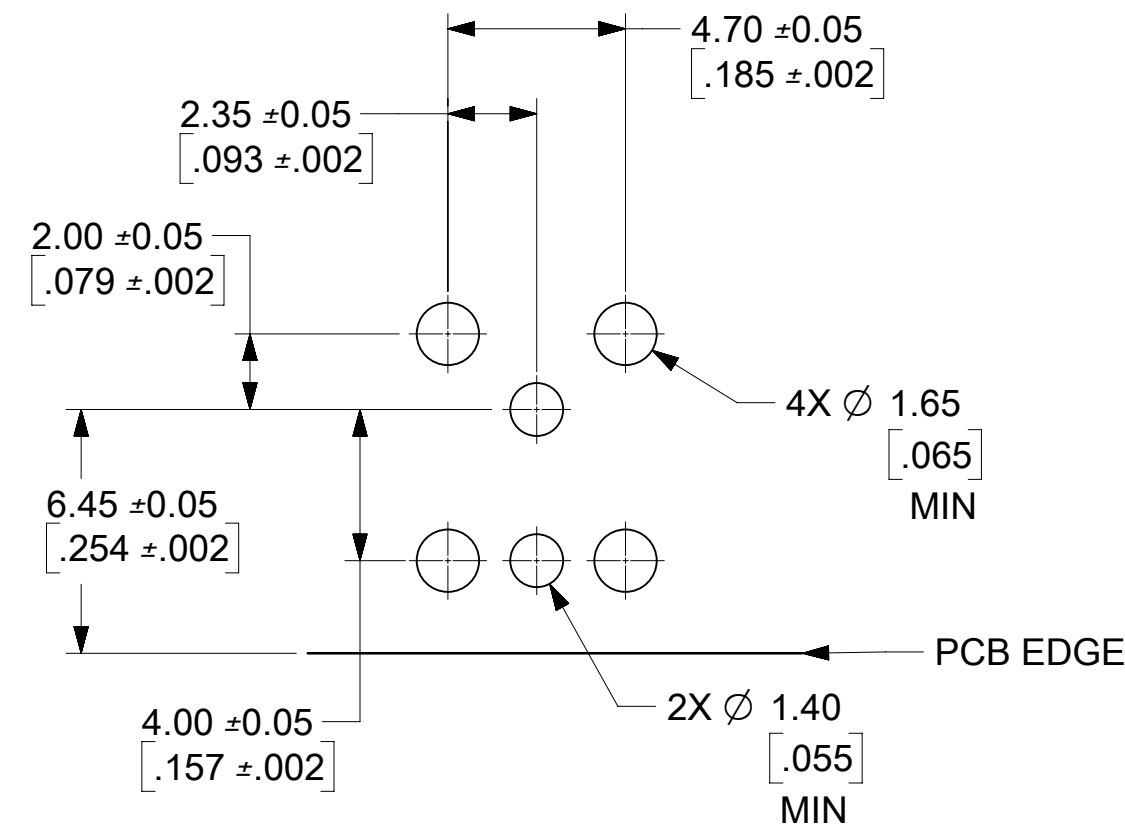
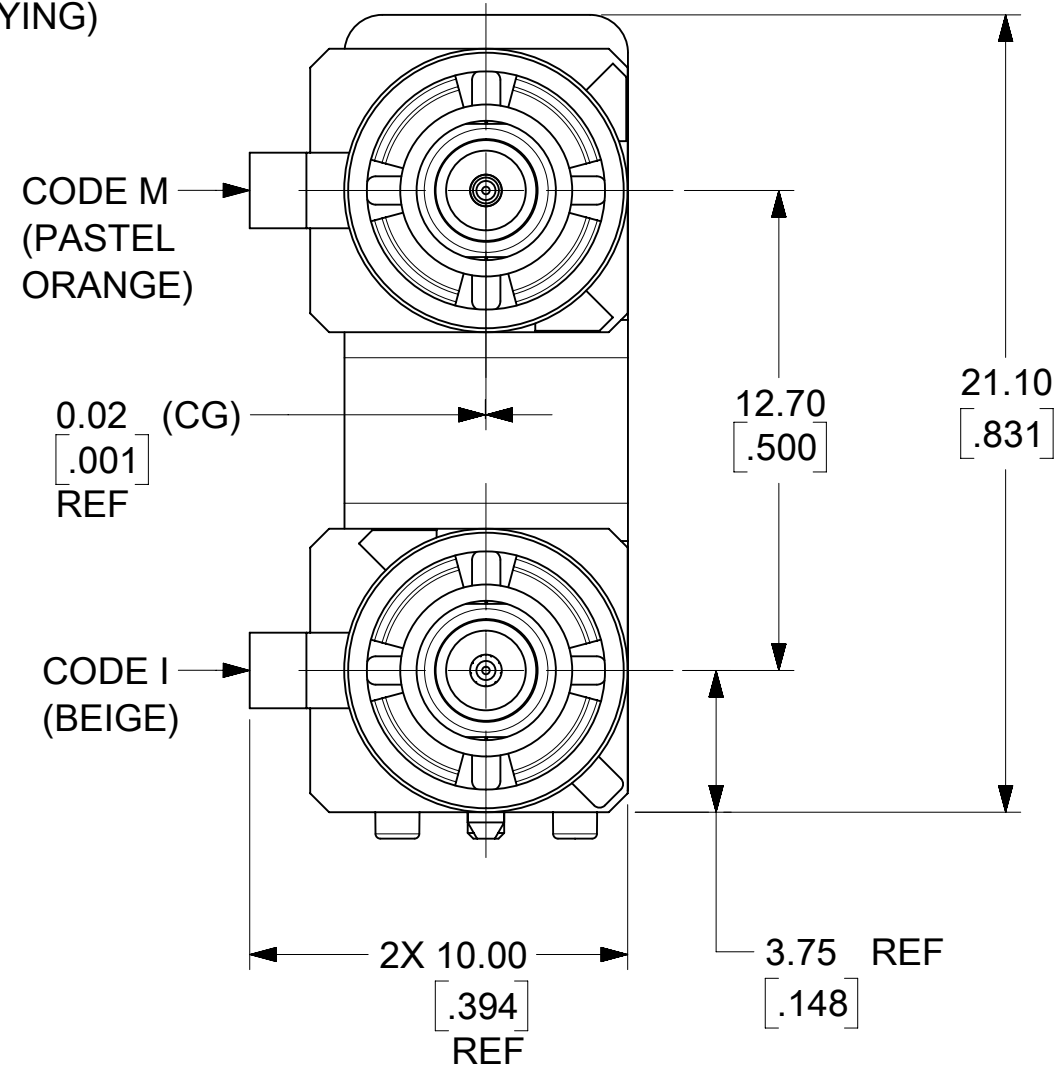
SHROUD: HIGH TEMP PLASTIC
 (SEE P/N FOR SHROUD KEYING)

RETENTION SPECIFICATION:

THE FAKRA CONNECTOR SHROUD WILL WITHSTAND
 A LONGITUDINAL FORCE OF 110 N (24.86 LB)

ASSEMBLY MEETS USCAR-17 WHEN MATED WITH
 APTIV P/N'S: PE407879, (CODE M) REV 01 AND
 PE407880, (CODE I) REV 01

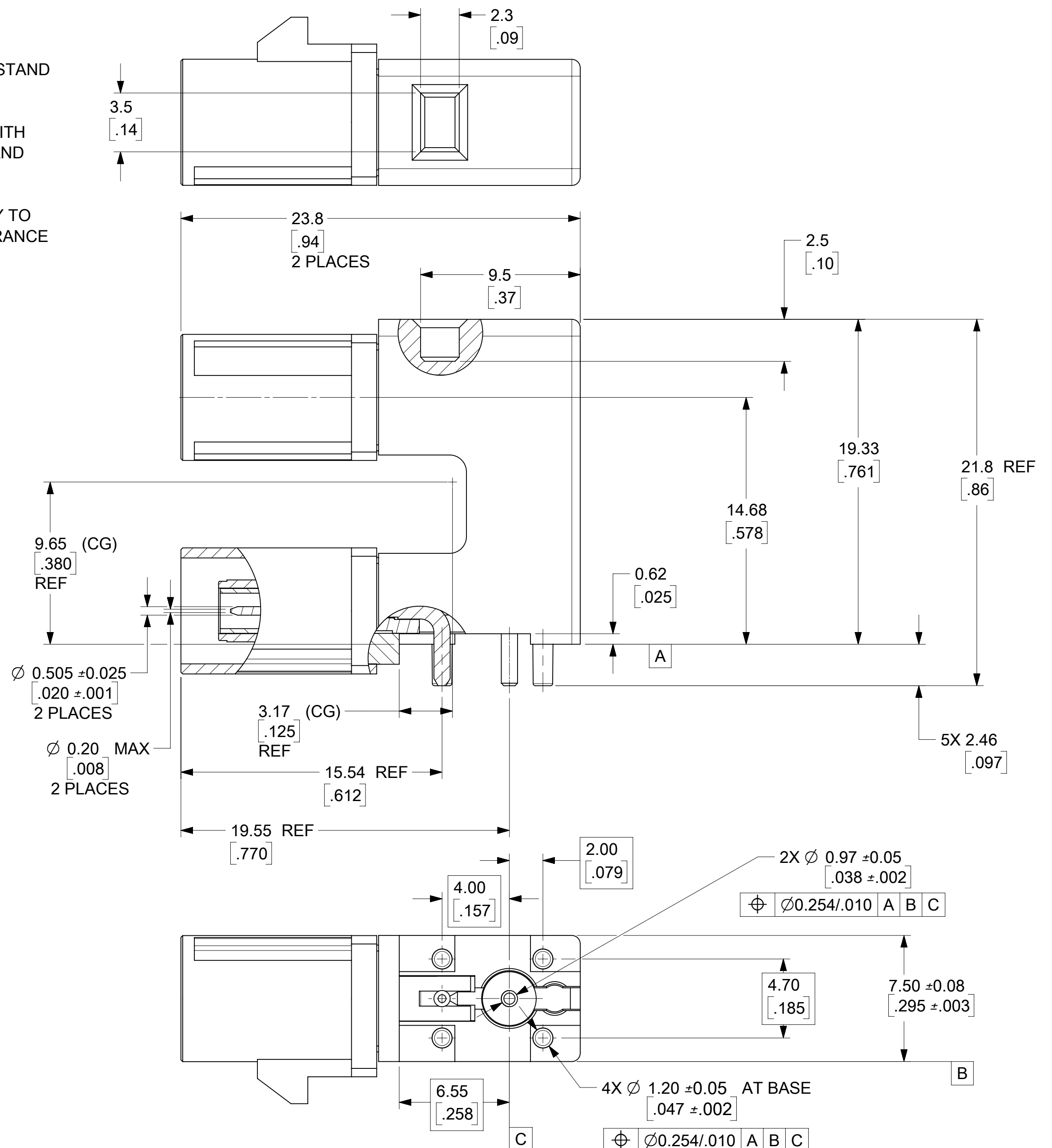
NOTE: HEADER LAYOUT/PANEL MUST COMPLY TO
 UASCAR -18 SECTION 5 TO ALLOW FOR CLEARANCE
 OF FAKRA MATING CONNECTOR(S)



RECOMMENDED PCB LAYOUT

APPROXIMATE WEIGHT (g) 10.47

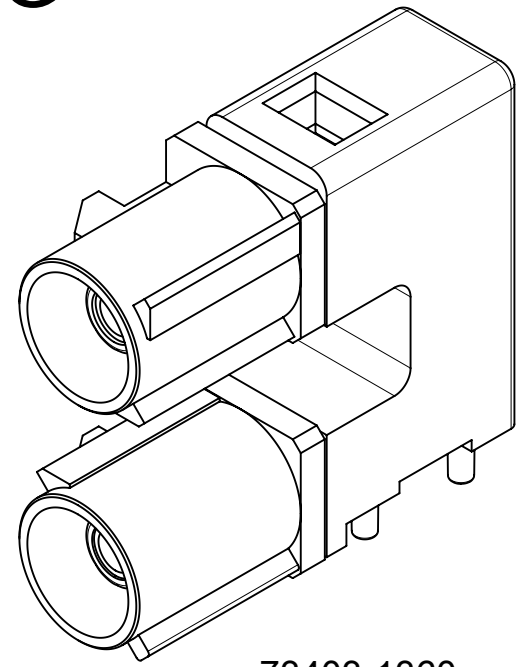
73403-1361	M, I	TAPE & REEL
73403-1360	M, I	TRAY
PART NO.	KEYING CODE	PACKAGING



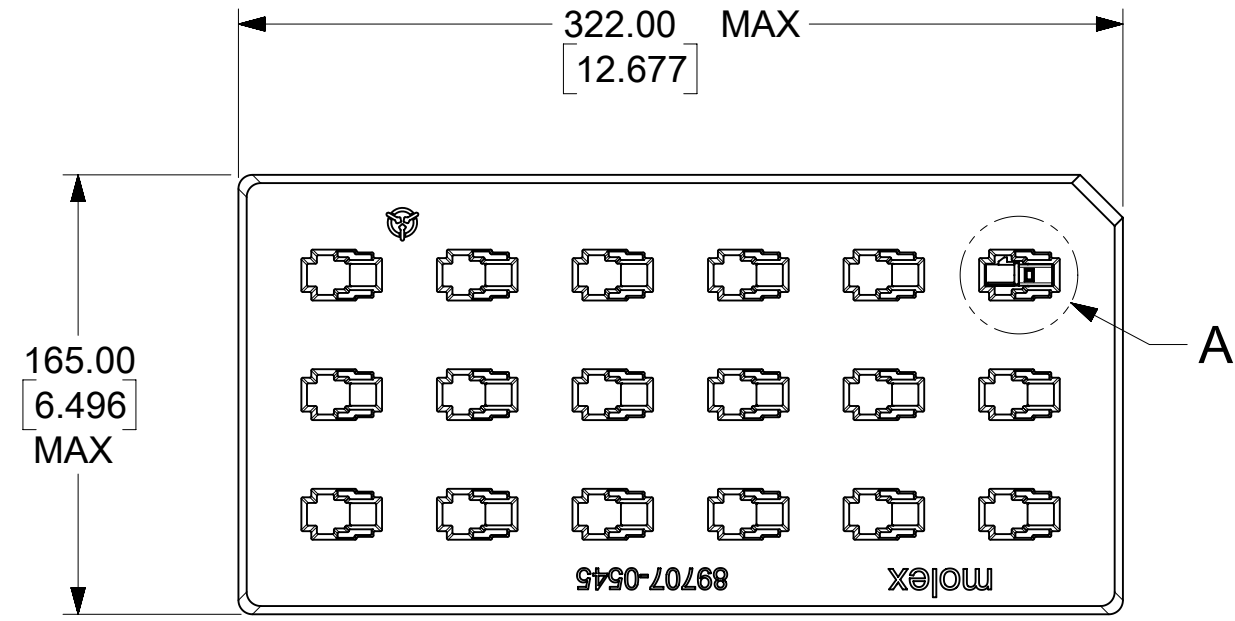
SYMBOLS		THIS DRAWING CONTAINS INFORMATION THAT IS PROPRIETARY TO MOLEX ELECTRONIC TECHNOLOGIES, LLC AND SHOULD NOT BE USED WITHOUT WRITTEN PERMISSION	
▽ = 0	MM/IN	SCALE	CURRENT REV DESC:
▽ = 0	GENERAL TOLERANCES (UNLESS SPECIFIED)	NTS	
▽ = 0			EC NO: 626923
▽ = 0	4 PLACES ±		DRWN: LMEIER 2019/09/05
▽ = 0	3 PLACES ±	± 0.005	CHK'D: AROBERTSON 2019/11/07
▽ = 0	2 PLACES ±	0.13 ± 0.01	APPR: AROBERTSON 2019/11/07
▽ = 0	1 PLACE ±	0.25 ±	INITIAL REVISION:
▽ = 0	0 PLACES ±		DRWN: SSSHAH 2018/02/28
▽ = 0	ANGULAR TOL ± °		APPR: AROBERTSON 2018/03/21
▽ = 0	DRAFT WHERE APPLICABLE MUST REMAIN WITHIN DIMENSIONS	THIRD ANGLE PROJECTION	DRAWING SERIES
		C-SIZE	73403

DOCUMENT NUMBER		DOC TYPE	DOC PART	REVISION
734031360		PSD	000	D
MATERIAL NUMBER	CUSTOMER	SHEET NUMBER		
SEE TABLE		1 OF 4		

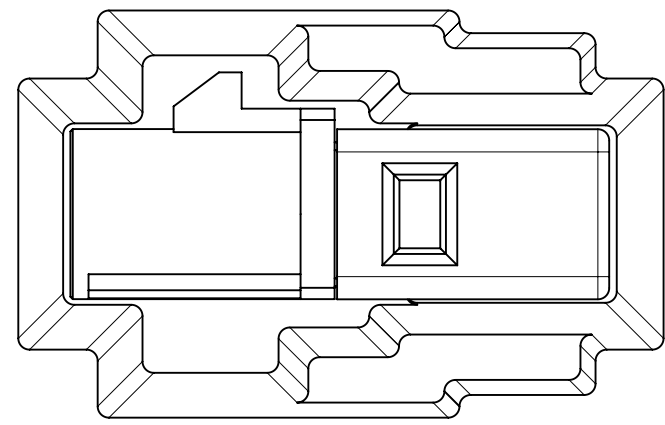
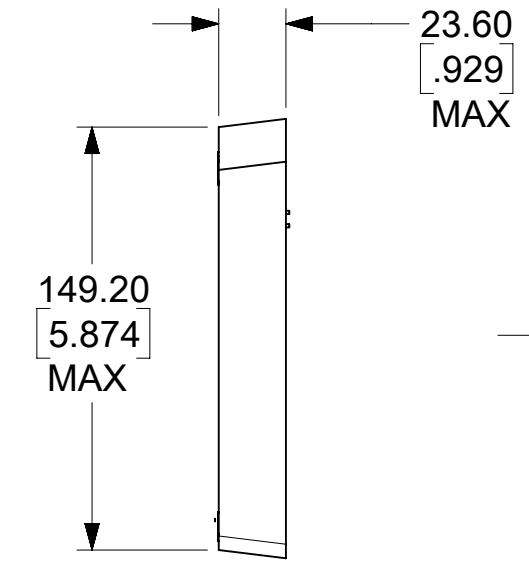
PACKAGING



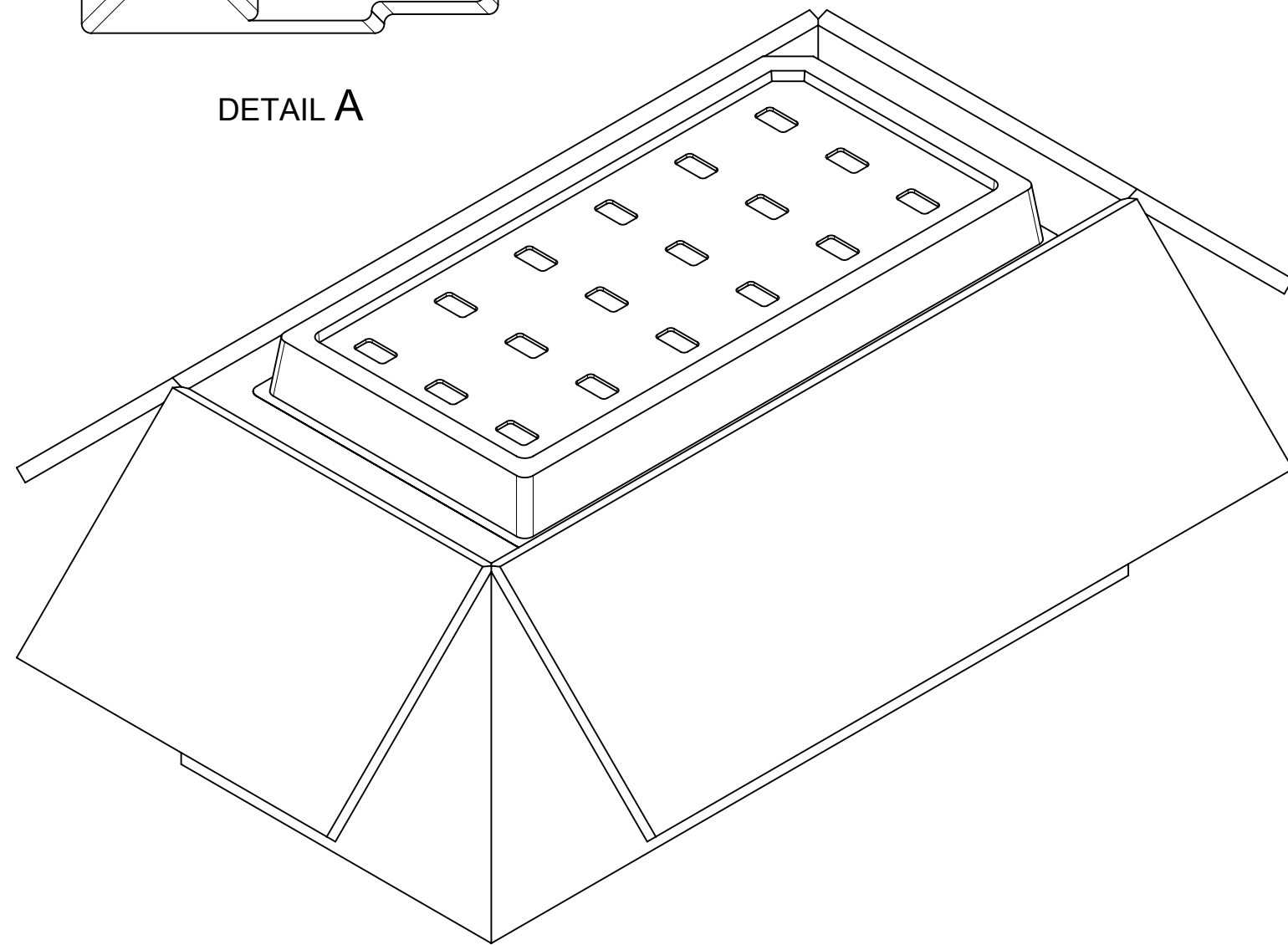
73403-1360



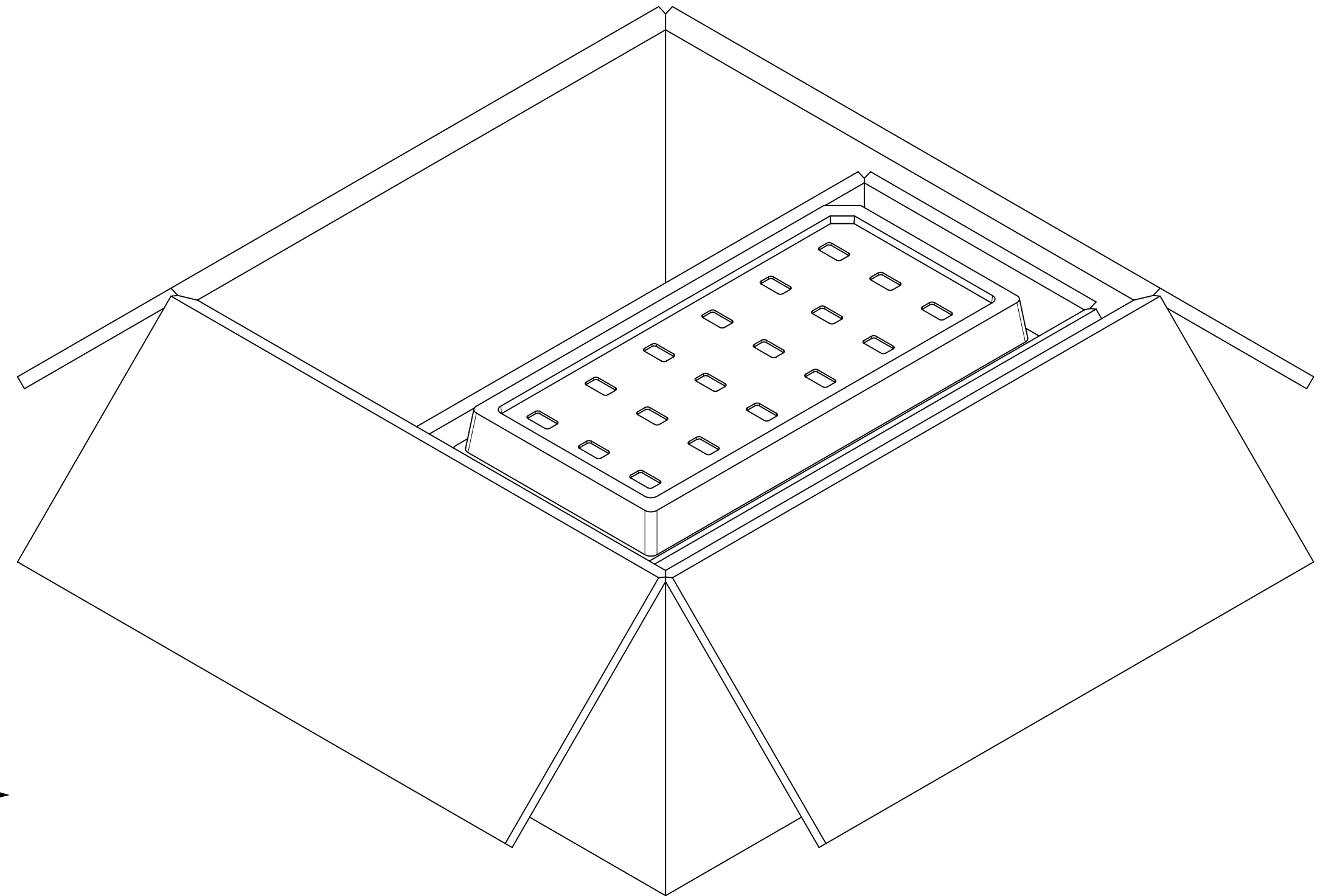
18 SET PER TRAY
TRAY P/N 89707-0545



DETAIL A



126 SETS PER INNER CARTON BOX
PART NO. 96707-0001



252 SETS PER OUTER CARTON BOX
PART NO. 96708-0005

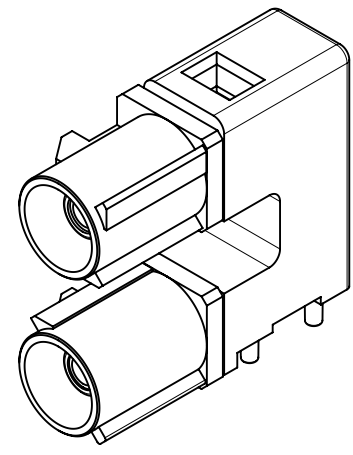
SYMBOLS	THIS DRAWING CONTAINS INFORMATION THAT IS PROPRIETARY TO MOLEX ELECTRONIC TECHNOLOGIES, LLC AND SHOULD NOT BE USED WITHOUT WRITTEN PERMISSION			
	DIMENSION UNITS		SCALE	
∇ = 0	MM/IN	NTS		CURRENT REV DESC:
∇ = 0	GENERAL TOLERANCES (UNLESS SPECIFIED)			
∇ = 0		MM	INCH	EC NO: 626923 DRWN: LMEIER 2019/09/05 CHK'D: AROBERTSON 2019/11/07 APPR: AROBERTSON 2019/11/07
S = 0	4 PLACES	±	±	
∇ = 0	3 PLACES	±	± 0.005	INITIAL REVISION: DRWN: SSSHAH 2018/02/28 APPR: AROBERTSON 2018/03/21
∇ = 0	2 PLACES	± 0.13	± 0.01	
∇ = 0	1 PLACE	± 0.25	±	DOCUMENT NUMBER: 734031360 DOC TYPE: PSD DOC PART: 000 REVISION: D
∇ = 0	0 PLACES	±	±	
∇ = 0	ANGULAR TOL	±	°	MATERIAL NUMBER: SEE TABLE CUSTOMER: SHEET NUMBER: 2 OF 4
∇ = 0	DRAFT WHERE APPLICABLE MUST REMAIN WITHIN DIMENSIONS	THIRD ANGLE PROJECTION		
∇ = 0		DRAWING: C-SIZE		SERIES: 73403

molex

FAKRA R/A PCB JACK 2-WAY 12.7MM
EWR-10015

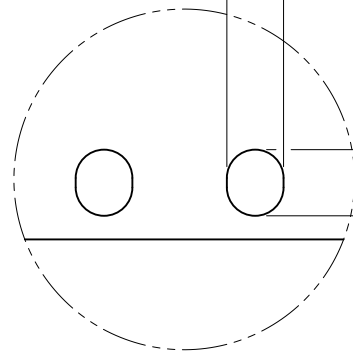
PRODUCT CUSTOMER DRAWING

PACKAGING



73403-1361

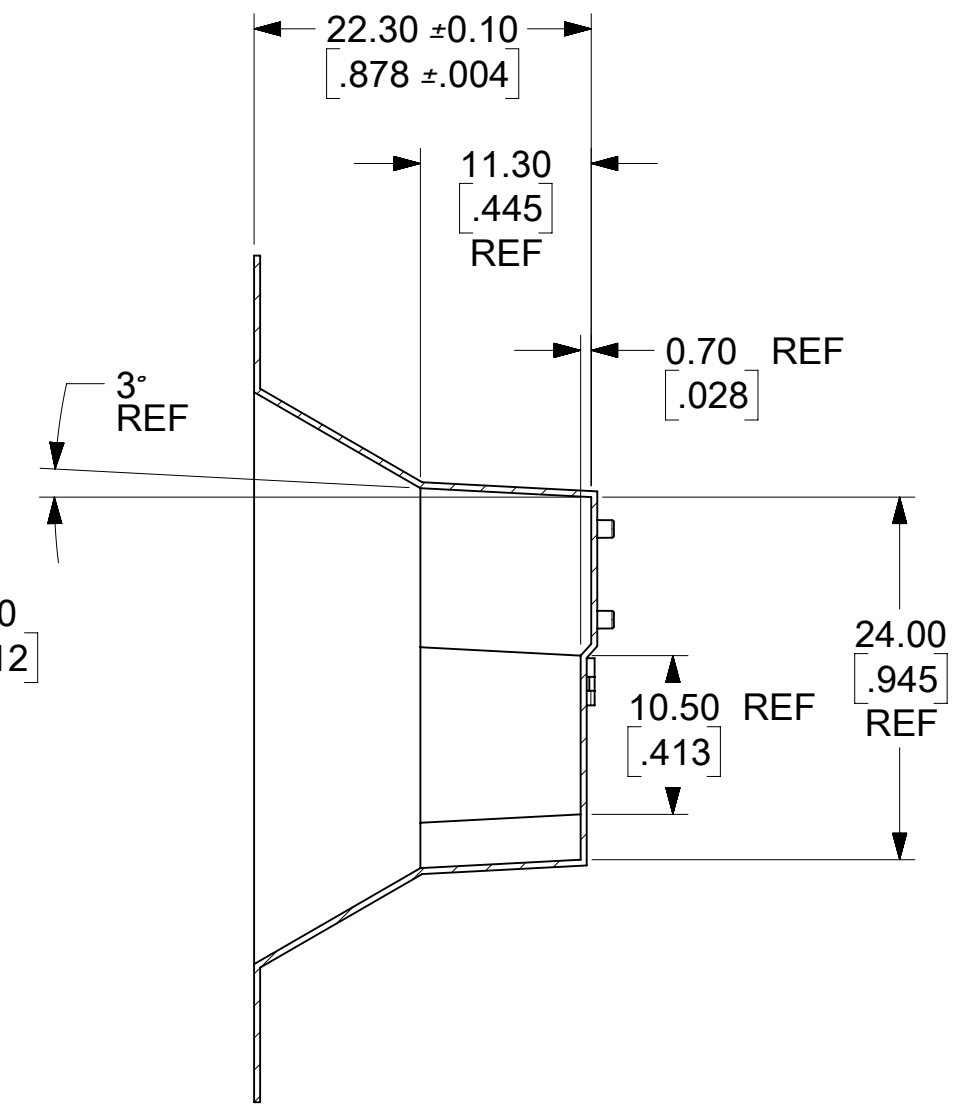
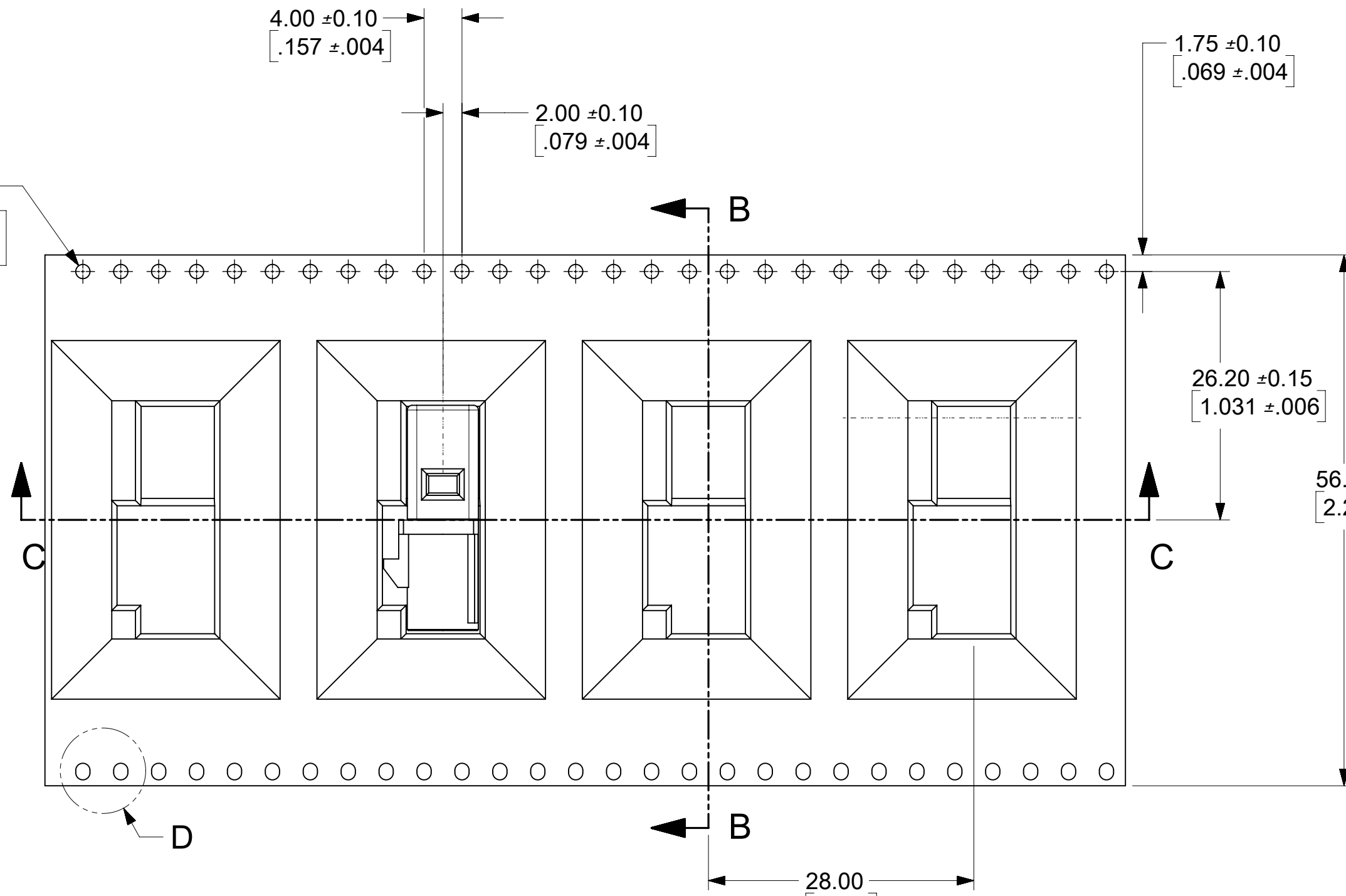
1.50 ±0.10
[.059 ±.004]
TYP



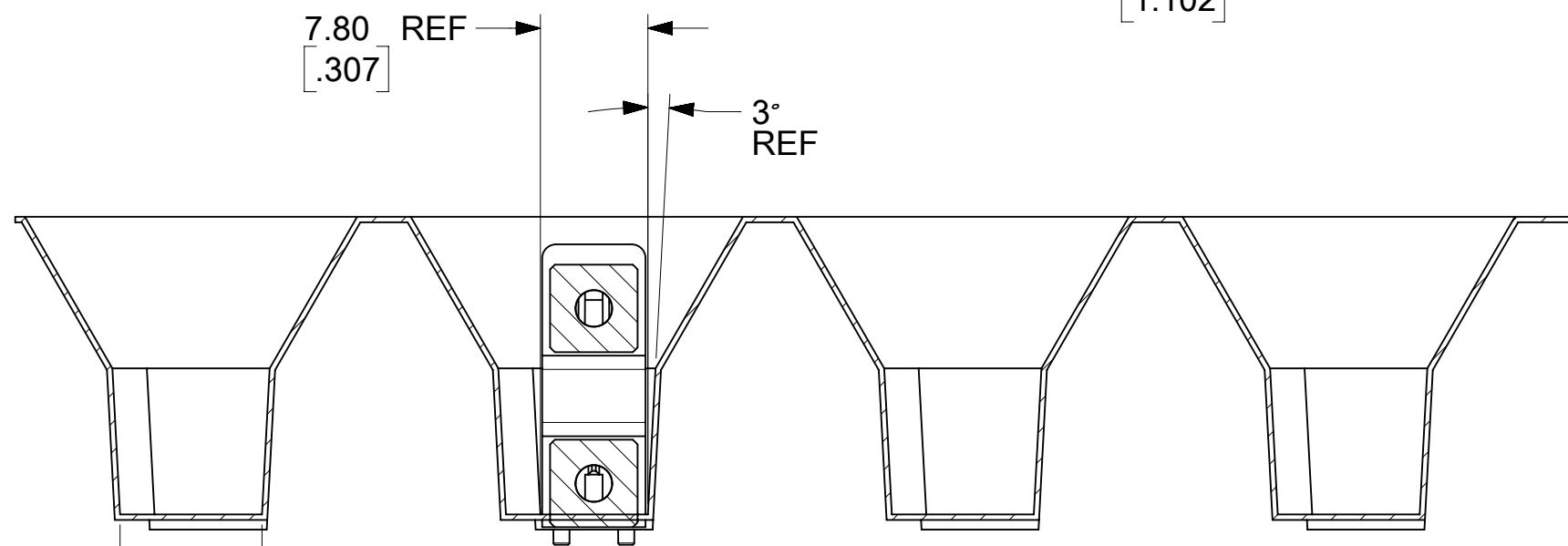
DETAIL D

1.75 ±0.10
[.069 ±.004]
TYP

∅ 1.50 +0.10
-0.00
[.059 +.004
-.000]
TYP.



SECTION B-B



SECTION C-C

NOTE:
MATERIAL: PS BLACK THICKNESS: 0.50±0.05(.020±.002)

SYMBOLS	THIS DRAWING CONTAINS INFORMATION THAT IS PROPRIETARY TO MOLEX ELECTRONIC TECHNOLOGIES, LLC AND SHOULD NOT BE USED WITHOUT WRITTEN PERMISSION			
	DIMENSION UNITS		SCALE	
∇ = 0	MM/IN	NTS		CURRENT REV DESC:
∇ = 0	GENERAL TOLERANCES (UNLESS SPECIFIED)			
∇ = 0		MM	INCH	EC NO: 626923 DRWN: LMEIER 2019/09/05 CHK'D: AROBERTSON 2019/11/07 APPR: AROBERTSON 2019/11/07
S = 0	4 PLACES ±	±	±	
∇ = 0	3 PLACES ±	±	± 0.005	INITIAL REVISION: DRWN: SSSHAH 2018/02/28 APPR: AROBERTSON 2018/03/21
∇ = 0	2 PLACES ±	± 0.13	± 0.01	
∇ = 0	1 PLACE ±	± 0.25	±	DOCUMENT NUMBER: 734031360 DOC TYPE: PSD DOC PART: 000 REVISION: D
∇ = 0	0 PLACES ±	±	±	
∇ = 0	ANGULAR TOL ± °			MATERIAL NUMBER: SEE TABLE CUSTOMER: [] SHEET NUMBER: 3 OF 4
∇ = 0	DRAFT WHERE APPLICABLE MUST REMAIN WITHIN DIMENSIONS	THIRD ANGLE PROJECTION	DRAWING: C-SIZE SERIES: 73403	

molex

FAKRA R/A PCB JACK 2-WAY 12.7MM
EWR-10015

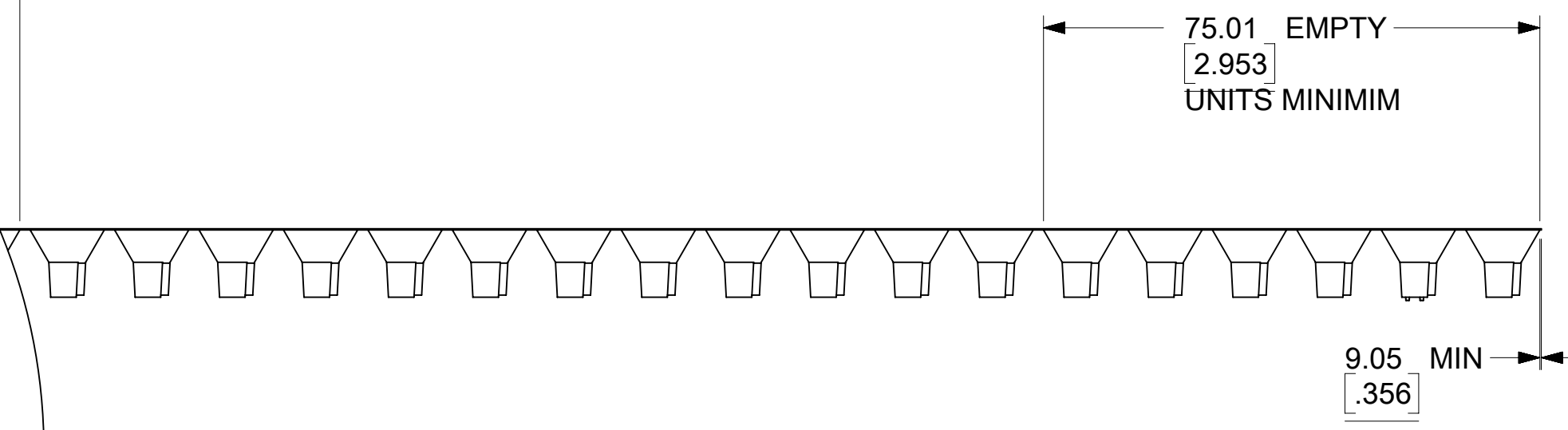
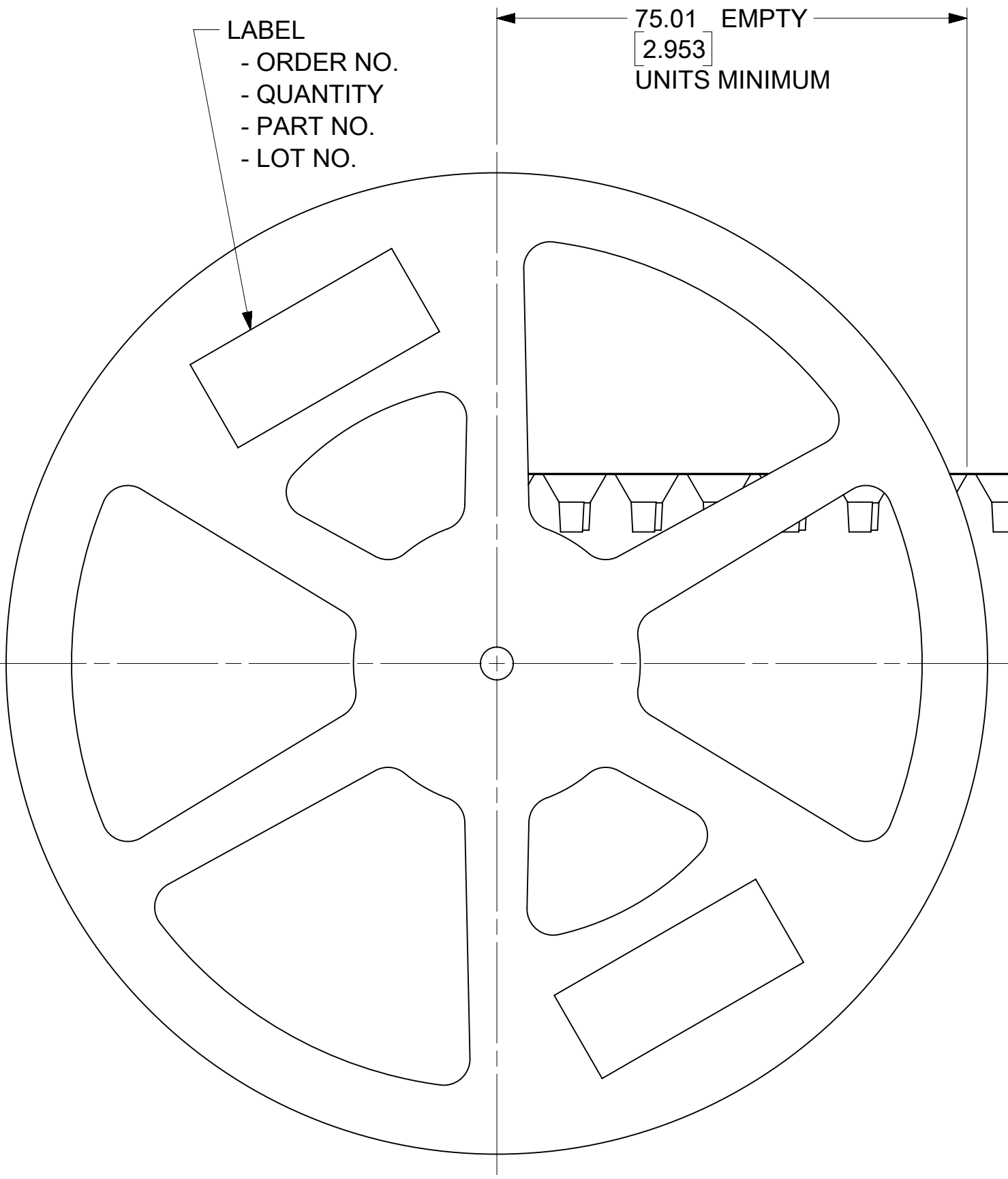
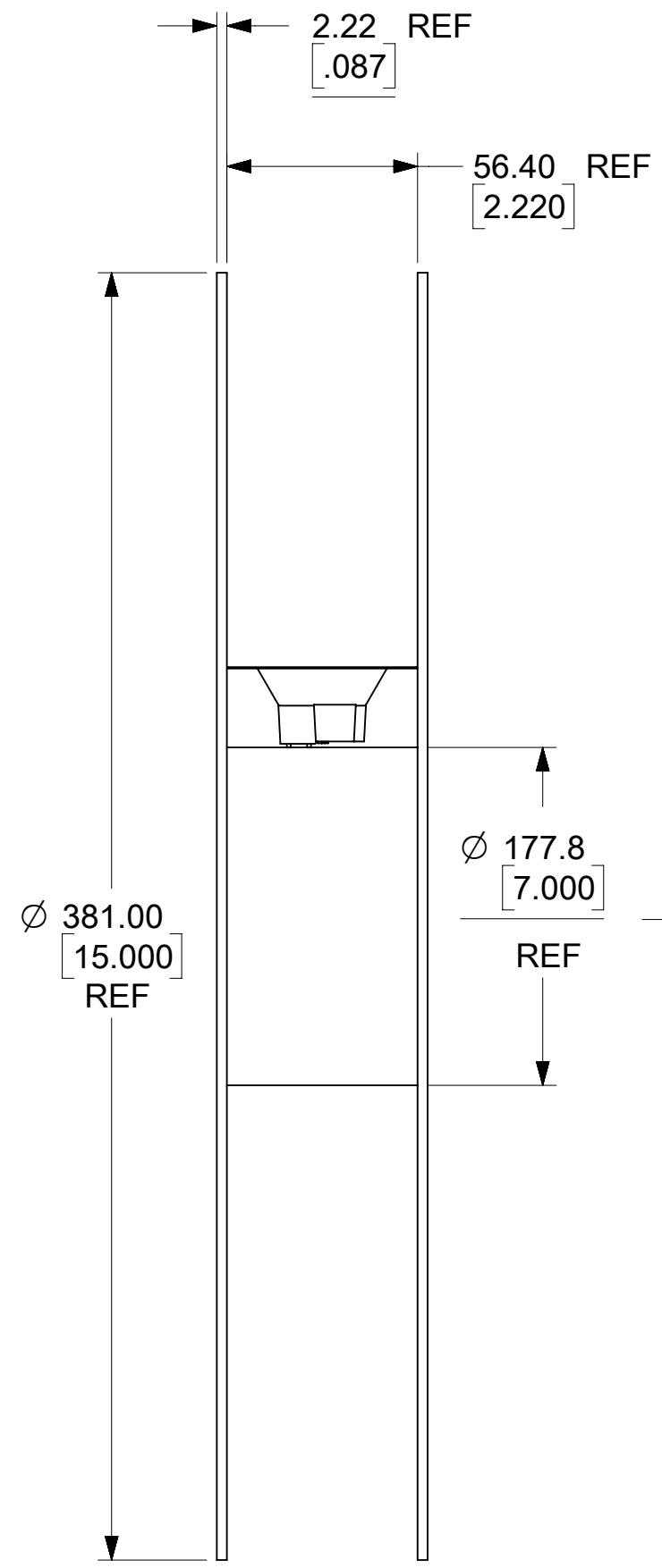
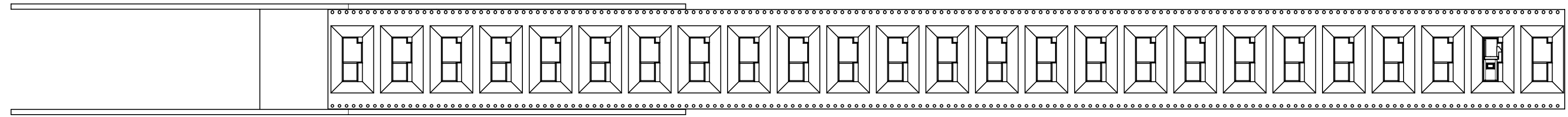
PRODUCT CUSTOMER DRAWING

734031360

PSD 000 D

SEE TABLE

3 OF 4



HANDLING DIRECTION →

- NOTE:**
1. DIMENSIONS ARE PROVIDED FOR REFERENCE ONLY
 2. COMPONENT LOAD PER 15" REEL: 100 PCS

SYMBOLS DIMENSION UNITS SCALE CURRENT REV DESC: EC NO: 626923 DRWN: LMEIER 2019/09/05 CHK'D: AROBERTSON 2019/11/07 APPR: AROBERTSON 2019/11/07 INITIAL REVISION: DRWN: SSSHAH 2018/02/28 APPR: AROBERTSON 2018/03/21 THIRD ANGLE PROJECTION DRAWING SERIES C-SIZE 73403	THIS DRAWING CONTAINS INFORMATION THAT IS PROPRIETARY TO MOLEX ELECTRONIC TECHNOLOGIES, LLC AND SHOULD NOT BE USED WITHOUT WRITTEN PERMISSION					
	GENERAL TOLERANCES (UNLESS SPECIFIED)					FAKRA R/A PCB JACK 2-WAY 12.7MM EWR-10015
	4 PLACES ± 3 PLACES ± 0.005 2 PLACES ± 0.13 ± 0.01 1 PLACE ± 0.25 ± 0 PLACES ± ANGULAR TOL ± °	MM INCH	INCH MM	PRODUCT CUSTOMER DRAWING		
	DRAFT WHERE APPLICABLE MUST REMAIN WITHIN DIMENSIONS		DRAFTING SERIES C-SIZE 73403	DOCUMENT NUMBER 734031360	DOC TYPE PSD	DOC PART 000
DOCUMENT STATUS P1 RELEASE DATE 2019/11/07 22:15:11		MATERIAL NUMBER SEE TABLE		CUSTOMER		SHEET NUMBER 4 OF 4