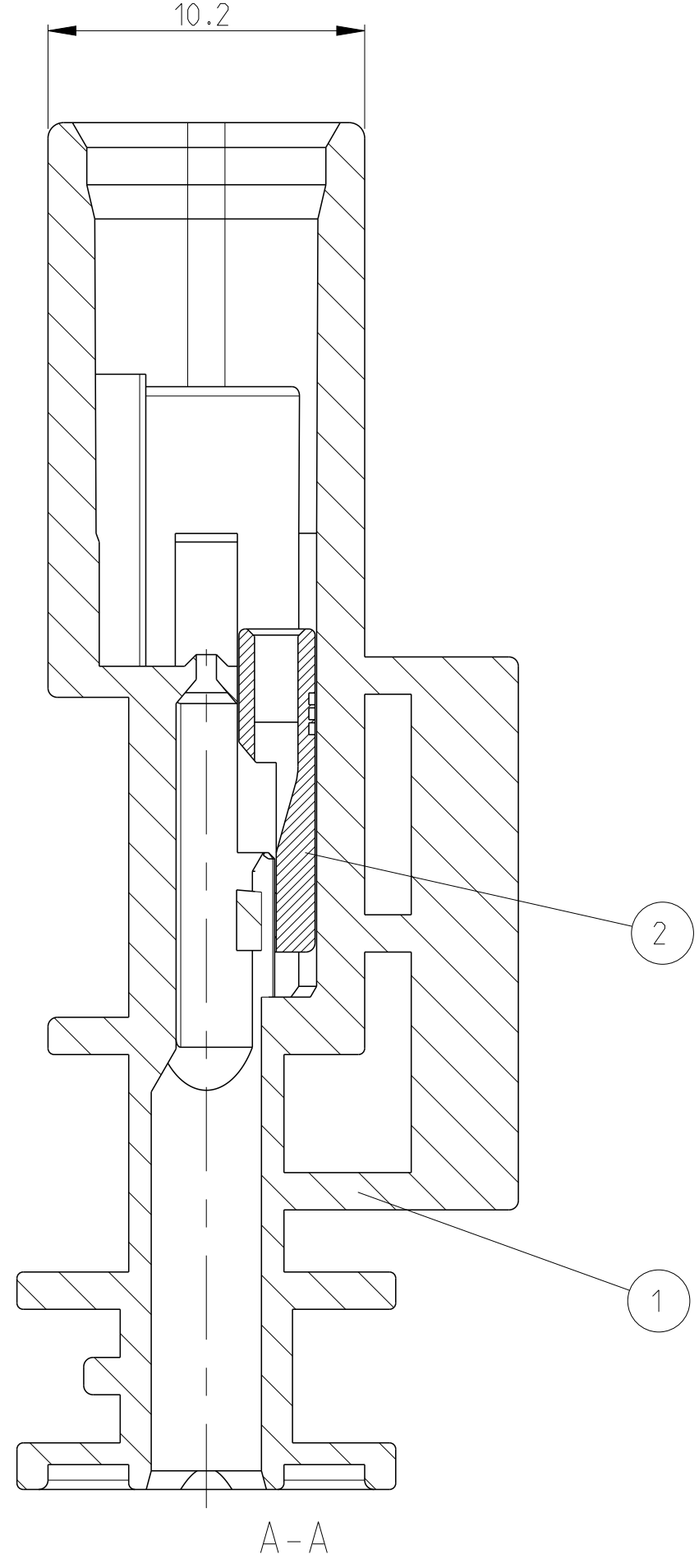
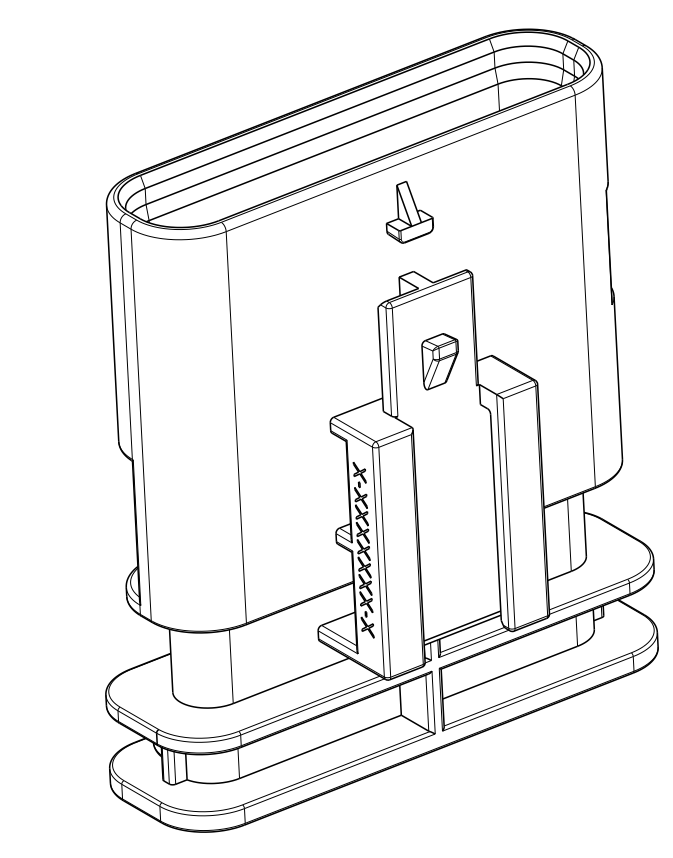
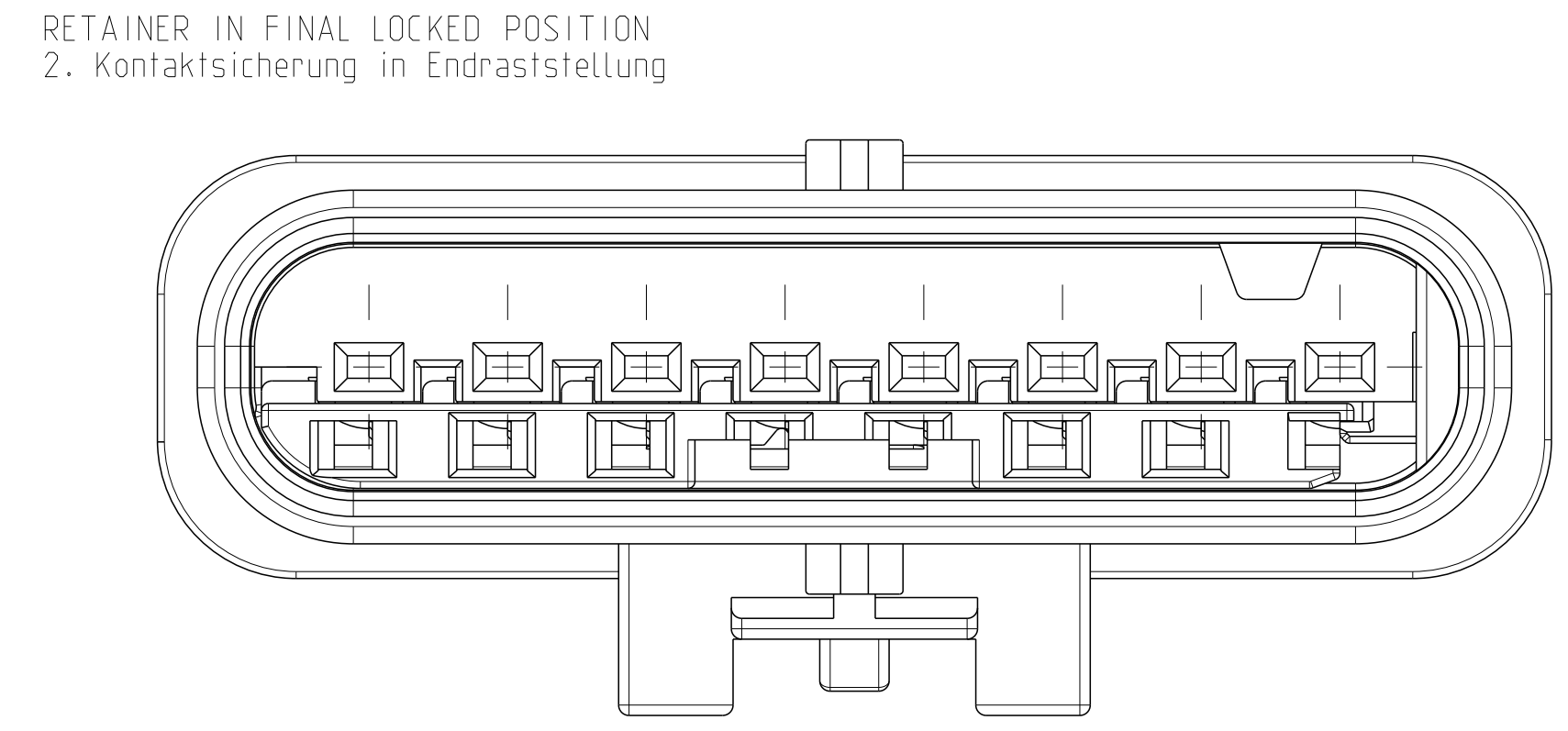
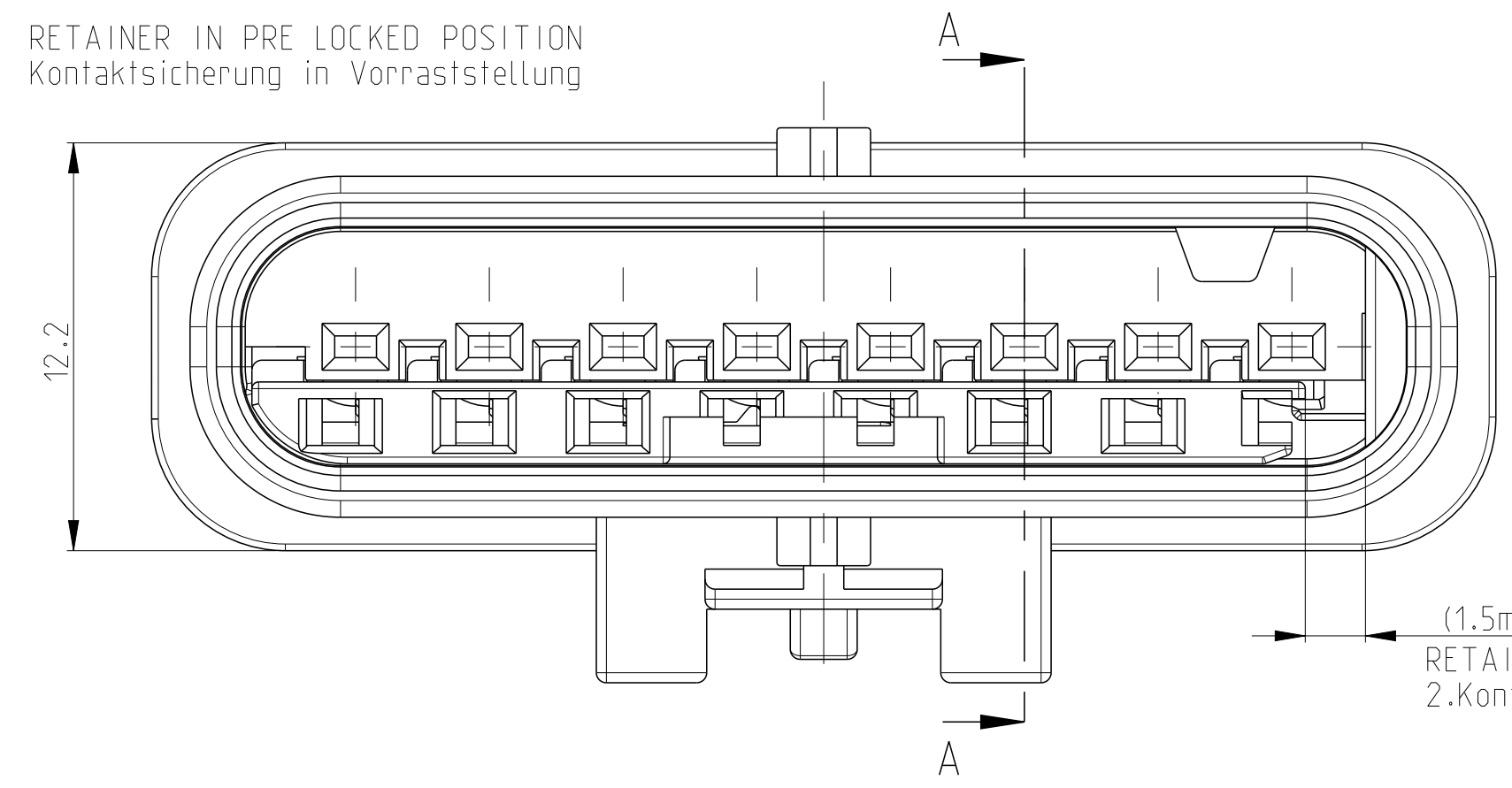
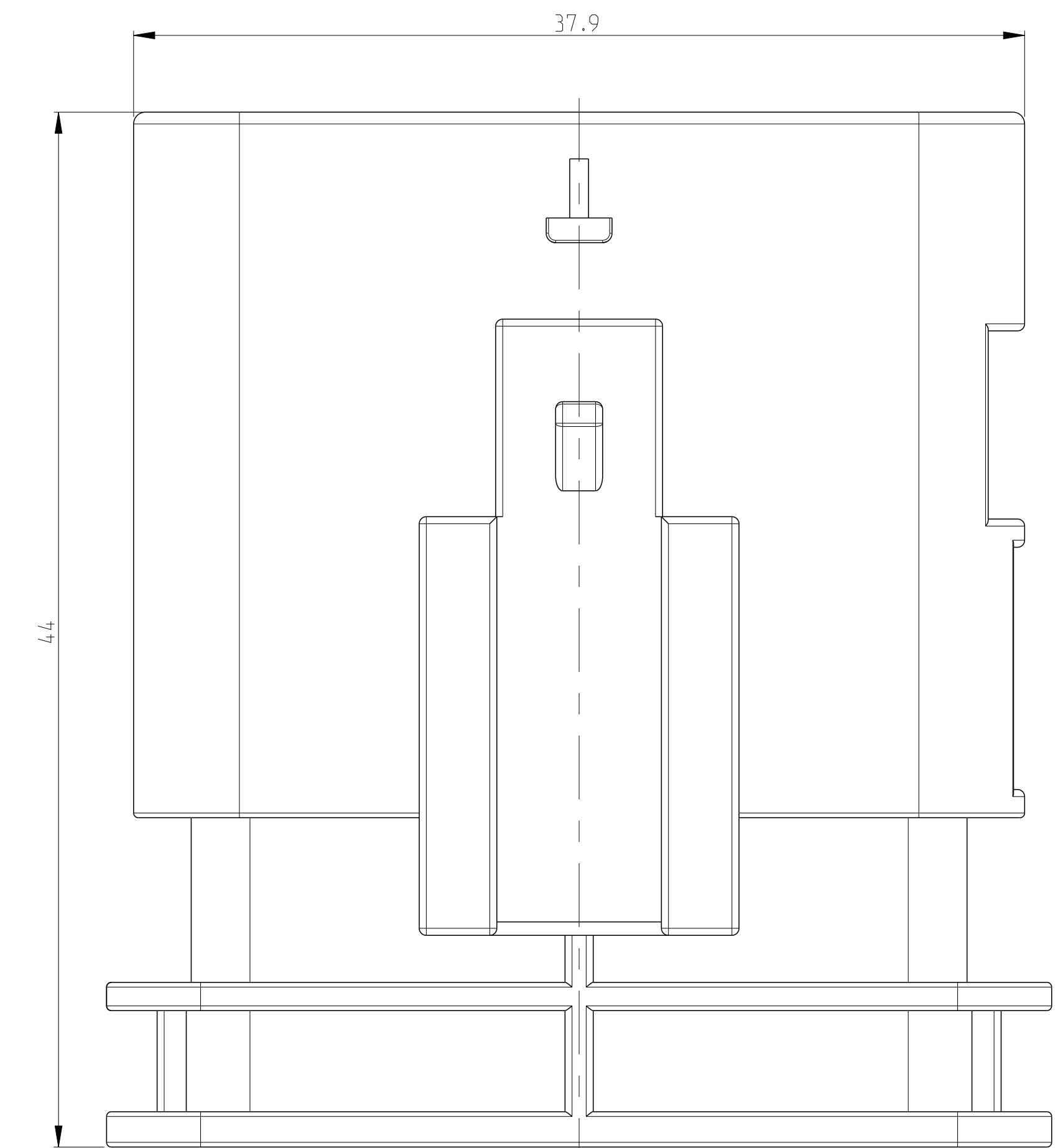
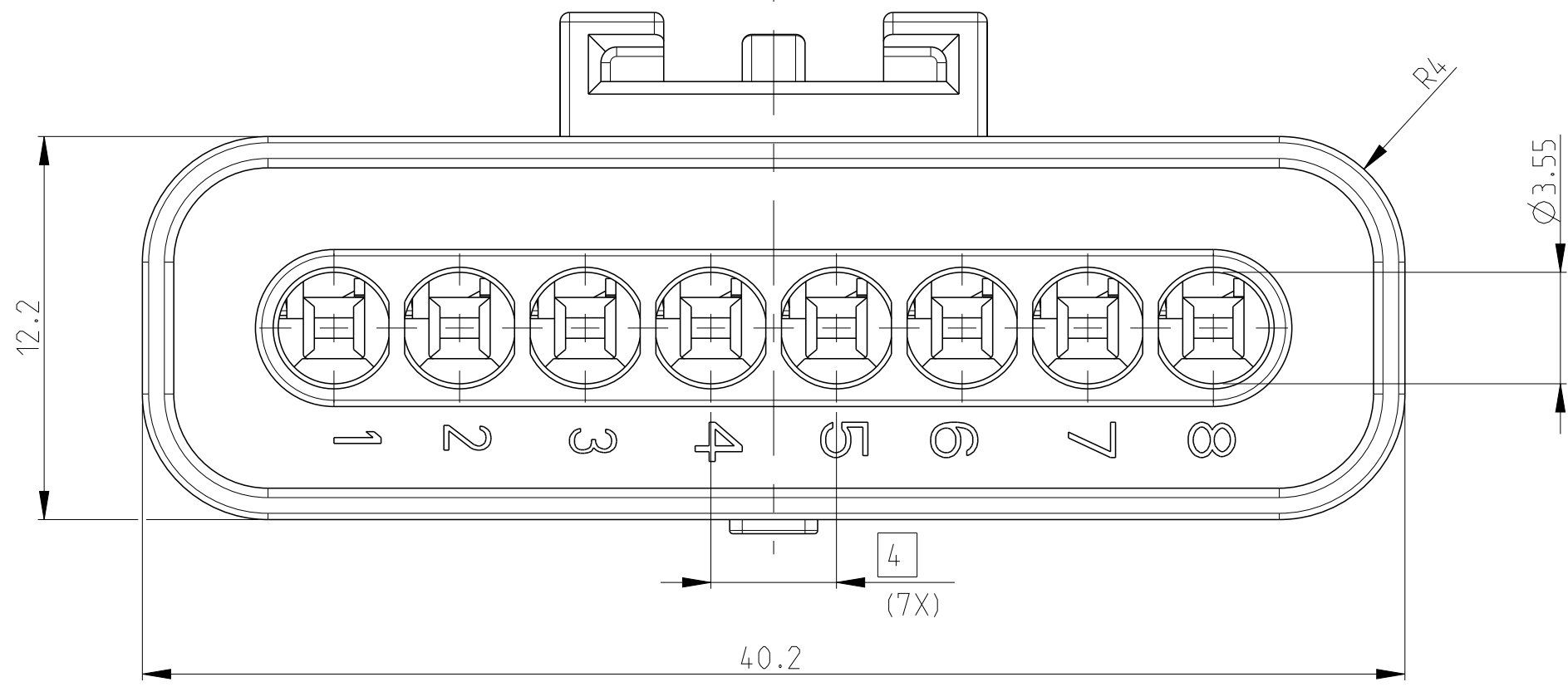
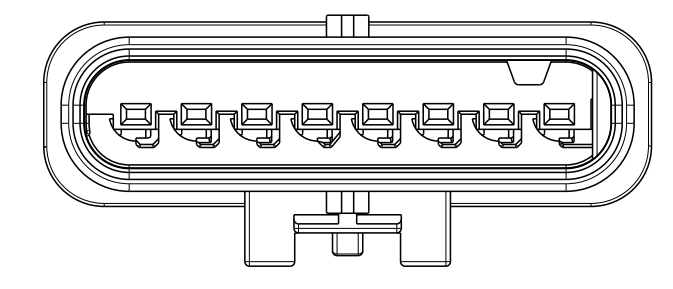


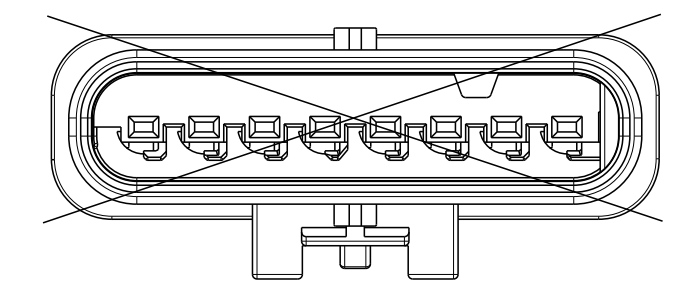
SHOWN 1-1703506-1



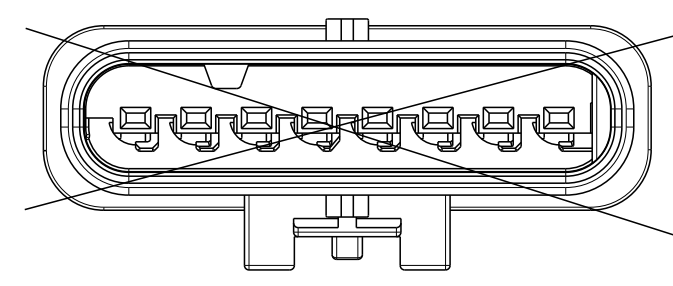
CODINGS 2:1



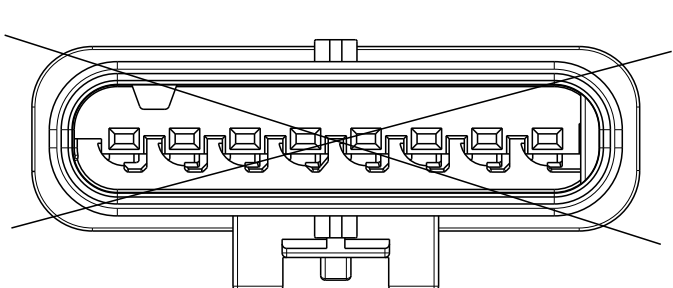
A 1-1703506-1
1-1703506-4



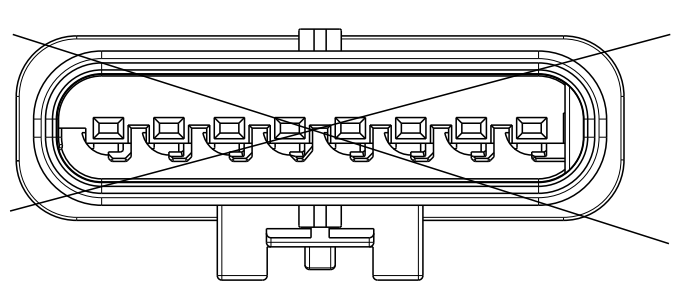
B 2-1703506-1



C 3-1703506-1

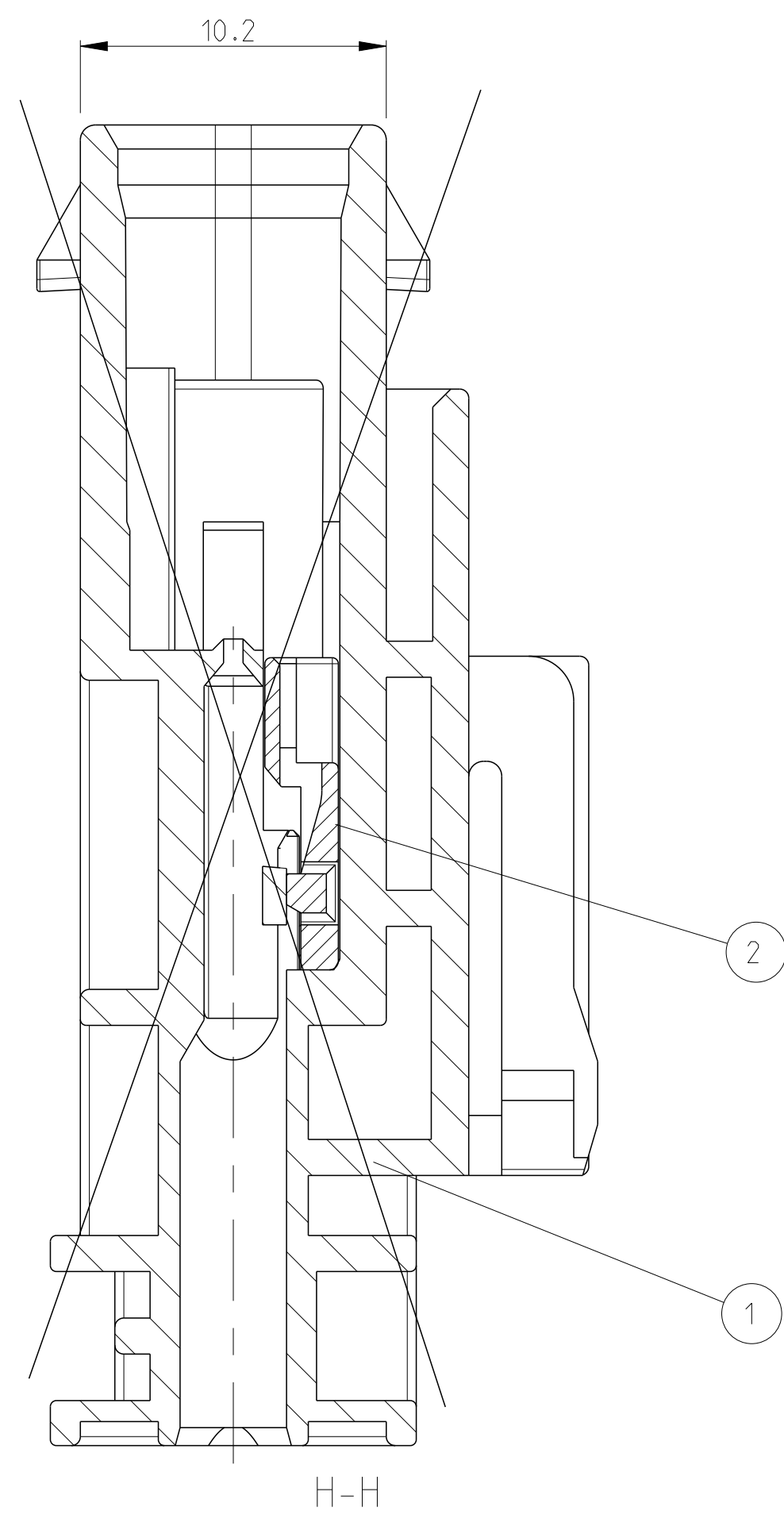
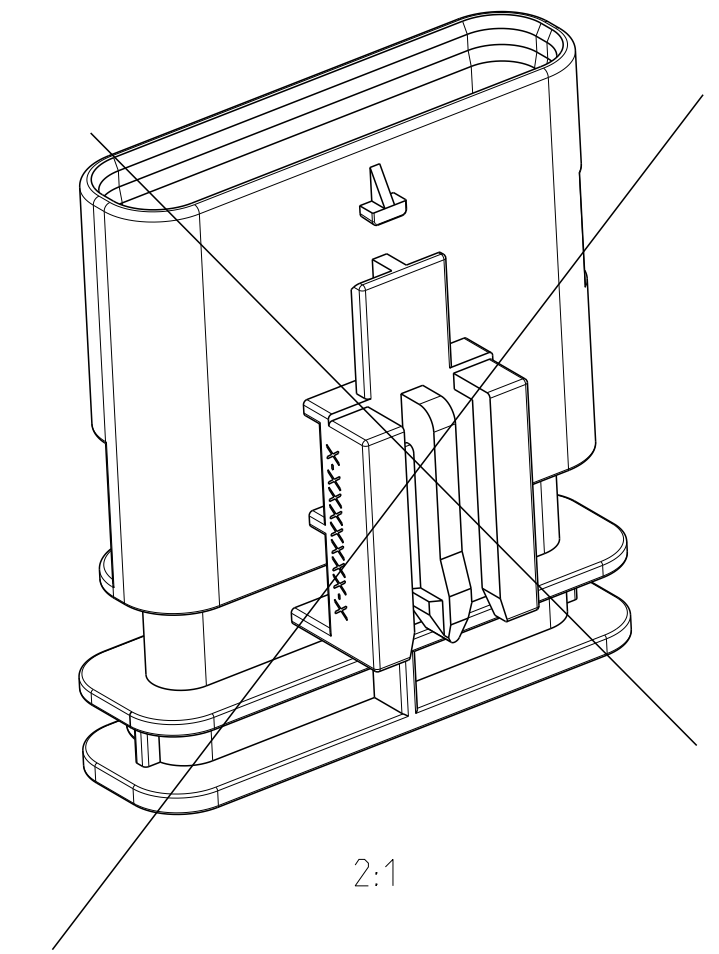
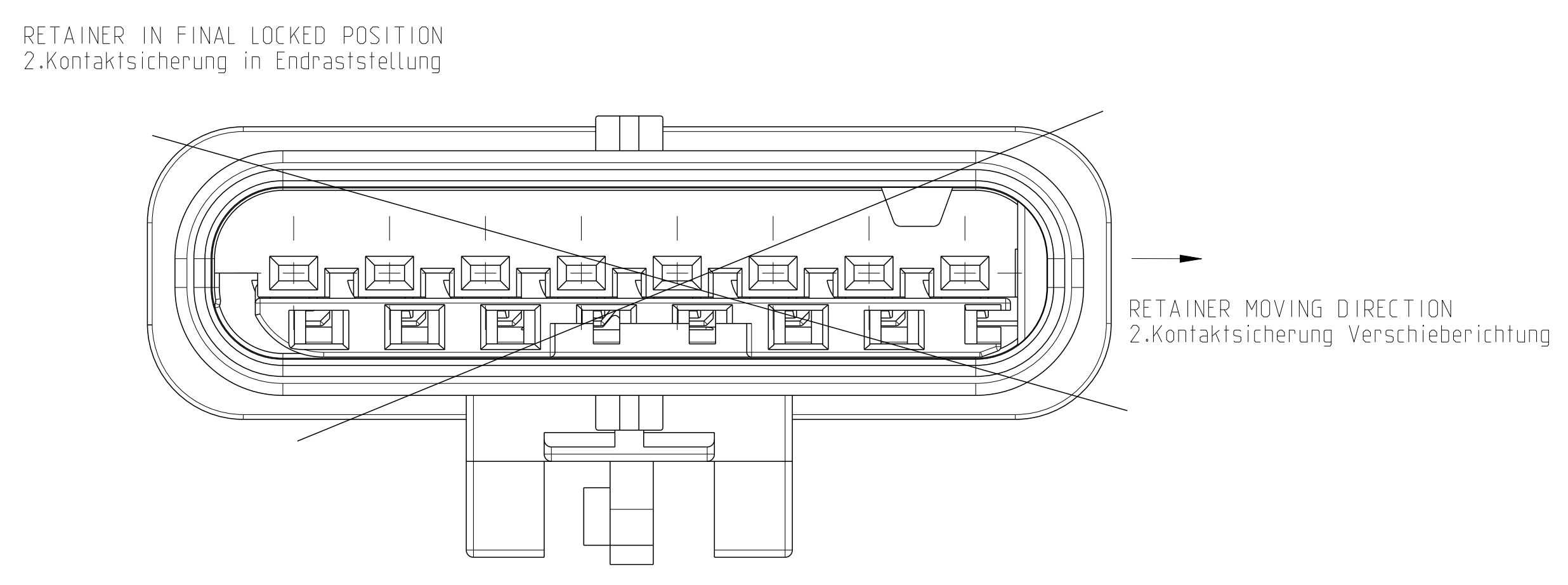
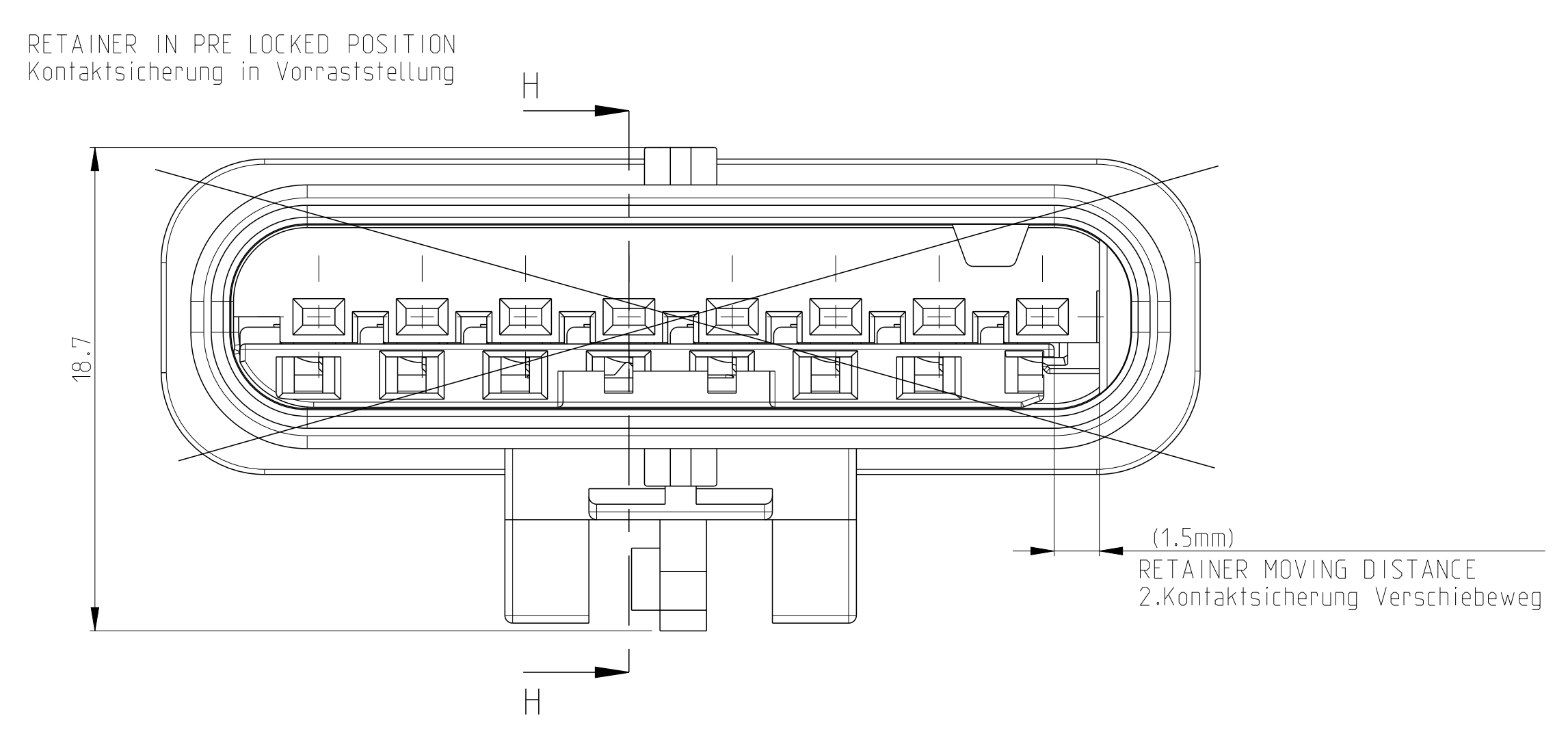
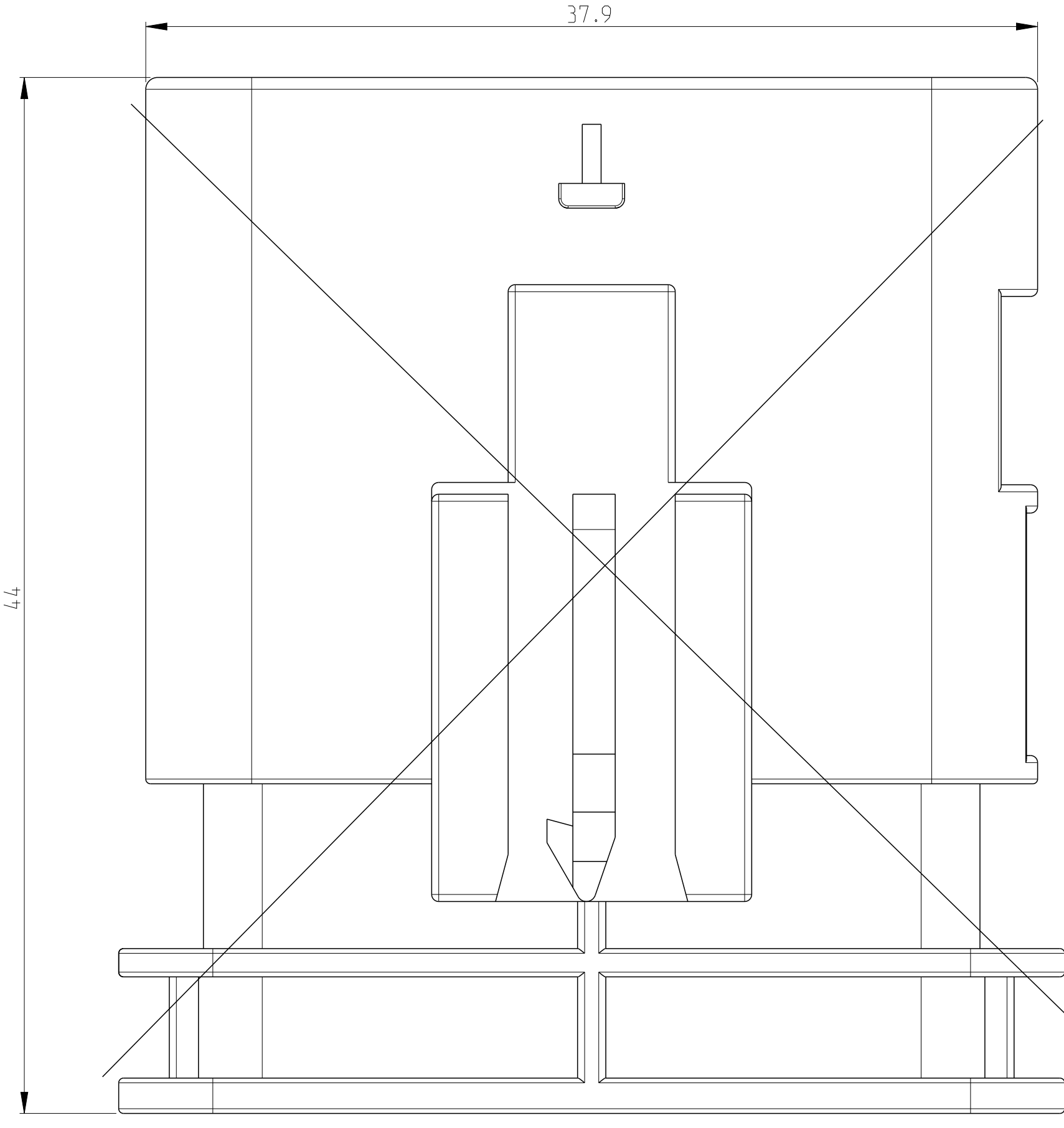
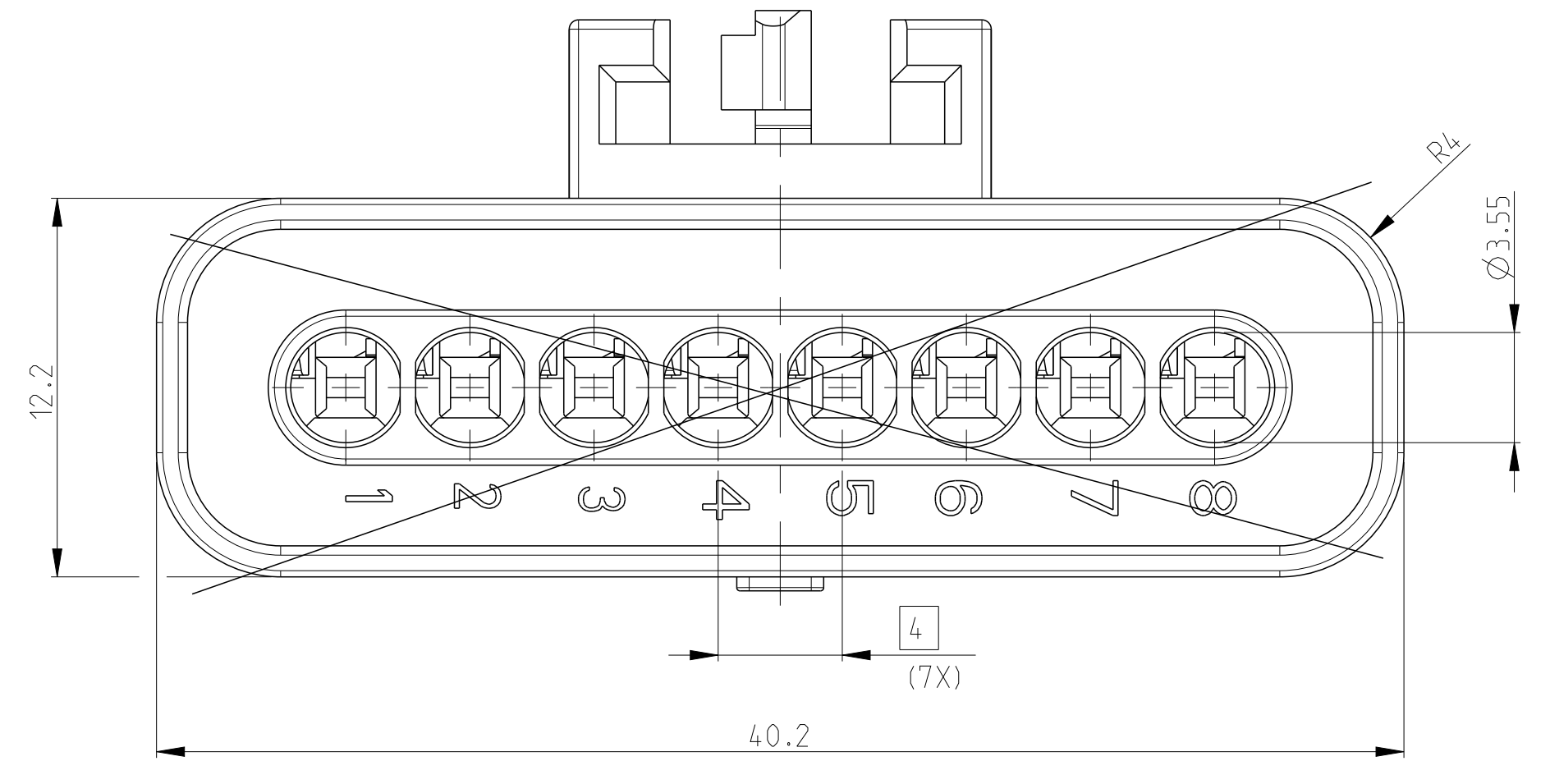


D 4-1703506-1

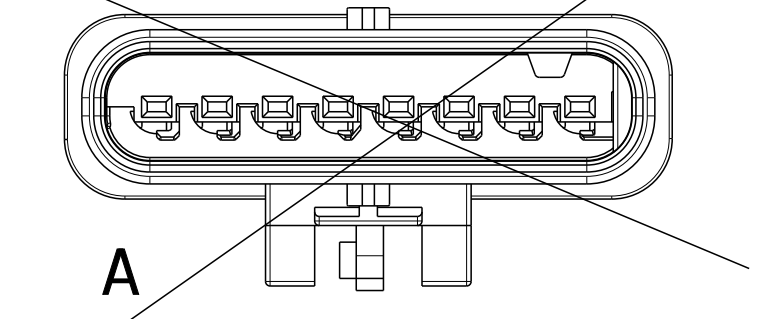


Z 5-1703506-1

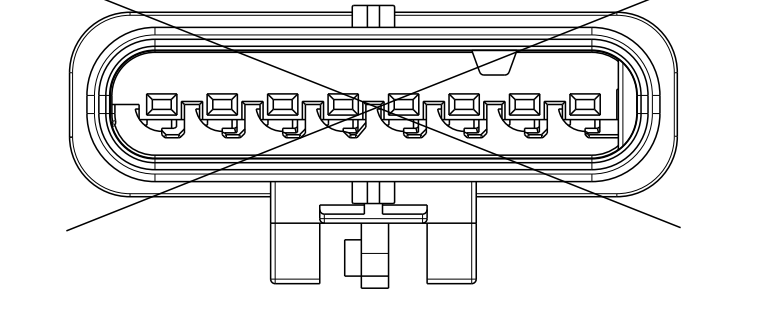
SHOWN 1-1703506-2



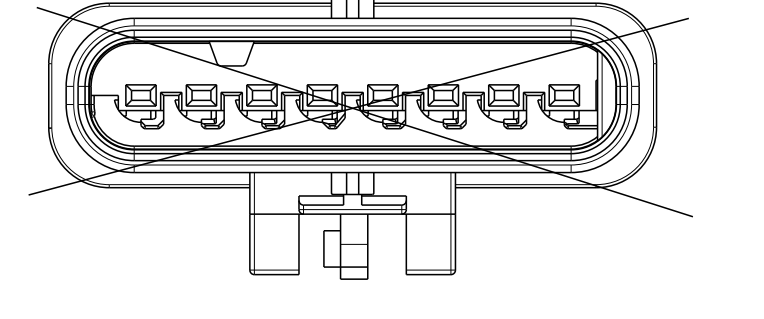
CODINGS 2:1



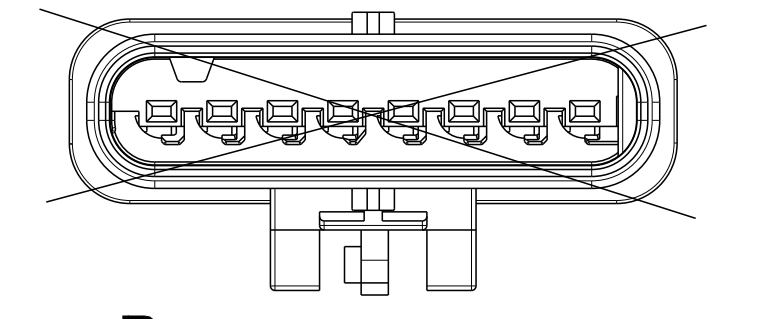
A 1-1703506-2



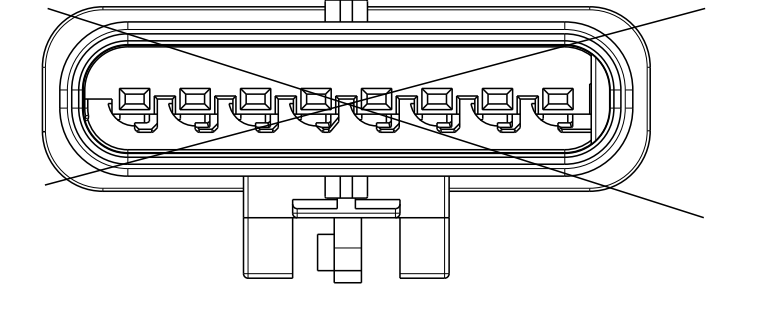
B 2-1703506-2



C 3-1703506-2



D 4-1703506-2



Z 5-1703506-2

TE-PRN	WIRE RANGE	TE-PRN	TE-PRN
TERMINALS	SINGLE WIRE	SEAL/BLIND	PLUG
2141868	0.08 - 0.22mm ²	967067-2	
1718758	0.25 - 0.35mm ²	967067-2	967056-1
1718760	0.5 - 0.75mm ²	967067-1	
1718782	1mm ²	967067-1	

TERMINAL TE-APPLICATION SPEC: 114-1B464

TE- Bestell-Nr. ORDER-NO.	CODE	Benennung TITLE	QTY	Benennung Einzelteil TITLE	Werkstoff MATERIAL	Oberfläche/Farbe SURFACE/COLOR	Pos. ITEM
5-1703506-2	Z	Stiftgehaeuse 8pol. MALE HOUSING 8POS.	1	Kontaktsicherung RETAINER	PA66-GF35	violett/VIOLET	2
			1	Stiftgehaeuse MALE HOUSING	PBT-GF30	schwarz/BLACK	1a
4-1703506-2	D	Stiftgehaeuse 8pol. MALE HOUSING 8POS.	1	Kontaktsicherung RETAINER	PA66-GF35	violett/VIOLET	2
			1	Stiftgehaeuse MALE HOUSING	PBT-GF30	schwarz/BLACK	1d
3-1703506-2	C	Stiftgehaeuse 8pol. MALE HOUSING 8POS.	1	Kontaktsicherung RETAINER	PA66-GF35	violett/VIOLET	2
			1	Stiftgehaeuse MALE HOUSING	PBT-GF30	schwarz/BLACK	1c
2-1703506-2	B	Stiftgehaeuse 8pol. MALE HOUSING 8POS.	1	Kontaktsicherung RETAINER	PA66-GF35	violett/VIOLET	2
			1	Stiftgehaeuse MALE HOUSING	PBT-GF30	grau/GRY	1b
1-1703506-2	A	Stiftgehaeuse 8pol. MALE HOUSING 8POS.	1	Kontaktsicherung RETAINER	PA66-GF35	violett/VIOLET	2
			1	Stiftgehaeuse MALE HOUSING	PBT-GF30	schwarz/BLACK	1a

1-1703506-4	A	Stiftgehaeuse 8pol. MALE HOUSING 8POS.	1	Kontaktsicherung RETAINER	PA66-GF35	violett/VIOLET	2
			1	Stiftgehaeuse MALE HOUSING	PBT-GF30	gelb/YELLOW	1a
5-1703506-1	Z	Stiftgehaeuse 8pol. MALE HOUSING 8POS.	1	Kontaktsicherung RETAINER	PA66-GF35	violett/VIOLET	2
			1	Stiftgehaeuse MALE HOUSING	PBT-GF30	schwarz/BLACK	1z
4-1703506-1	D	Stiftgehaeuse 8pol. MALE HOUSING 8POS.	1	Kontaktsicherung RETAINER	PA66-GF35	violett/VIOLET	2
			1	Stiftgehaeuse MALE HOUSING	PBT-GF30	schwarz/BLACK	1d
3-1703506-1	C	Stiftgehaeuse 8pol. MALE HOUSING 8POS.	1	Kontaktsicherung RETAINER	PA66-GF35	violett/VIOLET	2
			1	Stiftgehaeuse MALE HOUSING	PBT-GF30	schwarz/BLACK	1c
2-1703506-1	B	Stiftgehaeuse 8pol. MALE HOUSING 8POS.	1	Kontaktsicherung RETAINER	PA66-GF35	violett/VIOLET	2
			1	Stiftgehaeuse MALE HOUSING	PBT-GF30	grau/GRY	1b
1-1703506-1	A	Stiftgehaeuse 8pol. MALE HOUSING 8POS.	1	Kontaktsicherung RETAINER	PA66-GF35	violett/VIOLET	2
			1	Stiftgehaeuse MALE HOUSING	PBT-GF30	schwarz/BLACK	1a

DIMENSIONS:		MATERIAL:		FINISH:		APPROVALS:		REVISIONS:	
0	PLC	0	PLC	0	PLC	0	PLC	0	PLC
1	PLC	1	PLC	1	PLC	1	PLC	1	PLC
2	PLC	2	PLC	2	PLC	2	PLC	2	PLC
3	PLC	3	PLC	3	PLC	3	PLC	3	PLC
4	PLC	4	PLC	4	PLC	4	PLC	4	PLC
5	PLC	5	PLC	5	PLC	5	PLC	5	PLC
6	PLC	6	PLC	6	PLC	6	PLC	6	PLC
7	PLC	7	PLC	7	PLC	7	PLC	7	PLC
8	PLC	8	PLC	8	PLC	8	PLC	8	PLC
9	PLC	9	PLC	9	PLC	9	PLC	9	PLC
10	PLC	10	PLC	10	PLC	10	PLC	10	PLC

Customer Drawing

DATE: 08022012
BY: LOECSER
CHECKED: 08022012
APPROVED: RIPPNER

NAME: ASSY MALE HOUSING, 8Pos.
MCON 1.2 SEALED

SCALE: 5:1

Customer Drawing