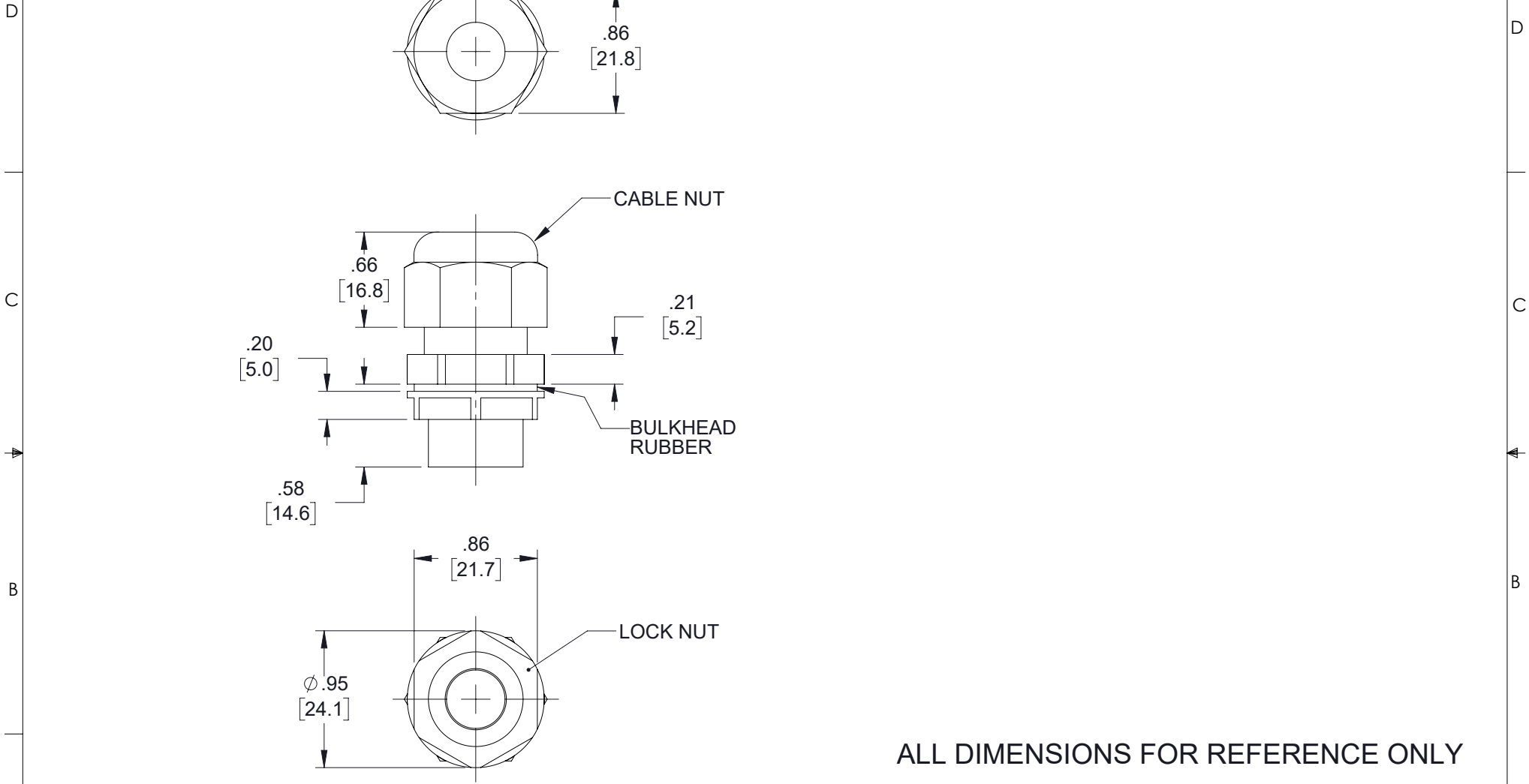

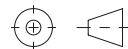


THE INFORMATION CONTAINED IN THIS DRAWING IS THE SOLE PROPERTY OF L-COM, INC. ANY REPRODUCTION IN PART OR WHOLE WITHOUT THE WRITTEN PERMISSION OF L-COM, INC. IS PROHIBITED.

REVISIONS			
REV	DESCRIPTION	DATE	APPROVED
A	INITIAL RELEASE	11/04/19	MMARTINEZ
B	ECN 10369: ADDED "ALL DIMENSIONS FOR REFERENCE ONLY"	02/14/20	MMARTINEZ



ALL DIMENSIONS FOR REFERENCE ONLY

UNLESS OTHERWISE SPECIFIED, DIMENSIONS ARE IN INCHES [mm] OVERALL CABLE LENGTH TOLERANCE: ≤12 [305] = +1 [25] / -0 >12 [305] ≤60 [1524] = +2 [51] / -0 >60 [1524] ≤120 [3048] = +4 [102] / -0 >120 [3048] ≤300 [7620] = +6 [152] / -0 >300 [7620] = +5% / -0 ALL OTHER DIMENSIONAL TOLERANCES: .X = ± .2 [5] FRACTIONS ± 1/32 .XX = ± .02 [5] ANGLES ± 1° .XXX = ± .005 [13]	APPROVALS DRAWN BY DZINN	DATE 11/04/19	 an INFINIT [®] brand 50 High Street, West Mill, North Andover, MA 01845 USA. Phone: 1.800.341.5266 1.978.682.6936
	CHECKED BY DFRISIELLO	DATE 11/07/19	
THIRD-ANGLE PROJECTION 	APPROVED BY MMARTINEZ	DATE 11/07/19	PRODUCT DESCRIPTION NPT Cord Grip w/ Lock Nut (.197-.394)
COLOR VARIATIONS MAY OCCUR	SIZE A	CAGE CODE 43321	DWG. NO. NB-CG0.66
SCALE: NONE	CAD FILE: NB-CG0.66.SLDDRW	SHEET 1 OF 1	REV. B