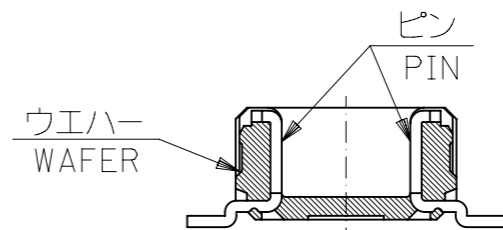
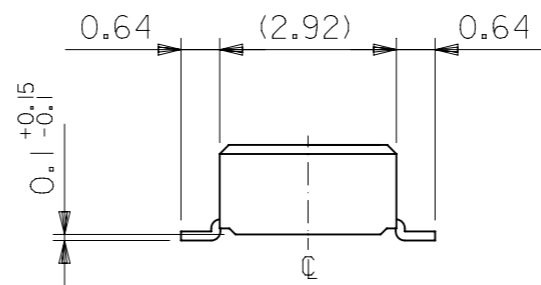
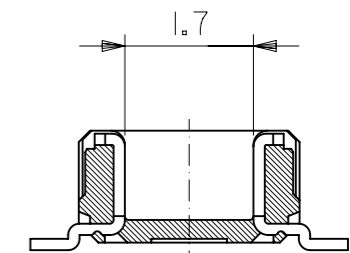


参考基板レイアウト (マウント面)
P.C.BOARD PATTERN DIMENSION (REF.)
(MOUNTING AREA)



SECT.W-W (LOCK PART)



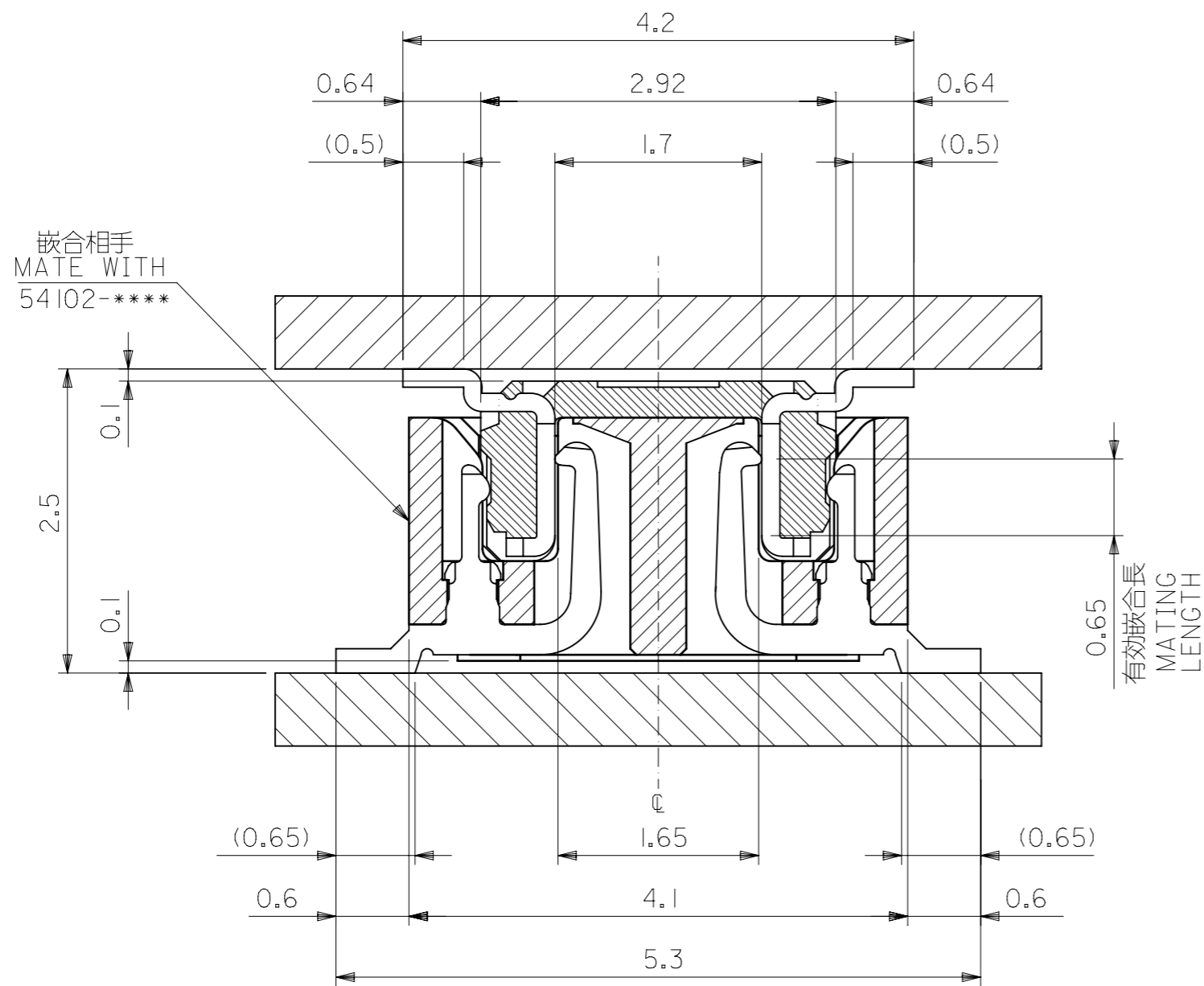
SECT.V-V (W/O LOCK PART)

GENERAL TOLERANCES (UNLESS SPECIFIED)	
10 UNDER	± 0.2
10 OVER 30 UNDER	± 0.25
30 OVER	± 0.3
ANGULAR	± 3°
DRAFT WHERE APPLICABLE MUST REMAIN WITHIN DIMENSIONS	

NONE	20.55	19.5	21.45	500334-0800	80
ALL	4.55	3.5	5.45	500334-0160	16
LOCK POSITION	C	B	A	EMBOSSED TAPE PACKAGE	CIRCUIT
				ORDER No.	

THIS DRAWING CONTAINS INFORMATION THAT IS PROPRIETARY TO MOLEX ELECTRONIC TECHNOLOGIES, LLC AND SHOULD NOT BE USED WITHOUT WRITTEN PERMISSION

DIMENSION UNITS	SCALE	CURRENT REV DESC:						
mm	NTS	molex 0.5 B-TO-B CONN PLUG (HGT=2.5) (SHEET 1 OF 2) PRODUCT CUSTOMER DRAWING						
GENERAL TOLERANCES (UNLESS SPECIFIED)								
4 PLACES	± 0.2							
3 PLACES	± 0.25							
2 PLACES	± 0.3							
1 PLACE	±	EC NO: 624787	DRWN: VLOKESHA	2019/05/22	DOCUMENT NUMBER	DOC TYPE	DOC PART	REVISION
0 PLACES	±	CHK'D: GGA	2019/11/11	SD-500334-001				
ANGULAR TOL ± 3.0		APPR: GGA	2019/11/11	INITIAL REVISION:	MATERIAL NUMBER			
DRAFT WHERE APPLICABLE MUST REMAIN WITHIN DIMENSIONS		DRWN: GMATSUNO	2012/08/10	APPR:	CUSTOMER		SHEET NUMBER	
THIRD ANGLE PROJECTION		DRAWING	SERIES	MATERIAL NUMBER	CUSTOMER		SHEET NUMBER	
A3-SIZE		500334	SEE CHART	GENERAL MARKET	1 OF 2			



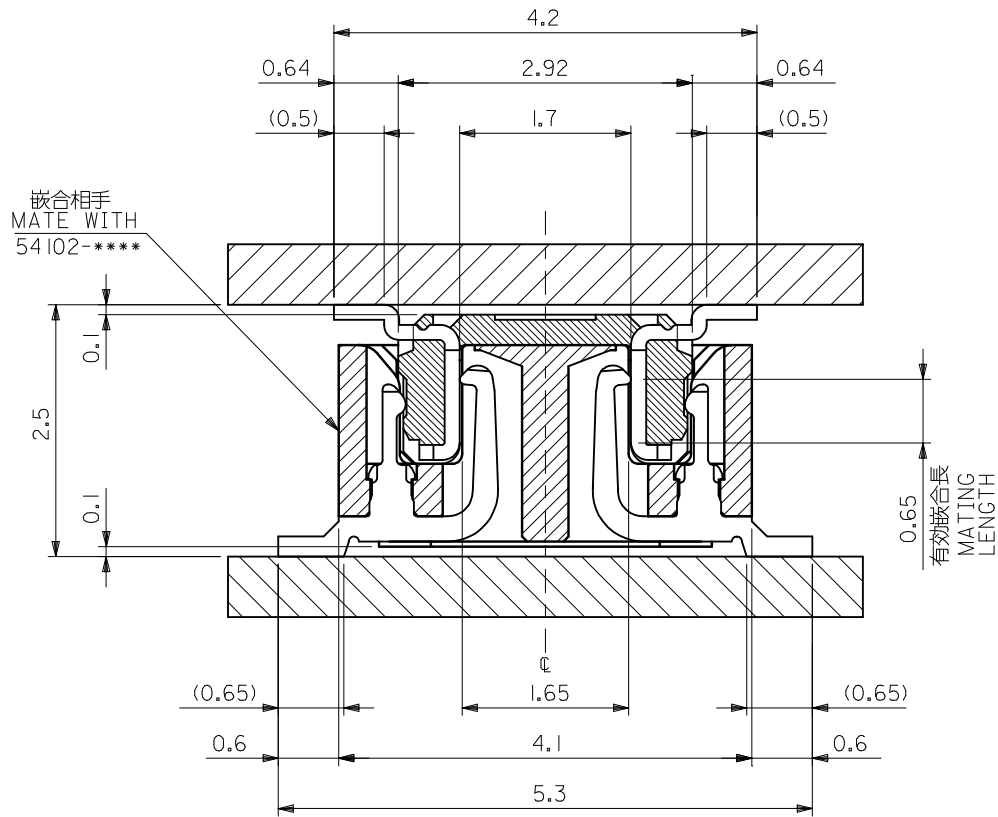
嵌合断面図 (参考)
MATED DRAWING (REF.)

注記 NOTES:

1. 使用材料 MATERIAL
ハウジング: 液晶ポリマー (LCP), ガラス充填, UL 94V-0, 色: 黒
HOUSING: LIQUID CRYSTAL POLYMER (LCP), GLASS FILLED
UL 94V-0, COLOR: BLACK
ターミナル: 黄銅 (t=0.15)
TERMINAL: BRASS (t=0.15)
2. メッキ仕様 PLATING
金メッキ 0.25マイクロメートル以上 (コンタクト部)
GOLD (Au) 0.25 MICROMETER MINIMUM (CONTACT AREA)
金メッキ (テール部)
GOLD PLATING (SOLDER TAIL AREA)
下地メッキ: ニッケルメッキ 1.5マイクロメートル以上
UNDER PLATING: NICKEL 1.5 MICROMETER MINIMUM
3. (全極数/2) = 偶数の場合に適用。
APPLY FOR (CIRCUIT/2) = EVEN.
4. 嵌合相手: 54102シリーズ
MATE WITH: 54102 SERIES.
5. テール平坦度は 0.1以下。
TAIL COPLANARITY TO BE 0.1 MAXIMUM.

CONNECTOR SERIES No. 500334-****8

THIS DRAWING CONTAINS INFORMATION THAT IS PROPRIETARY TO MOLEX ELECTRONIC TECHNOLOGIES, LLC AND SHOULD NOT BE USED WITHOUT WRITTEN PERMISSION		CURRENT REV DESC:		molex	
DIMENSION UNITS	SCALE	EC NO: 624787			
mm	NTS	DRWN: VLOKESHA 2019/05/22		PRODUCT CUSTOMER DRAWING	
GENERAL TOLERANCES (UNLESS SPECIFIED)		CHK'D: GGA 2019/11/11			
		APPR: GGA 2019/11/11		DOCUMENT NUMBER	
4 PLACES ± 0.2		INITIAL REVISION:		SD-500334-001	
3 PLACES ± 0.25		DRWN: GMATSUNO 2012/08/10		DOC TYPE	
2 PLACES ± 0.3		APPR:		PSD	
1 PLACE ±				DOC PART	
0 PLACES ±				001	
ANGULAR TOL ± 3.0°				REVISION	
DRAFT WHERE APPLICABLE MUST REMAIN WITHIN DIMENSIONS		THIRD ANGLE PROJECTION	DRAWING	SERIES	MATERIAL NUMBER
			A3-SIZE	500334	CUSTOMER
					GENERAL MARKET
					SHEET NUMBER
					2 OF 2



嵌合断面図 (参考)
MATED DRAWING (REF.)

注記 NOTES:

1. 使用材料 MATERIAL
ハウジング: 液晶ポリマー (LCP), ガラス充填, UL94V-0, 色: 黒
HOUSING: LIQUID CRYSTAL POLYMER(LCP), GLASS FILLED UL94V-0, COLOR: BLACK
ターミナル: 黄銅 (t=0.15)
TERMINAL: BRASS (t=0.15)
2. メッキ仕様 PLATING
金メッキ 0.25マイクロメートル以上 (コンタクト部)
GOLD(AU) 0.25 MICROMETER MINIMUM (CONTACT AREA)
金メッキ (テール部)
GOLD PLATING (SOLDER TAIL AREA)
下地メッキ: ニッケルメッキ 1.5マイクロメートル以上
UNDER PLATING: NICKEL 1.5 MICROMETER MINIMUM
- △ (全極数/2) = 偶数の場合に適用。
APPLY FOR (CIRCUIT/2)=EVEN.
4. 嵌合相手: 54102シリーズ
MATE WITH: 54102 SERIES.
5. テール平坦度は 0.1以下。
TAIL COPLANARITY TO BE 0.1 MAXIMUM.

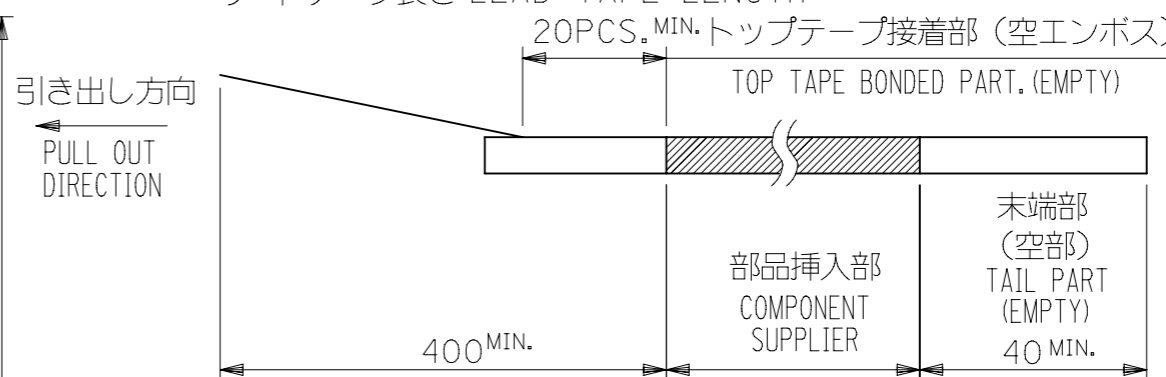
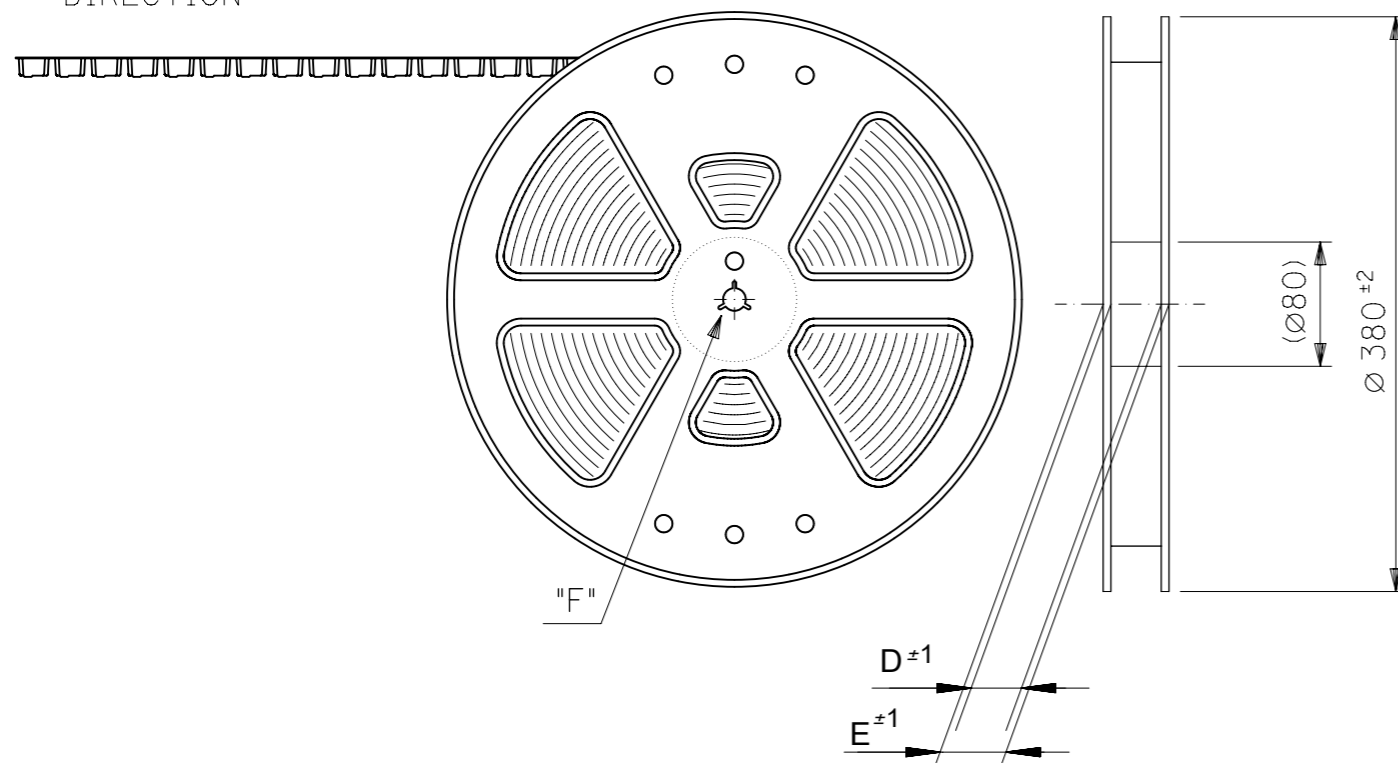
CONNECTOR SERIES No. 500334-***8

REVISED EC NO: J2013-1267 DRWN: TARA101 CHKD: TASAKAWA APPR: MSASAO 2013/05/07 2013/05/08 2013/05/10	GENERAL TOLERANCES (UNLESS SPECIFIED)		DIMENSION STYLE	SCALE	DESIGN UNITS	THIRD ANGLE PROJECTION
			MM ONLY	---	METRIC	
	10 UNDER	±0.2	DRAWN BY	DATE	TITLE	
	10 OVER 30 UNDER	±0.25	GMATSNO	2012/08/10	0.5 B-TO-B CONN PLUG (HGT=2.5) (SHEET 2 OF 2)	
30 OVER	±0.3	CHECKED BY	DATE			
		TASAKAWA	2012/08/10			
		APPROVED BY	DATE			
	ANGULAR ±3 °	MATERIAL NO.	DOCUMENT NO.	SHEET NO.		
	DRAFT WHERE APPLICABLE MUST REMAIN WITHIN DIMENSIONS	SEE CHART	SD-500334-001	2 OF 2		
		SIZE A3	THIS DRAWING CONTAINS INFORMATION THAT IS PROPRIETARY TO MOLEX INCORPORATED AND SHOULD NOT BE USED WITHOUT WRITTEN PERMISSION			

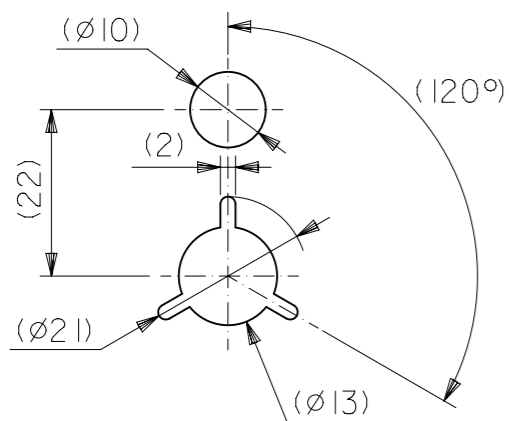
NOTES

- 製品詳細寸法については図面 SD-500334-001 を参照下さい。
RE DETAILED DIMENSION, SEE SD-500334-001
- 梱包数量：3000個/リール
NUMBER OF CONNECTORS : 3000PCS/REEL
- リードテープ長さ LEAD TAPE LENGTH

引き出し方向
PULL OUT
DIRECTION



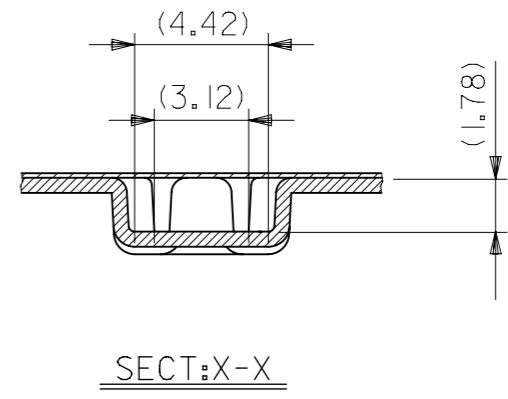
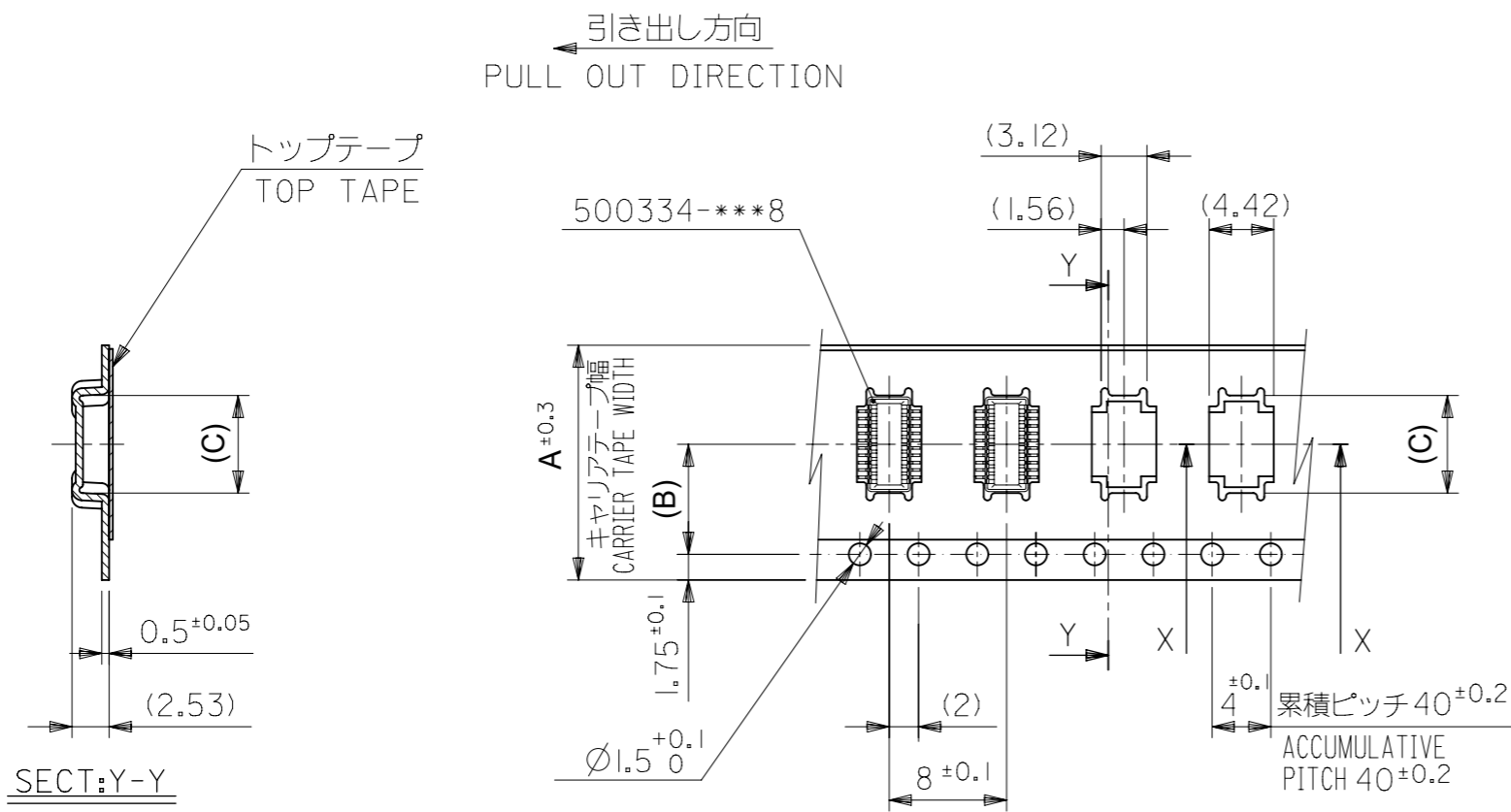
- カバーテープの剥離強度については、IEC60286-3に準拠
COVER TAPE PEEL FORCE IS DEFINED BY IEC60286-3.
- 材料 MATERIAL
キャリアテープ：ポリプロピレン (PP)
CARRIER TAPE : POLYPROPYLENE (PP)
トップテープ：ポリエステル(PET),ポリエチレン(PE),ポリエチレンフォーム(PEF)
TOP TAPE : POLYESTER (PET)、POLYETHYLENE (PE)、POLYETHYLENEFOAM (PEF)
リール：ポリスチレン (PS) <リサイクル材を含む>
REEL : POLYSTYRENE (PS) <RECYCLE MATERIAL CONTAINED>



DETAIL "F"

GENERAL TOLERANCES (UNLESS SPECIFIED)	
10 UNDER	± 0.2
10 OVER 30 UNDER	± 0.25
30 OVER	± 0.3
ANGULAR	± 3 °
DRAFT WHERE APPLICABLE MUST REMAIN WITHIN DIMENSIONS	

THIS DRAWING CONTAINS INFORMATION THAT IS PROPRIETARY TO MOLEX ELECTRONIC TECHNOLOGIES, LLC AND SHOULD NOT BE USED WITHOUT WRITTEN PERMISSION		CURRENT REV DESC:		molex	
DIMENSION UNITS	SCALE	EC NO: 624787			
mm	NTS	DRWN: VLOKESHA 2019/05/22		EMBSTP PKG FOR 0.5 B/B PLUG ASSY (HGT=2.5) -LEAD FREE-	
GENERAL TOLERANCES (UNLESS SPECIFIED)		CHK'D: GGA 2019/11/11		PRODUCT CUSTOMER DRAWING	
4 PLACES	± 0.2	APPR: GGA 2019/11/11		DOCUMENT NUMBER	
3 PLACES	± 0.25	INITIAL REVISION:		SD-500334-002	
2 PLACES	± 0.3	DRWN: N.YOSHIKAWA 2009/03/19		DOC TYPE	
1 PLACE	±	APPR: N.UKITA 2013/05/10		PSD	
0 PLACES	±	THIRD ANGLE PROJECTION		DOC PART	
ANGULAR TOL	± 3.0 °	DRAWING		001	
DRAFT WHERE APPLICABLE MUST REMAIN WITHIN DIMENSIONS		SERIES		REVISION	
		A3-SIZE		C1	
		500334		SHEET NUMBER	
		SEE CHART		1 OF 3	
		GENERAL MARKET			



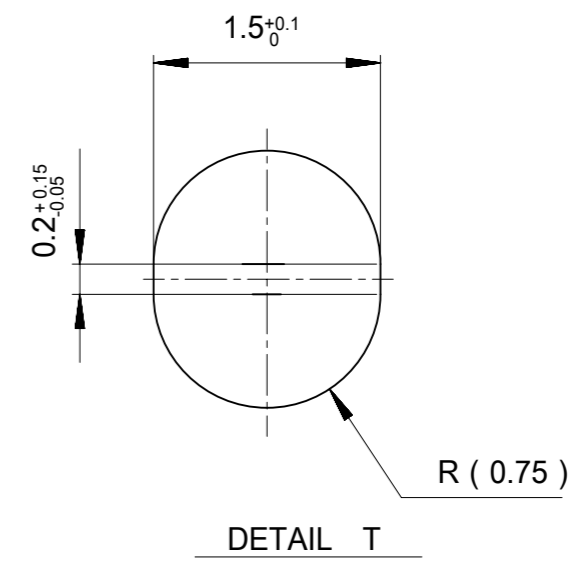
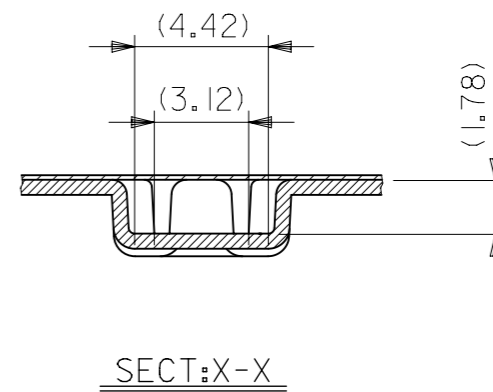
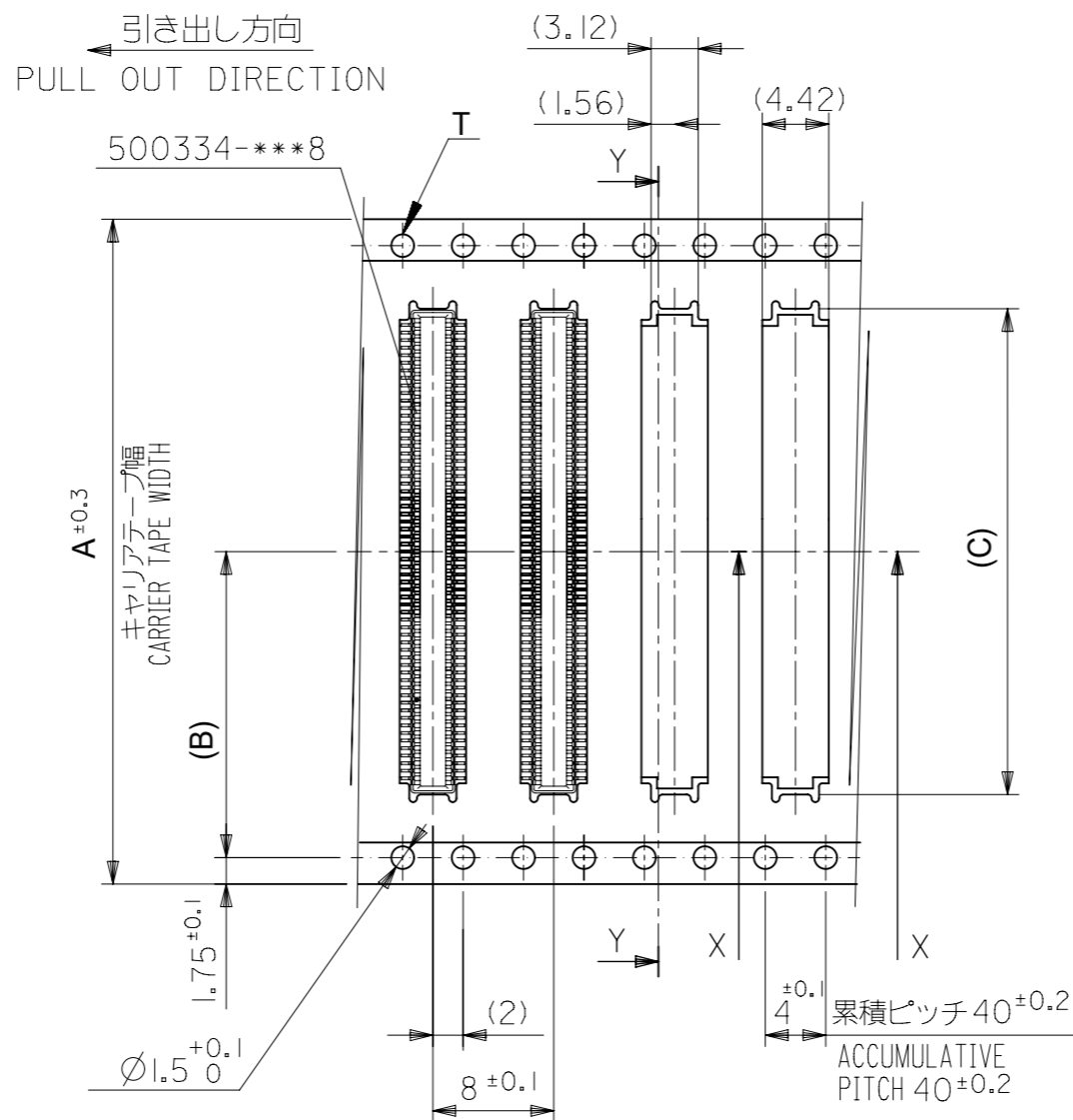
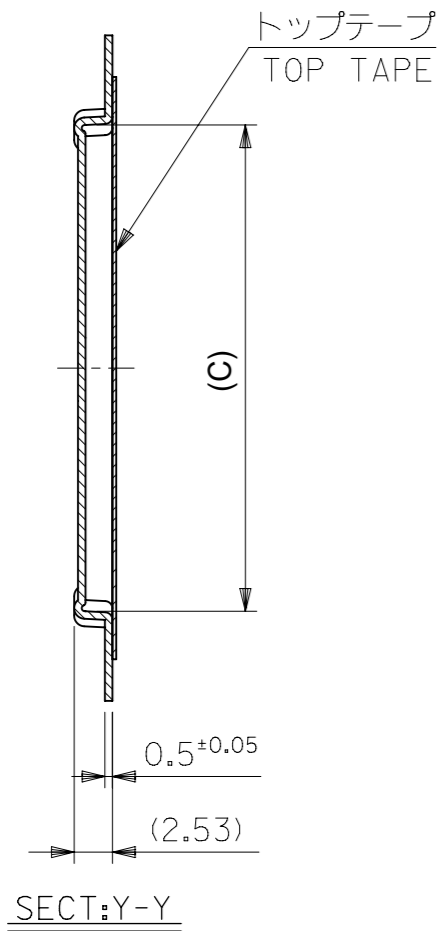
16mm幅キャリアテープ
16mm WIDTH CARRIER TAPE

21.4	17.4	5.65	7.5	16	500334-0160	16
E	D	(C)	(B)	A	EMBOSSED TAPE PACKAGE ORDER No.	極数 CKT.
CONNECTOR SERIES No. 500334-***0						

GENERAL TOLERANCES (UNLESS SPECIFIED)	
10 UNDER	± 0.2
10 OVER 30 UNDER	± 0.25
30 OVER	± 0.3
ANGULAR	± 3°
DRAFT WHERE APPLICABLE MUST REMAIN WITHIN DIMENSIONS	

THIS DRAWING CONTAINS INFORMATION THAT IS PROPRIETARY TO MOLEX ELECTRONIC TECHNOLOGIES, LLC AND SHOULD NOT BE USED WITHOUT WRITTEN PERMISSION	
DIMENSION UNITS	SCALE
mm	NTS
CURRENT REV DESC:	
GENERAL TOLERANCES (UNLESS SPECIFIED)	EC NO: 624787
4 PLACES ± 0.2	DRWN: VLOKESHA 2019/05/22
3 PLACES ± 0.25	CHK'D: GGA 2019/11/11
2 PLACES ± 0.3	APPR: GGA 2019/11/11
1 PLACE ±	INITIAL REVISION:
0 PLACES ±	DRWN: N.YOSHIKAWA 2009/03/19
ANGULAR TOL ± 3.0°	APPR: N.UKITA 2013/05/10
DRAFT WHERE APPLICABLE MUST REMAIN WITHIN DIMENSIONS	THIRD ANGLE PROJECTION
	DRAWING
	SERIES
	MATERIAL NUMBER
	CUSTOMER
	SHEET NUMBER

molex			
EMBSTP PKG FOR 0.5 B/B PLUG ASSY (HGT=2.5) -LEAD FREE-			
PRODUCT CUSTOMER DRAWING			
DOCUMENT NUMBER	DOC TYPE	DOC PART	REVISION
SD-500334-002	PSD	001	C1
SEE CHART	GENERAL MARKET		2 OF 3

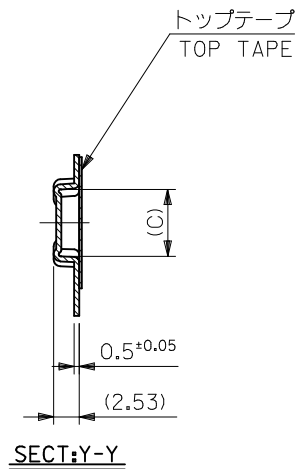


44mm幅キャリアテープ
44mm WIDTH CARRIER TAPE

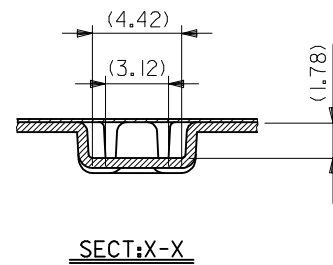
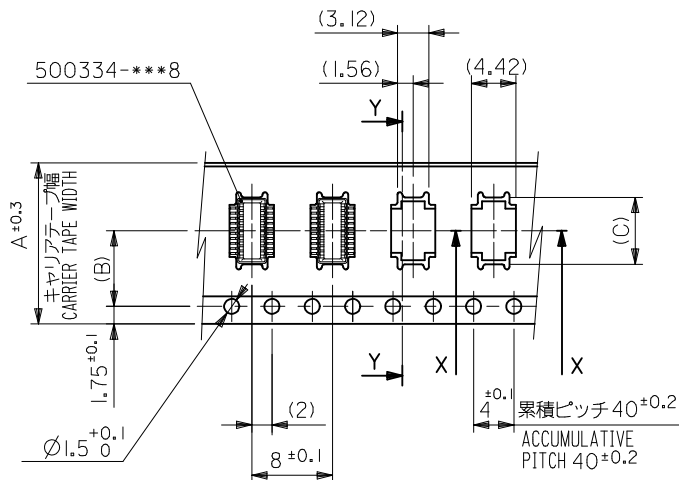
49.4	45.4	21.65	20.2	44	500334-0800	80
E	D	(C)	(B)	A	EMBOSSED TAPE PACKAGE	極数 CKT.
					ORDER No.	500334-***0
CONNECTOR SERIES No. 500334-***0						

GENERAL TOLERANCES (UNLESS SPECIFIED)		
10 UNDER		± 0.2
10 OVER	30 UNDER	± 0.25
30 OVER		± 0.3
ANGULAR		± 3°
DRAFT WHERE APPLICABLE MUST REMAIN WITHIN DIMENSIONS		

THIS DRAWING CONTAINS INFORMATION THAT IS PROPRIETARY TO MOLEX ELECTRONIC TECHNOLOGIES, LLC AND SHOULD NOT BE USED WITHOUT WRITTEN PERMISSION		SCALE		CURRENT REV DESC:	
DIMENSION UNITS		SCALE			
mm		NTS			
GENERAL TOLERANCES (UNLESS SPECIFIED)		MM		INCH	
4 PLACES	± 0.2			EC NO: 624787	
3 PLACES	± 0.25			DRWN: VLOKESHA 2019/05/22	
2 PLACES	± 0.3			CHK'D: GGA 2019/11/11	
1 PLACE	±			APPR: GGA 2019/11/11	
0 PLACES	±			INITIAL REVISION:	
ANGULAR TOL		± 3.0°		DRWN: N.YOSHIKAWA 2009/03/19	
DRAFT WHERE APPLICABLE MUST REMAIN WITHIN DIMENSIONS		THIRD ANGLE PROJECTION		APPR: N.UKITA 2013/05/10	
		DRAWING		SERIES	
		A3-SIZE		500334	
		MATERIAL NUMBER		CUSTOMER	
		SEE CHART		GENERAL MARKET	
		DOCUMENT NUMBER		DOC TYPE	
		SD-500334-002		PSD	
		DOC PART		REVISION	
		001		C1	
		SHEET NUMBER			
		3 OF 3			



引き出し方向
PULL OUT DIRECTION

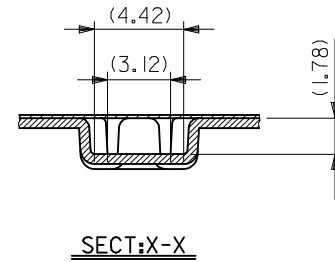
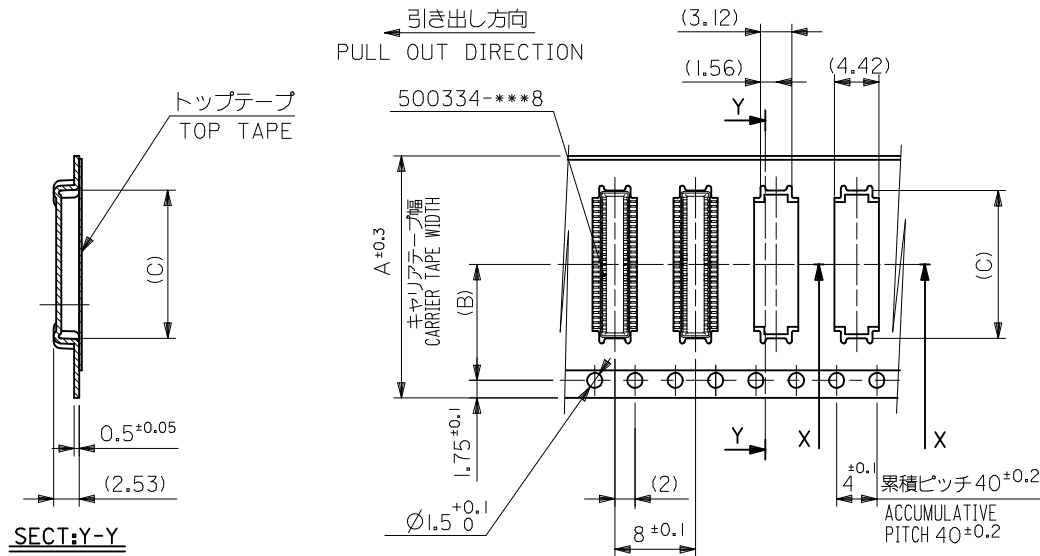


16mm幅キャリアテープ
16mm WIDTH CARRIER TAPE

21.4	17.4	6.65	7.5	16	500334-0200	20
21.4	17.4	5.65	7.5	16	500334-0160	16
E	D	(C)	(B)	A	EMBOSSED TAPE PACKAGE	極致 CKT.
ORDER No.						

CONNECTOR SERIES No. 500334-***0

REVISED EC NO: J2013-1267 DRWN: TARA101 CHKD: TASAKAWA APPR: MSASAO 2013/05/07 2013/05/08 2013/05/10	DESCRIPTION REV	GENERAL TOLERANCES (UNLESS SPECIFIED)		DIMENSION STYLE MM ONLY	SCALE ---	DESIGN UNITS METRIC	THIRD ANGLE PROJECTION	
		10 UNDER	±0.2	DRAWN BY N. YOSHIKAWA	DATE 2009/03/19	TITLE EMBSTP PKG FOR 0.5 B/B PLUG ASSY (HGT=2.5) -LEAD FREE-		
		10 OVER 30 UNDER	±0.25	CHECKED BY M. HAYASHI	DATE 2009/03/19			
		30 OVER	±0.3	APPROVED BY N. UKITA	DATE 2009/03/19			
ANGULAR ±3 °		DRAFT WHERE APPLICABLE MUST REMAIN WITHIN DIMENSIONS		THIS DRAWING CONTAINS INFORMATION THAT IS PROPRIETARY TO MOLEX INCORPORATED AND SHOULD NOT BE USED WITHOUT WRITTEN PERMISSION				

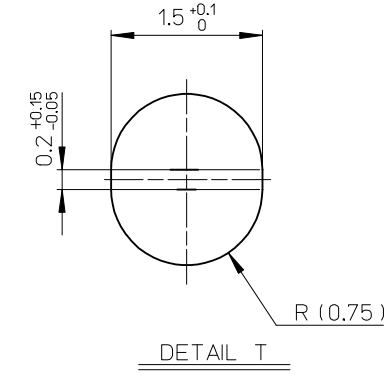
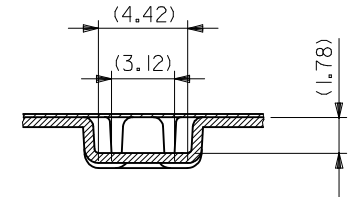
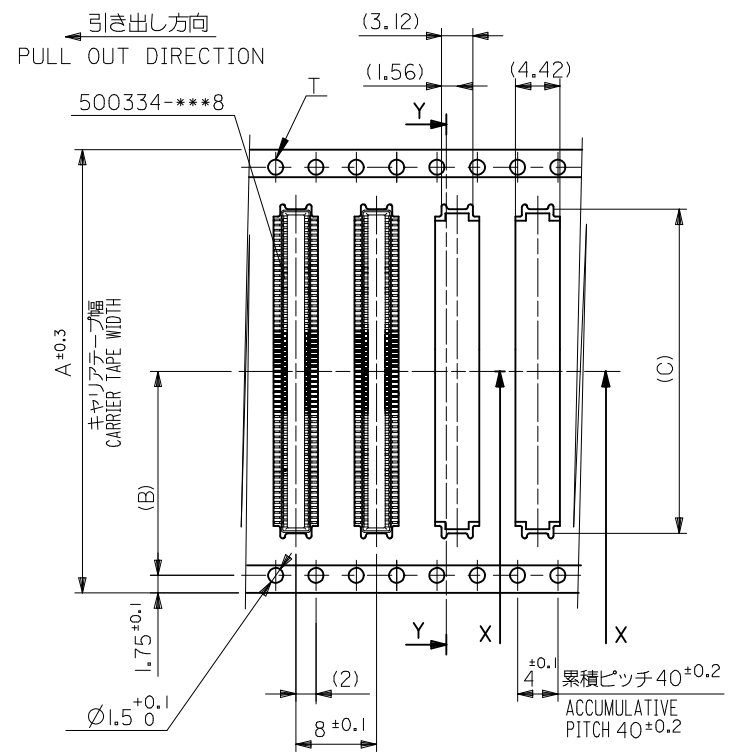
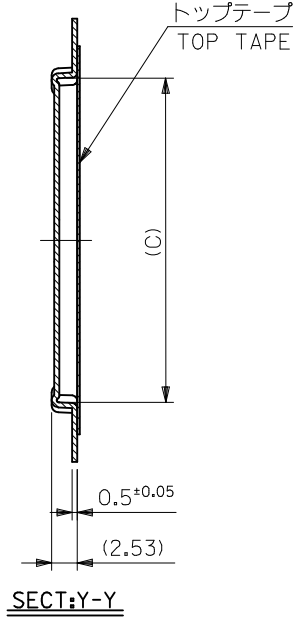


24mm幅キャリアテープ
24mm WIDTH CARRIER TAPE

29.4	25.4	9.15	11.5	24	500334-0300	30
E	D	(C)	(B)	A	EMBOSSED TAPE PACKAGE	極致 CKT.
ORDER No.						

CONNECTOR SERIES No. 500334-***0

REVISED EC NO: J2013-1267 DRWN: TARA101 CHKD: TASAKAWA APPR: MSASAO 2013/05/07 2013/05/08 2013/05/10	DESCRIPTION REV	GENERAL TOLERANCES (UNLESS SPECIFIED)		DIMENSION STYLE MM ONLY	SCALE ---	DESIGN UNITS METRIC	THIRD ANGLE PROJECTION	
		10 UNDER	±0.2	DRAWN BY N. YOSHIKAWA	DATE 2009/03/19	TITLE EMBSTP PKG FOR 0.5 B/B PLUG ASSY (HGT=2.5) -LEAD FREE-		
		10 OVER 30 UNDER	±0.25	CHECKED BY M. HAYASHI	DATE 2009/03/19	molex DOCUMENT NO. SD-500334-002 SHEET NO. 3 OF 4		
		30 OVER	±0.3	APPROVED BY MSASAO	DATE 2013/05/10			
ANGULAR ±3 °		DRAFT WHERE APPLICABLE MUST REMAIN WITHIN DIMENSIONS		MATERIAL NO. SEE CHRAT	THIS DRAWING CONTAINS INFORMATION THAT IS PROPRIETARY TO MOLEX INCORPORATED AND SHOULD NOT BE USED WITHOUT WRITTEN PERMISSION			



44mm幅キャリアテープ
44mm WIDTH CARRIER TAPE

49.4	45.4	21.65	20.2	44	500334-0800	80
E	D	(C)	(B)	A	EMBOSSD TAPE PACKAGE	極致 CKT.
CONNECTOR SERIES No. 500334-***0						ORDER No.

REVISED EC NO: J2013-1267 DRWN: TARA 01 CHKD: TASAKAWA APPR: MSASAO	DESCRIPTION REV	GENERAL TOLERANCES (UNLESS SPECIFIED)		DIMENSION STYLE MM ONLY		SCALE ---		DESIGN UNITS METRIC		THIRD ANGLE PROJECTION	
		10 UNDER	±0.2	DRAWN BY	DATE	TITLE					
		10 OVER 30 UNDER	±0.25	N. YOSHIKAWA	2009/03/19	EMBSTP PKG FOR 0.5 B/B PLUG ASSY (HGT=2.5) -LEAD FREE-					
		30 OVER	±0.3	M. HAYASHI	2009/03/19	molex					
ANGULAR ±3 °		DRAFT WHERE APPLICABLE MUST REMAIN WITHIN DIMENSIONS		APPROVED BY MSASAO		DATE 2013/05/10		MATERIAL NO. SEE CHRAT		DOCUMENT NO. SD-500334-002	
SIZE A3		THIS DRAWING CONTAINS INFORMATION THAT IS PROPRIETARY TO MOLEX INCORPORATED AND SHOULD NOT BE USED WITHOUT WRITTEN PERMISSION									