

| | | | | | | | | | | | |
|--------------------------|--------|-----|-----|-----|------|-----|-----------|--------|------------|-----------|------|
| 錫メッキ済リン青銅 (板厚: 0.203) | 0.9 | 4.5 | 3.6 | 0.5 | 2.3 | 1.9 | ∅ 1.3-3.1 | #18-24 | 39-00-0062 | 5558 PBTL | バラ状 |
| 錫メッキ済黄銅 (板厚: 0.203) | 0.6 | 2.3 | 2.3 | 0.4 | 1.65 | 1.8 | ∅ 0.9-1.8 | #22-28 | -0061 | PBT | 連鎖状 |
| | 0.9 | 4.5 | 3.6 | 0.5 | 2.3 | 1.9 | ∅ 1.3-3.1 | #18-24 | -0049 | T2L | バラ状 |
| | | | | | | | | | -0048 | T2 | 連鎖状 |
| 39-00-0040 | 5558 T | バラ状 | | | | | | | | | |
| 材料 | F | E | D | C | B | A | 被覆外径 | 適用電線 | EDP NO. | ENG. NO. | 端子形状 |

注記

- 適合ハウジング : 5559 シリーズ
 - 嵌合相手 : 5556 シリーズ
- △ 適用電線が #22-28 の製品のセレーション数は 1 とする。

| | | | |
|-------------------------|-------|-----------------------------|------------------|
| 角度 ANGLE | ±3° | F 変更 (JC80619) | Y.K S.K '98/5/6 |
| 30 以上 OVER | +0.3 | E 変更 (J10380) | H.H S.K '91/5/21 |
| 10 以上 30 未満 OVER | +0.25 | D 変更&再作図 (J10261) | H.H Y.y '91/4/12 |
| 10 未満 UNDER | +0.2 | 記号 LTR 変更内容 REVISION RECORD | DR. CHK. 日付 DATE |
| 一般公差 GENERAL TOLERANCES | | REVISE ONLY ON CAD SYSTEM | |

材料 MATERIAL 表参照

仕上げ FINISH —H—

適用電線範囲 WIRE RANGE 表参照

被覆外径 INS. RANGE 表参照

DRAWN BY '91/4/5 H.HIRAMOTO K.T S.KUNISHI

CHK'D BY '98/7/7

APP'D BY '98/7/7 M.FUKUSHIMA

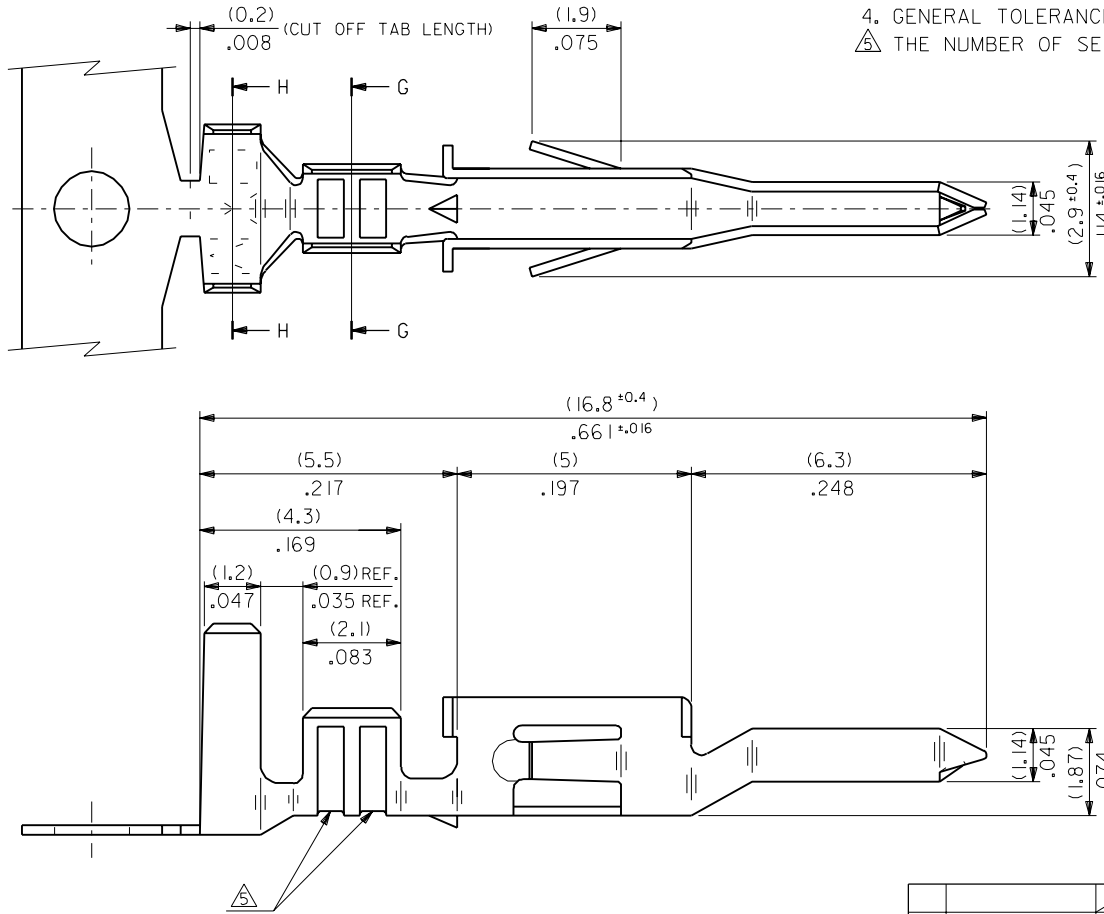
材料 MOLEX-JAPAN CO.,LTD. 日本モレックス株式会社

EDP. NO. 39-00-00**

ENG. NO. SD-5558****

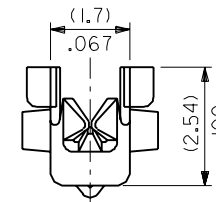
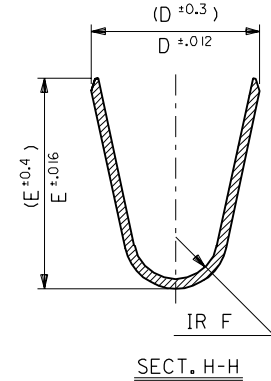
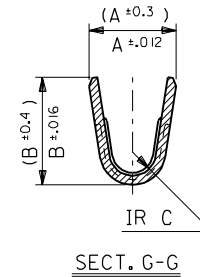
TITLE 名称 NEW MINI. FIT CONN. CRIMP PIN

REV G



NOTES

1. APPLICABLE HOUSING : 5559 SERIES
2. MATES WITH TERMINAL : 5556 SERIES
3. (METRIC) VALUES SHOWN GOVERN OVER ENGLISH CONVERSION VALUES.
4. GENERAL TOLERANCES OF ENGLISH CONVERSION VALUES : ±.008 INCH
5. THE NUMBER OF SERRATIONS TO BE ONE FOR WIRE RANGE #22-28.



| | | | |
|-------------------------|----------------------------|------------------|--|
| 材料 MATERIAL | | SEE SHEET 2 OF 2 | moLEX MOLEX-JAPAN CO.,LTD. 日本モレックス株式会社 |
| K | REVISED (JC90012) | Y.K S.K '98/7/6 | |
| 仕上げ FINISH | | SEE SHEET 2 OF 2 | EDP. NO. SEE SHEET 2 OF 2 |
| J | REVISED (JC80619) | Y.K S.K '98/5/6 | ENG. NO. SHEET 1 OF 2 REV SD-5558**** |
| H | REVISED (J20428) | H.H Y.Y '92/5/20 | |
| 適用電線範囲 WIRE RANGE | | SEE SHEET 2 OF 2 | TITLE 名称 NEW MINI. FIT CONN. CRIMP PIN |
| G | REVISED (J10381) | H.H Y.Y '91/6/25 | |
| 被覆外径 INS. RANGE | | SEE SHEET 2 OF 2 | DRAWN BY '91/3/12 H.HIRAMOTO CHK'D BY '98/7/17 K.T. S.KUNISHI APP'D BY '98/7/17 M.FUKUSHIMA 尺度 SCALE 10 - 1 |
| F | REVISED & REDRAWN (J10202) | H.H Y.Y '91/4/27 | |
| 記号 LTR REVISION RECORD | | DR. CHK. DATE | REVISION RECORD |
| 角度 ANGLE | | ±3° | |
| 30 以上 OVER | | ±0.3 | GENERAL TOLERANCES |
| 10 以上 30 未満 UNDER | | ±0.25 | |
| 10 未満 UNDER | | ±0.2 | |
| 一般公差 GENERAL TOLERANCES | | | |

THIS DRAWING CONTAINS INFORMATION THAT IS PROPRIETARY TO MOLEX(JAPAN) AND SHOULD NOT BE USED WITHOUT WRITTEN PERMISSION
 本図面は日本モレックス(株)の所有する情報を含むもので 当社の許可なく複製を禁止する。

ENG. NO
SD-5558*****

EDP NO. SEE CHART

MM DIMENSIONS IN METRIC DO NOT SCALE DRAWING

8 7 6 5 4 3 2 1

F
E
D
C
B

| | | | | | | | | | | | |
|---------------------------------|---------------|---------------|---------------|---------------|----------------|---------------|--------------------------|------------|------------|------------|-------|
| TIN PLATED PHOSPHOR BRONZE | (0.9) .035 | (4.5) .177 | (3.6) .142 | (0.6) .024 | (2.7) .106 | (2.3) .091 | ∅ (3.1) .122 MAX. | # 16 | 39-00-0084 | 5558 PBT3L | LOOSE |
| | (0.6) .024 | (2.3) .091 | (2.3) .091 | (0.4) .016 | (1.65) .065 | (1.8) .071 | ∅ (0.9-1.8) .035-.071 | #22-28 | -0083 | PBT3 | CHAIN |
| | (0.9) .035 | (4.5) .177 | (3.6) .142 | (0.5) .020 | (2.3) .091 | (1.9) .075 | ∅ (1.3-3.1) .051-.122 | # 18-24 | -0068 | PBT2L | LOOSE |
| TIN OVER COPPER PLATED BRASS | (0.6) .024 | (2.3) .091 | (2.3) .091 | (0.4) .016 | (1.65) .065 | (1.8) .071 | ∅ (0.9-1.8) .035-.071 | #22-28 | -0067 | PBT2 | CHAIN |
| | (0.9) .035 | (4.5) .177 | (3.6) .142 | (0.5) .020 | (2.3) .091 | (1.9) .075 | ∅ (1.3-3.1) .051-.122 | # 18-24 | -0062 | PBTL | LOOSE |
| | (0.9) .035 | (4.5) .177 | (3.6) .142 | (0.6) .024 | (2.7) .106 | (2.3) .091 | ∅ (3.1) .122 MAX. | # 16 | -0061 | PBT | CHAIN |
| MATERIAL | F | E | D | C | B | A | INS. RANGE | WIRE RANGE | EDP NO. | ENG. NO. | FORM |

| | | |
|--------------------------------|----------------------------------|--|
| 材料 MATERIAL | SEE CHART | molex MOLEX-JAPAN CO.,LTD. 日本モレックス株式会社 |
| THICKNESS : (0.203)/.008 | | |
| 仕上げ FINISH | SEE CHART | EDP. NO. |
| 適用電線範囲 WIRE RANGE | SEE CHART | SEE CHART |
| 被覆外径 INS. RANGE | SEE CHART | ENG. NO. SHEET 2 OF 2 REV SD-5558**** K |
| DRAWN BY 9/3/02 H.HIRAMOTO | CHK'D BY 9/7/02 K.T.S.KUNISHI | TITLE 名称 NEW MINI. FIT CONN. CRIMP PIN |
| APP'D BY 9/7/02 M.FUKUSHIMA | 尺度 SCALE 10 - 1 | |

| | |
|----------------------------|-------|
| 角度 ANGLE | +3° |
| 30 以上 OVER | +0.3 |
| 10 以上 30 未満 UNDER | +0.25 |
| 10 未満 UNDER | +0.2 |
| 一般公差 GENERAL TOLERANCES | |

REVISION RECORD
記号 LTR 変更内容 DR. CHK. 日付 DATE

THIS DRAWING CONTAINS INFORMATION THAT IS PROPRIETARY TO MOLEX(JAPAN) AND SHOULD NOT BE USED WITHOUT WRITTEN PERMISSION
本図面は日本モレックス(株)の所有する情報を含むので 当社の許可なく複製を禁止する。 MXJ-8

5558.S32 A