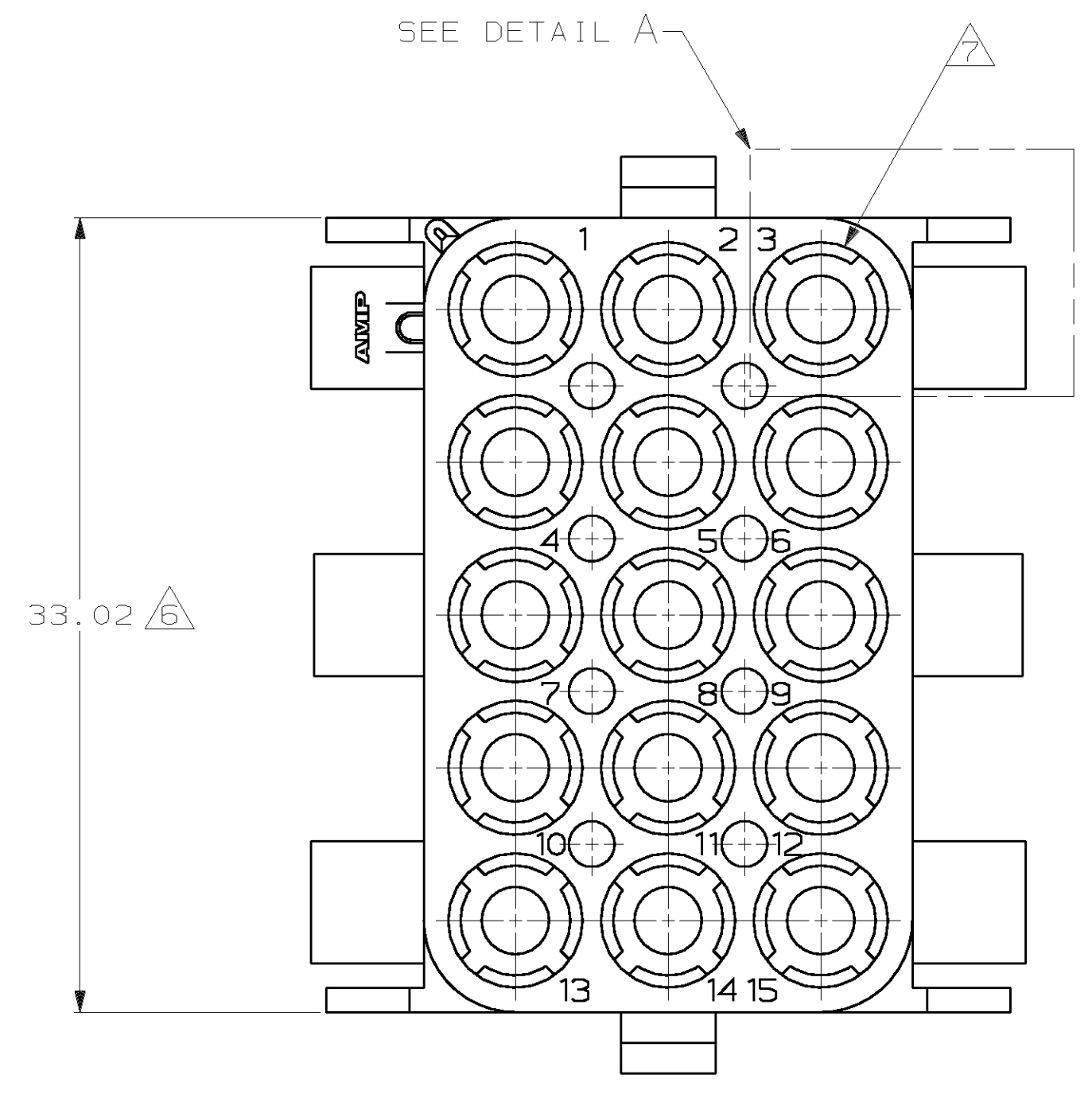
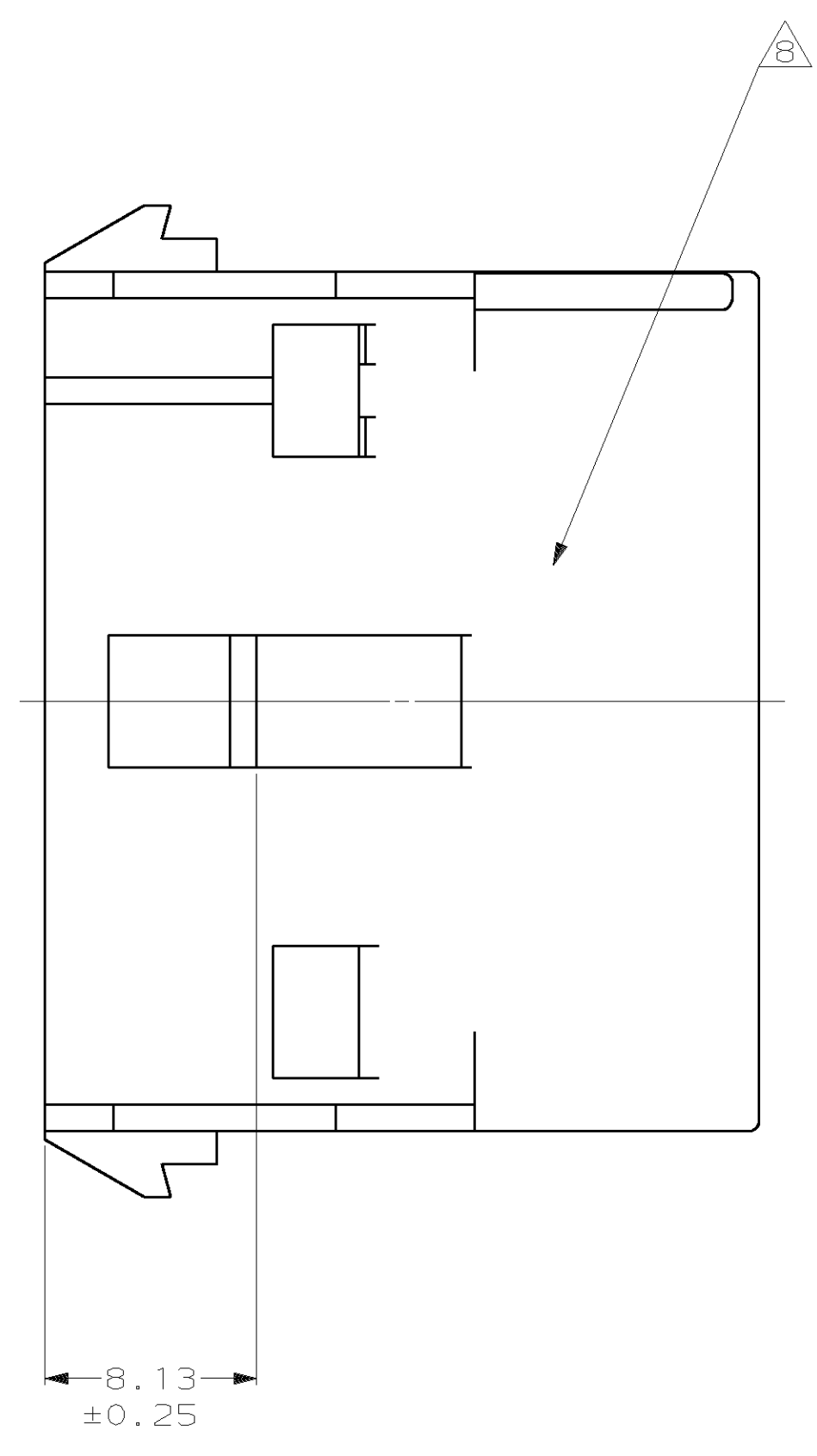
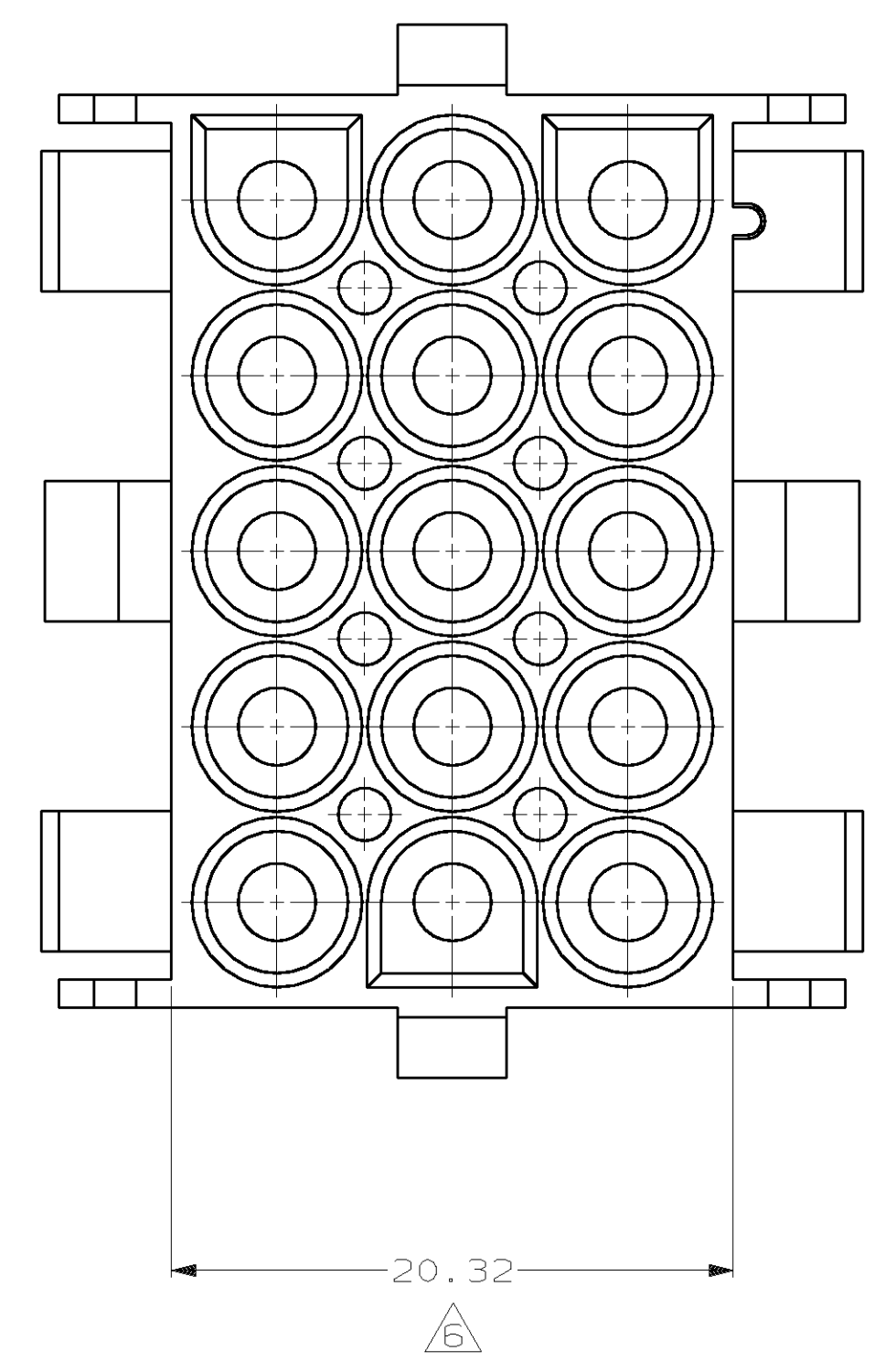
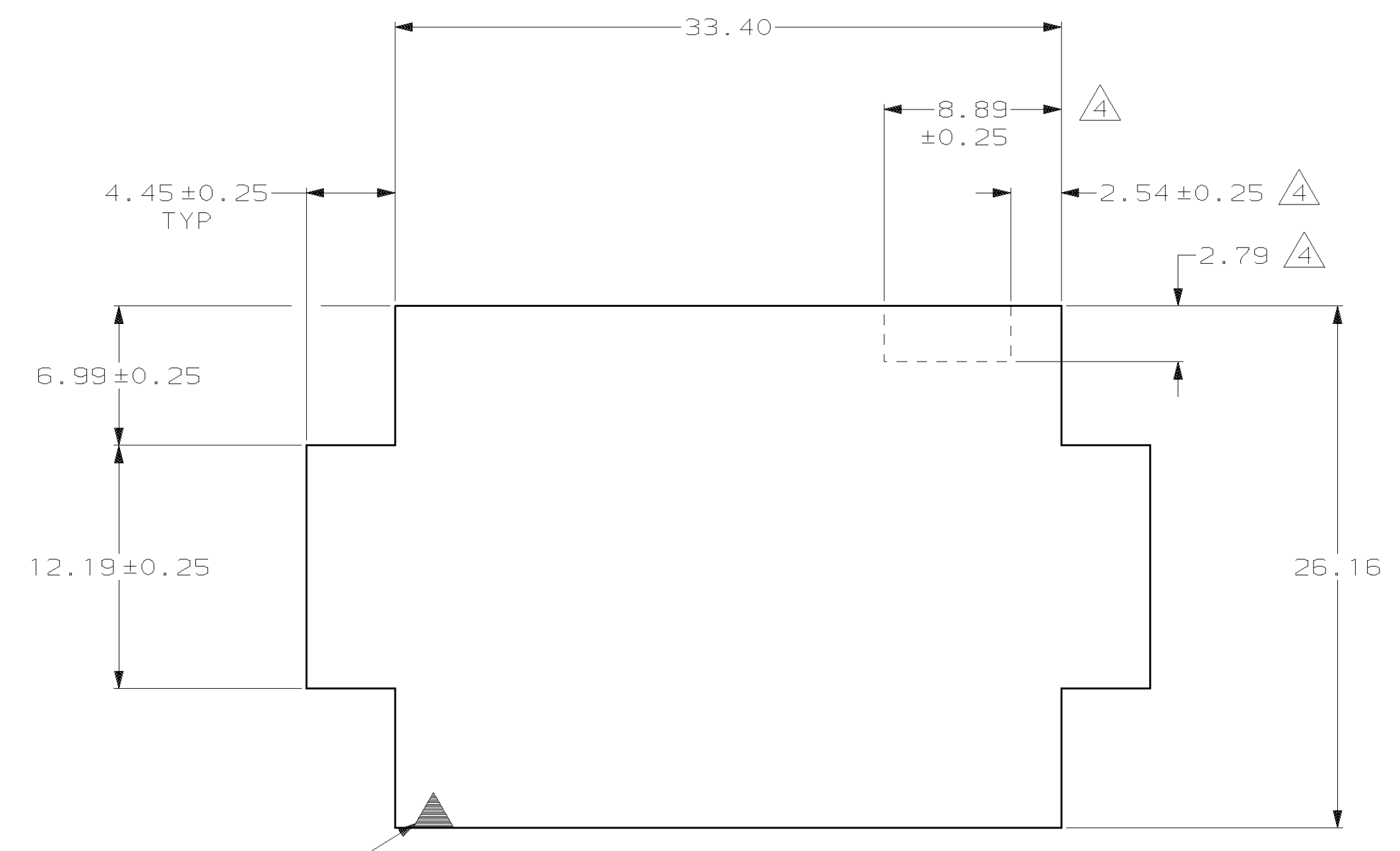
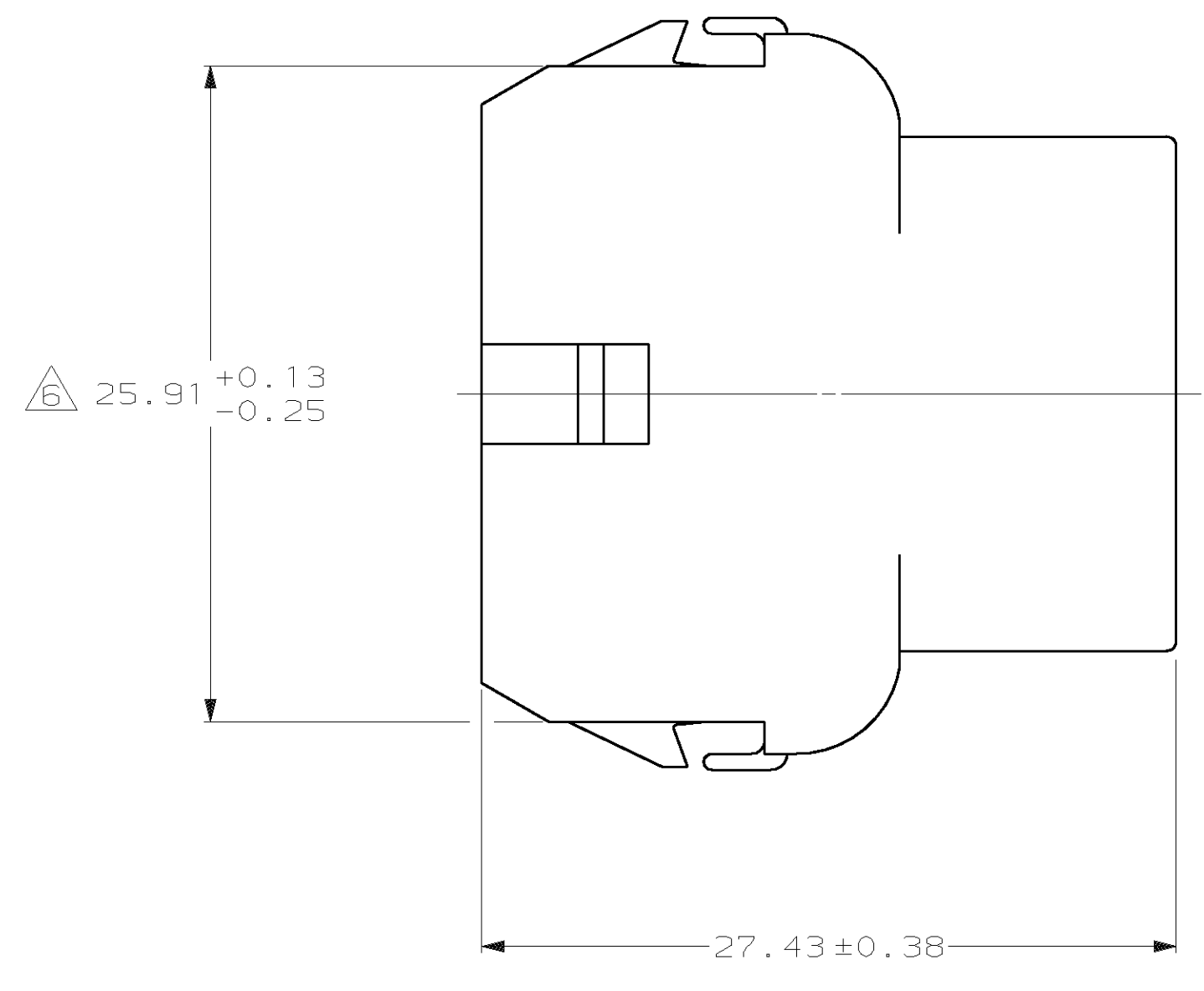
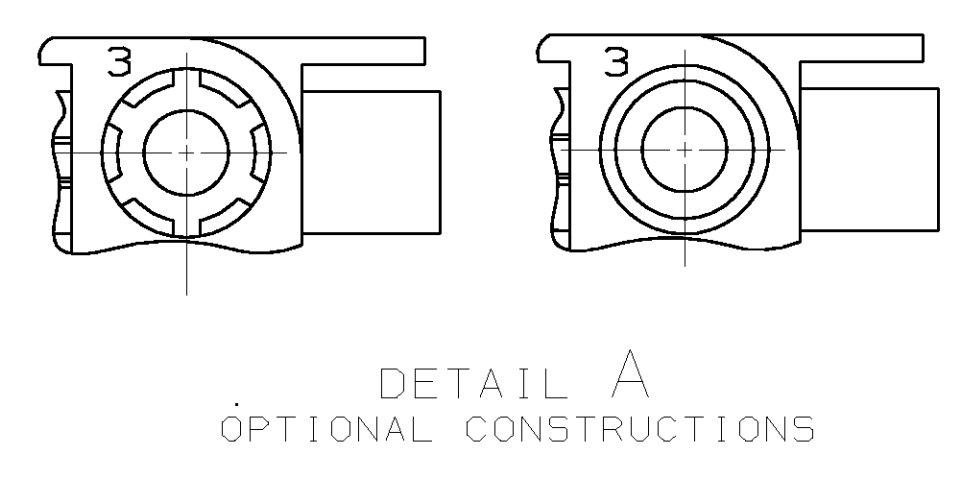


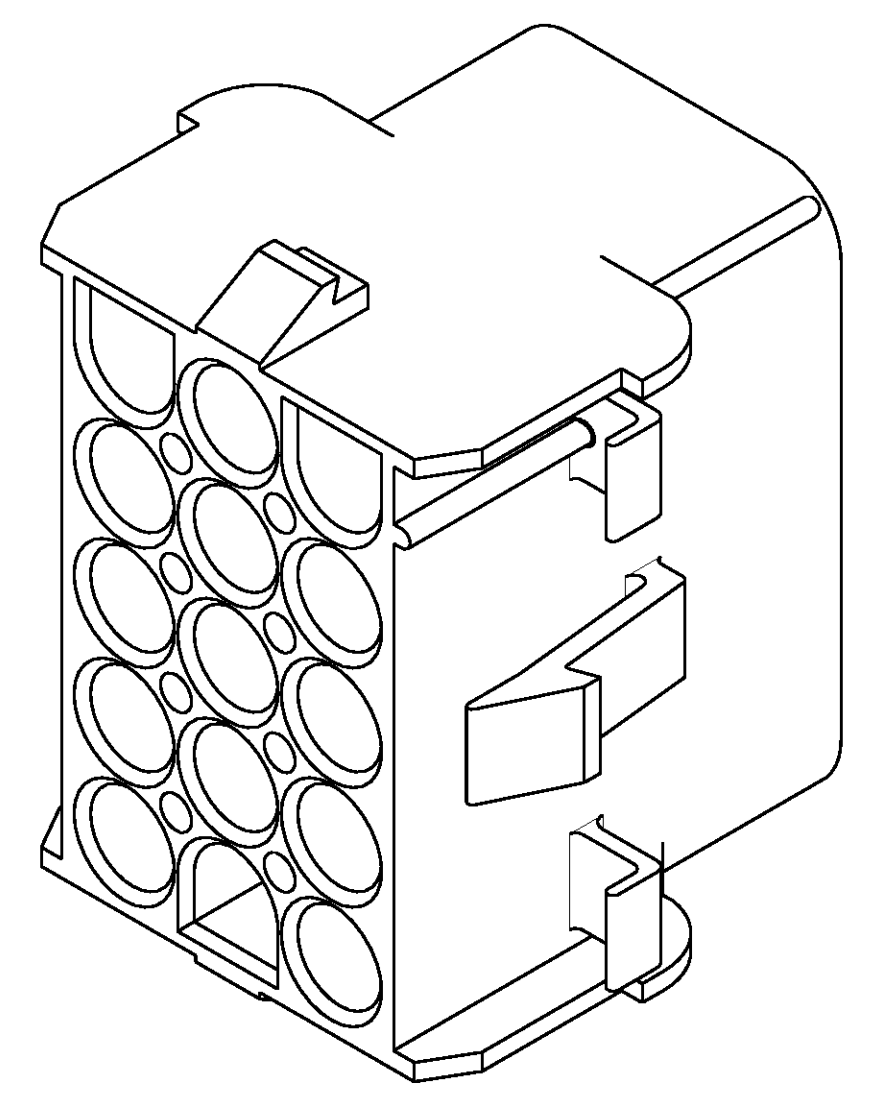
LOC		DIST		P		F		ZONE		LTR		REVISIONS		DATE	APPD	
CM	53												AG	REVISED PER EC 063B-0224-02	26-APR-02	KW



- MATES WITH APPROPRIATE UNIVERSAL MATE-N-LOK™ PLUG.
 - RECOMMENDED PANEL THICKNESS 0.76 - 2.29.
 - PANEL MUST BE PUNCHED SO THAT THE HOUSING ENTERS THE PANEL IN THE SAME DIRECTION AS THE PUNCH.
- △ 4 OPTIONAL FOR KEYING HOUSING IN PANEL.
 - △ 5 CIRCUIT NUMBER 1 LOCATION.
 - △ 6 DIMENSION INDICATED IS AS MOLDED. ADDITIONAL GROWTH DUE TO SUBSEQUENT MOISTURE ABSORPTION MAY OCCUR.
 - △ 7 FOUR RIBS EQUALLY SPACED, NO SPECIFIC ORIENTATION. NO RIBS OR SIX RIBS EQUALLY SPACED, NO SPECIFIC ORIENTATION, OPTIONAL.
 - △ 8 UNDERWRITERS RECOGNIZED COMPONENT LOGO AND CSA CERTIFICATION LOGO TO BE LOCATED ONCE EACH ON SIDE OF HOUSING.



RECOMMENDED PANEL CUT OUT



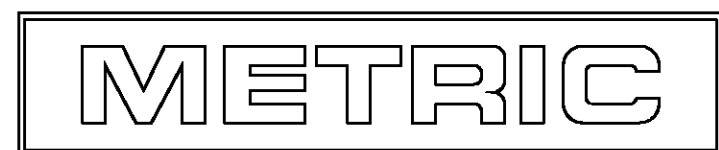
3-DIMENSIONAL MODEL NTS

MM	IN	MM	IN
6.99	.275	33.40	1.315
4.45	.175	33.02	1.300
2.79	.110	27.43	1.080
2.54	.100	26.16	1.030
2.29	.090	25.91	1.020
0.76	.030	20.32	.800
0.38	.015	12.19	.480
0.25	.010	8.89	.350
0.13	.005	8.13	.320

CONVERSION TABLE

BLACK	1-480711-9
BLUE	1-480711-6
GREEN	1-480711-5
RED	1-480711-2
NATURAL	1-480711-0

PART NO

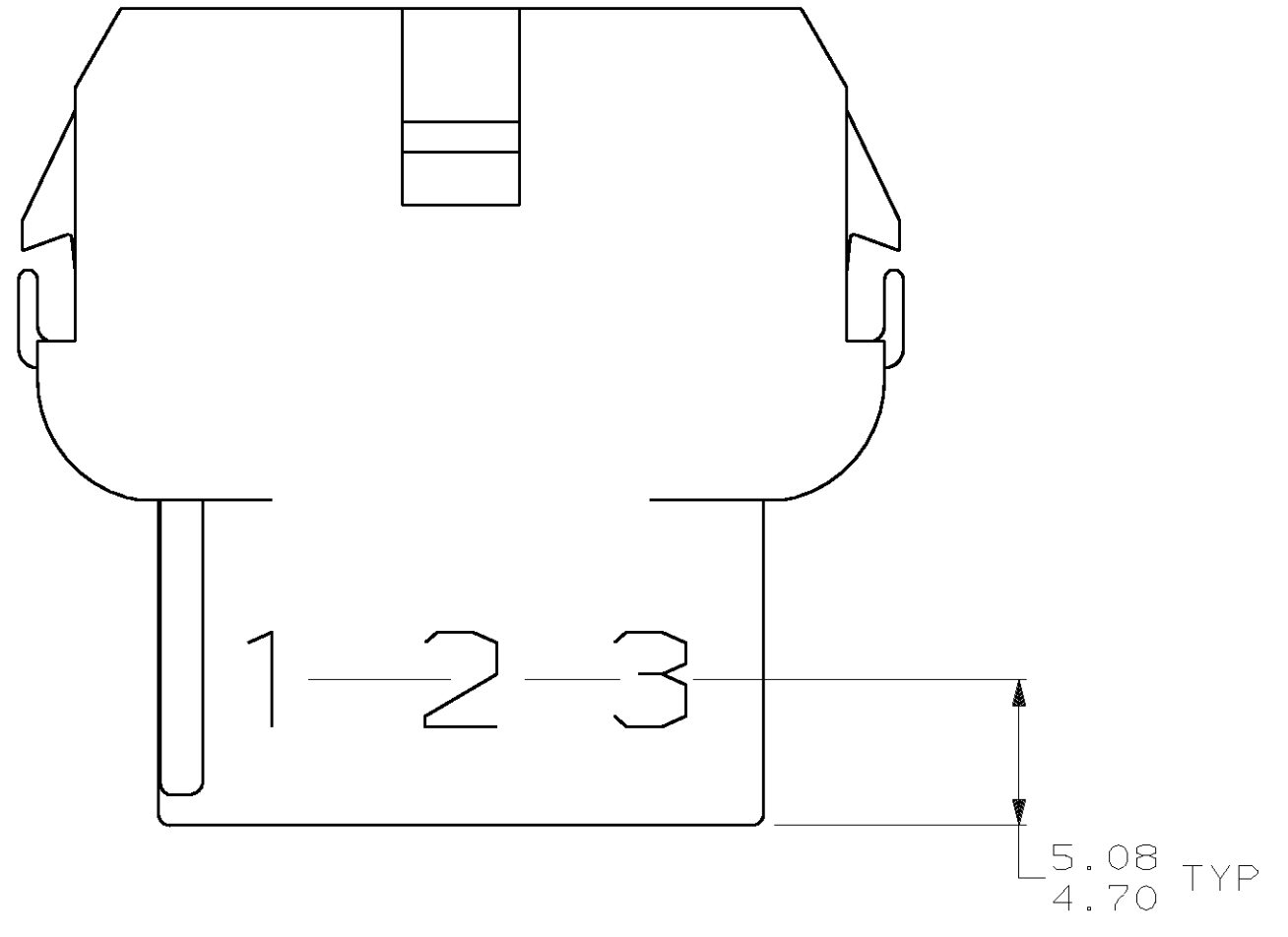


THIS DRAWING IS A CONTROLLED DOCUMENT FOR AMP INCORPORATED. IT IS SUBJECT TO CHANGE AND THE CONTROLLING ENGINEERING ORGANIZATION SHOULD BE CONTACTED FOR THE LATEST REVISION.

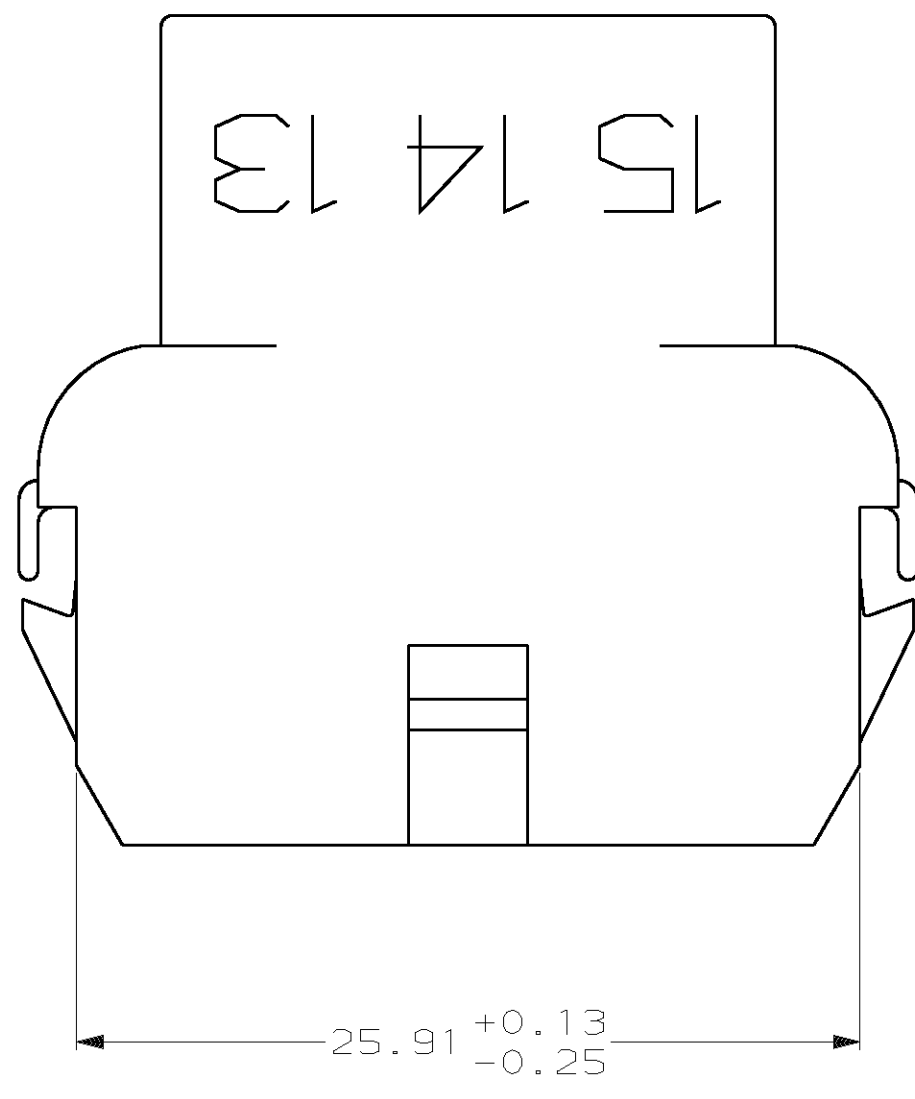
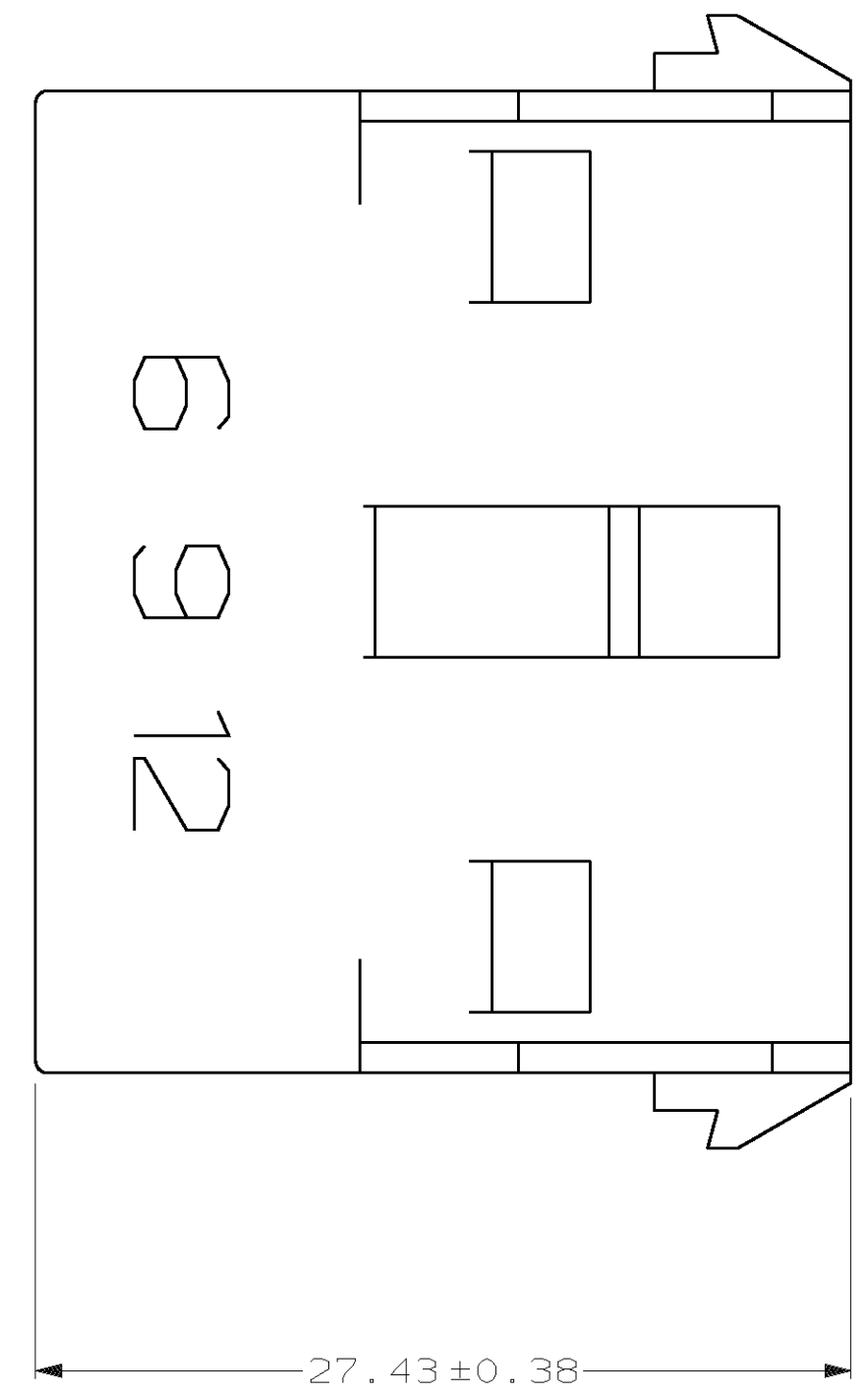
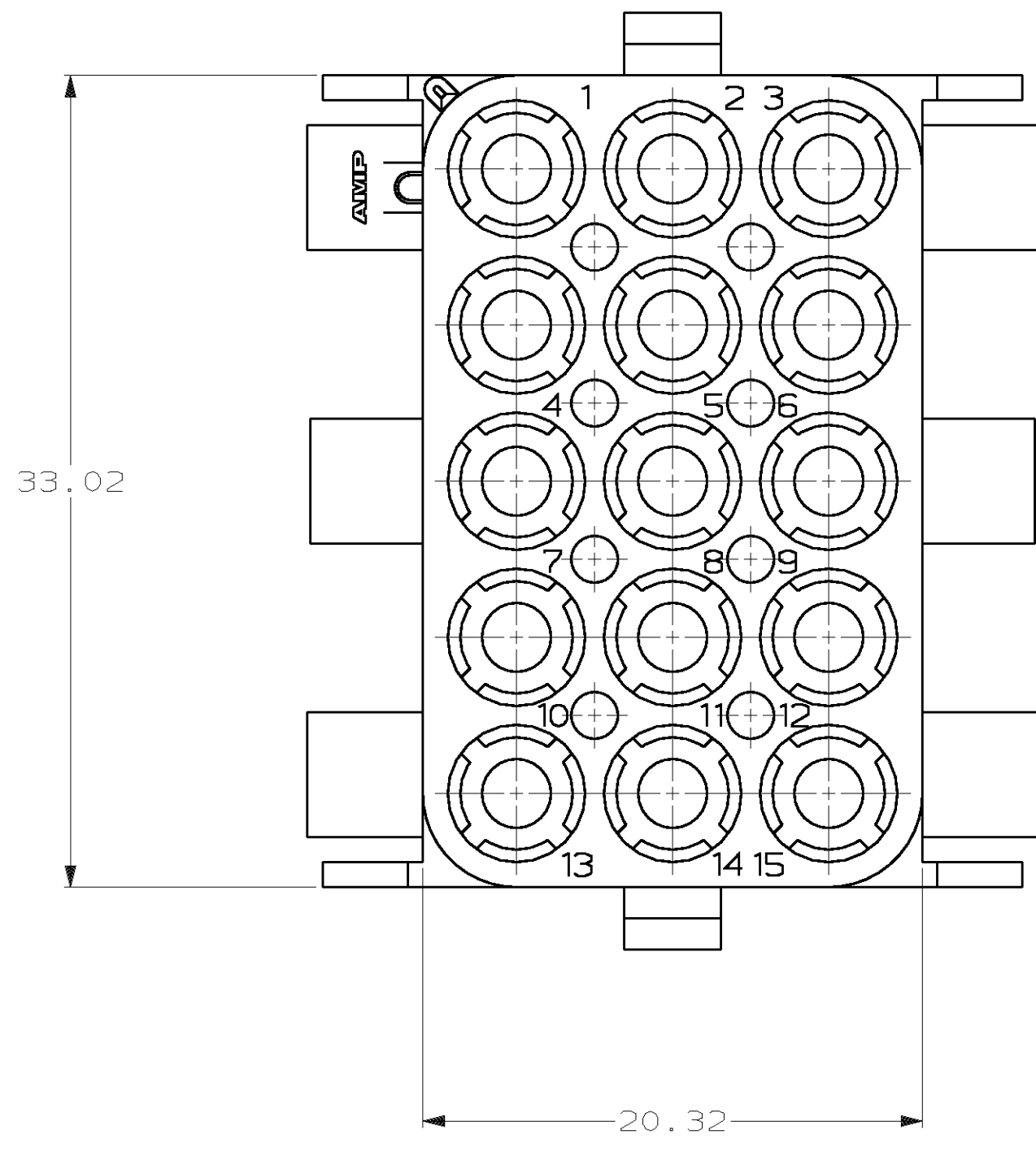
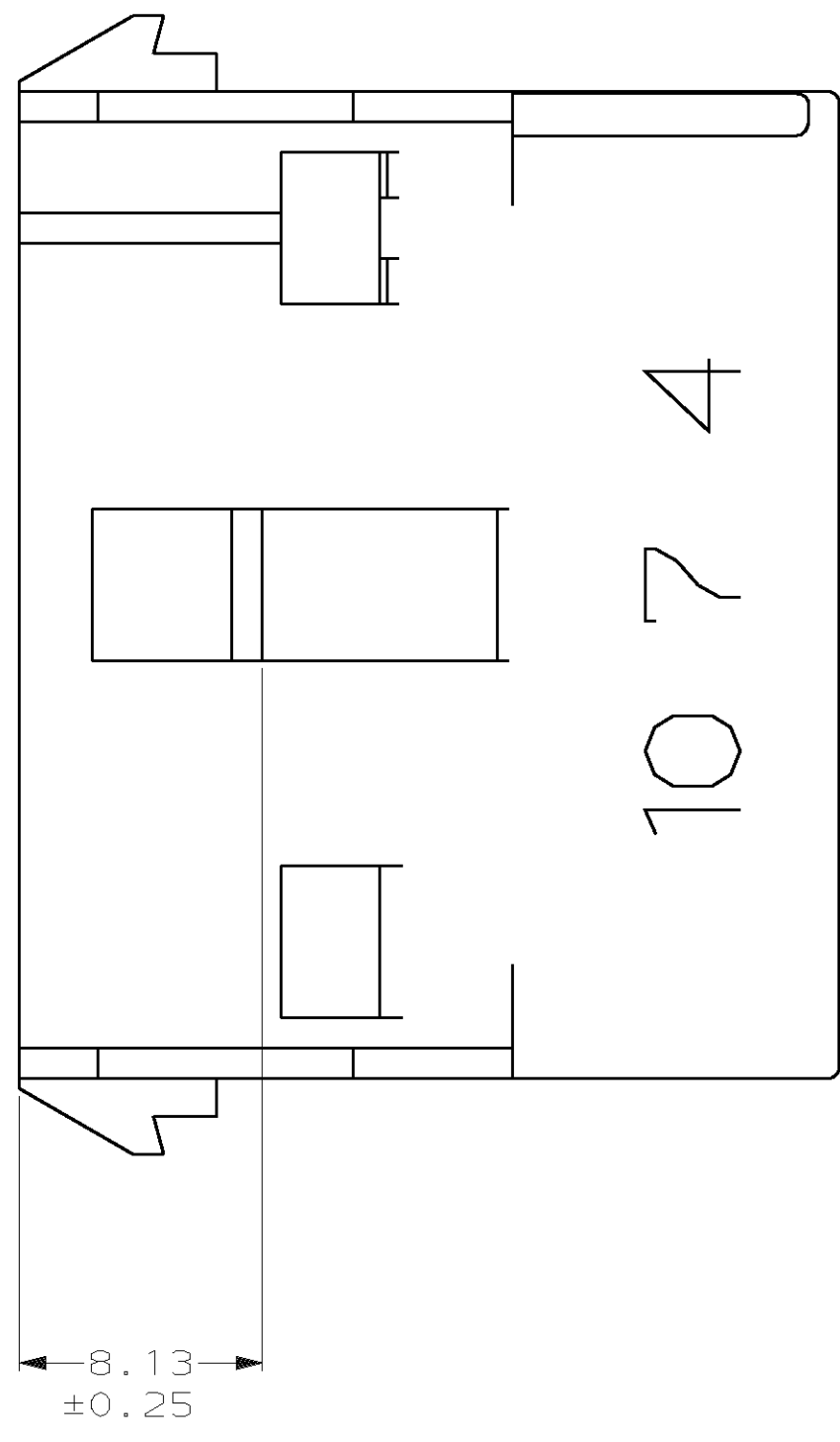
DO NOT SCALE PRINT. UNLESS SPECIFIED DIMENSIONS IN mm (INCHES) TOLERANCES ON: 2 PLC DEC ± 0.13 3 PLC DEC ± - ANGLES ± 1°	DR 5-28-92 K. WHITAKER CHK 5-28-92 R. SWING APPD 5-28-92 D. SELF APPD 5-28-92 D. SELF
MATERIAL NYLON, UL 94V-2	PRODUCT SPEC -
FINISH -	APPLICATION SPEC -
WEIGHT -	

AMP Incorporated Harrisburg, PA 17105-3608		
NAME CAP, 15 CIRCUIT, UNIVERSAL MATE-N-LOK™		
SIZE D	CAGE CODE 00779	DRAWING NO C-480711
SCALE 4:1	SHEET 1 OF 2	

LOC		DIST		P		F		ZONE		LTR		REVISIONS		
CM	53											DESCRIPTION	DATE	APPD
												AG SEE SHEET 1	-	-



1. STAMP NUMBERS 3.18 HIGH AT WIRE END OF HOUSING (12 POINT DAVID TYPE); CLARIFICATION MARKS UNDER THE 6 & 9.
2. CHARACTERS TO BE STAMPED ON HOUSING IN A MANNER AS TO BE READ FROM WIRE END ONLY.
3. VIOLET, BLACK, BROWN, AND BLUE COLORED BLOCKS TO BE STAMPED WITH WHITE CHARACTERS. ALL OTHER COLORED BLOCKS TO BE STAMPED WITH BLACK CHARACTERS.



MM	IN	MM	IN
5.08	.200	-	-
4.70	.185	33.02	1.300
3.18	.125	27.43	1.080
0.38	.015	25.91	1.020
0.25	.010	20.32	.800
0.13	.005	8.13	.320
MM	IN	MM	IN

CONVERSION TABLE

METRIC

THIS DRAWING IS A CONTROLLED DOCUMENT FOR AMP INCORPORATED. IT IS SUBJECT TO CHANGE AND THE CONTROLLING ENGINEERING ORGANIZATION SHOULD BE CONTACTED FOR THE LATEST REVISION.

DO NOT SCALE PRINT. UNLESS SPECIFIED DIMENSIONS IN mm (INCHES)		DR 5-28-92 K. WHITAKER		NATURAL		2-480711-0	
TOLERANCES ON:		CHK 5-28-92 R. SWING		COLOR		PART NO	
2 PLC DEC ± 0.13		APPD 5-28-92 D. SELF		AMP Incorporated Harrisburg, PA 17105-3608			
3 PLC DEC ± -		APPD 5-28-92 D. SELF					
ANGLES ± 1°0'		PRODUCT SPEC		NAME			
MATERIAL		APPLICATION SPEC		CAP, 15 CIRCUIT, UNIVERSAL MATE-N-LOK™			
FINISH		WEIGHT		SIZE		DRAWING NO	
				D 00779		C-480711	
				SCALE 4:1		SHEET 2 OF 2	