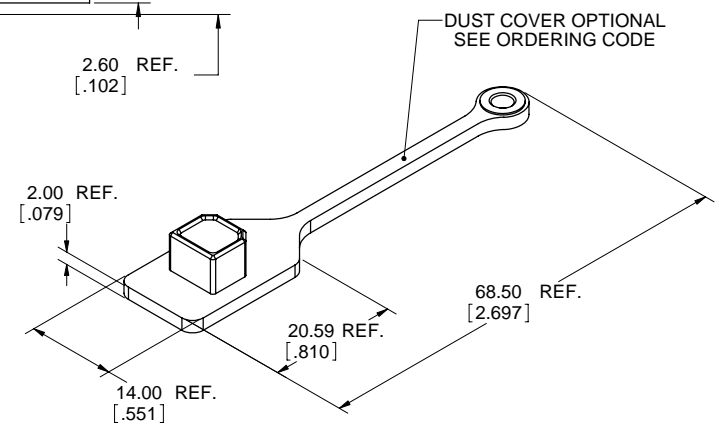
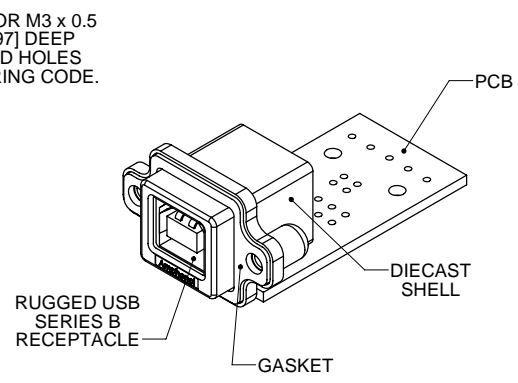
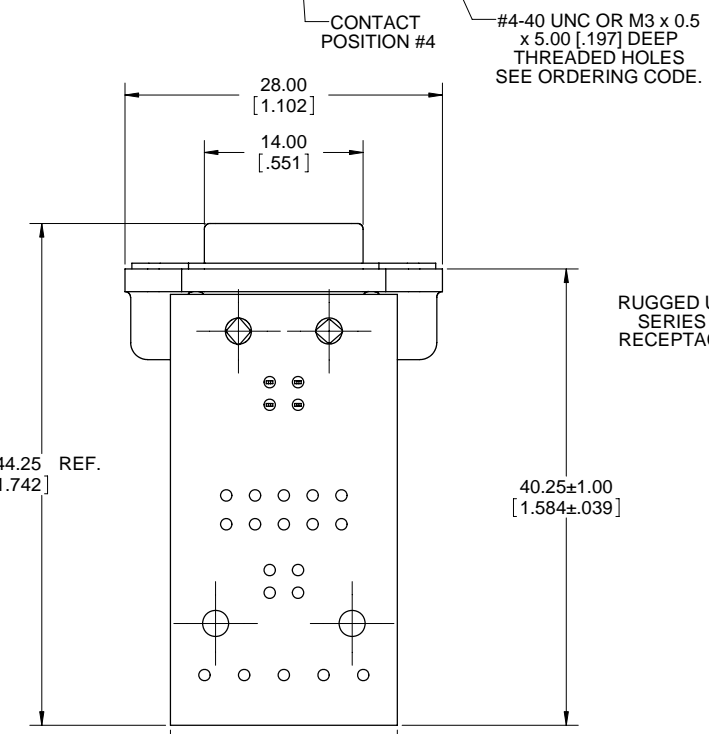
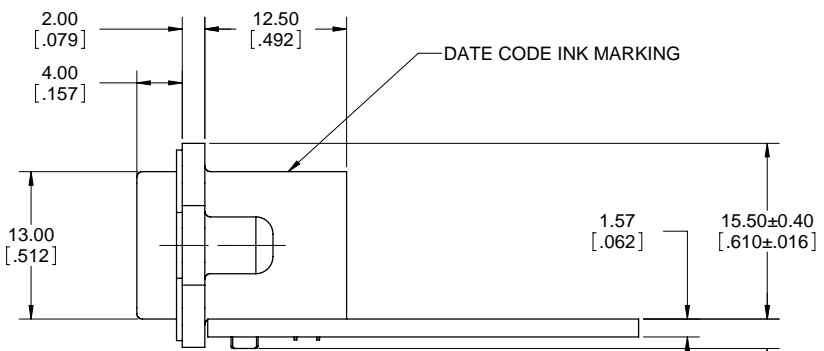
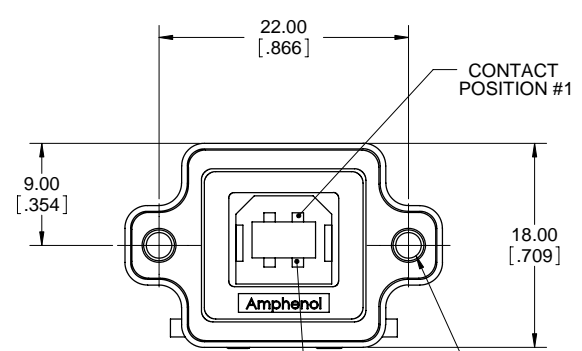


REVISIONS			
REV	DESCRIPTION, ECN, EAR NO.	DATE	APP'D
A	PRODUCT DRAWING (EAR 13657)	FEB08/10	K.L.



- NOTES:**
- MATERIAL:**
 - ALL MATERIALS ARE RoHS COMPLIANT PER EU DIRECTIVE 2002/95/EC AND AMENDMENTS.
 - OUTER SHELL - DIECAST ZINC ALLOY, NICKEL PLATED.
 - CONTACTS - PHOSPHOR BRONZE, PLATED WITH 0.76 MICRONS (30 MICROINCHES) GOLD OVER 1.27 MICRONS (50 MICROINCHES) MINIMUM NICKEL ON THE MATING AREA WITH TIN OVER NICKEL ON THE TAILS.
 - USB HOUSING - ENGINEERING THERMOPLASTIC, HIGH TEMPERATURE RESISTANT, FLAMMABILITY RATING UL94V-0 WHITE.
 - USB SHIELD WITH BACK COVER - COPPER ALLOY, NICKEL PLATED.
 - GASKET - SILICONE RUBBER.
 - PCB - FR-4 FIBERGLASS, LEAD FREE.
 - DUST COVER - SILICONE RUBBER WITH NICKEL PLATED BRASS BUSHING. SEE ORDERING CODE FOR DUST COVER OPTIONS.
 - ENVIRONMENTAL PERFORMANCE PER IEC 60529 CODE IP67 FOR SEAL BETWEEN MATING AREA AND PCB SIDE OF CONNECTOR. GASKET PROVIDES SEAL TO INSIDE FACE OF ENCLOSURE PANEL. AVAILABLE DUST COVER PROVIDES ADDED PROTECTION.
 - CURRENT RATING: 1.5 AMPERES
 - CONTACT RESISTANCE: 50 MILLIOHMS MAXIMUM (SUBJECT TO VERIFICATION)
 - OPERATING TEMPERATURE: -40 °C to +105 °C
 - DUST COVERS MAY BE ORDERED SEPARATELY, SPECIFY
 - MUSB-2D11-004BP FOR GREY DUST COVER
 - SEE SHEET 2 FOR APPLICATION VIEW

ORDERING CODE: MUSB-DA11-XX

SERIES RUGGED USB _____
 USB SERIES 'B' RECEPTACLE, _____
 RIGHT ANGLE ON PCB WITH HOLES FOR WIRING _____
 THREAD OPTION _____
 3 = #4-40 UNC THREAD _____
 M = M3 x 0.5 THREAD _____
 DUST COVER OPTION _____
 0 = NO DUST COVER SUPPLIED _____
 1 = WITH GREY DUST COVER SUPPLIED _____

UNLESS SPECIFIED OTHERWISE	DRAWN	M.JOHNSTON	FEB04/10
PRIMARY UNITS MILLIMETERS	CHECKED		
SECONDARY INCHES	M.E. APP'D		
REFERENCE IN PARENTHESES	Q.A. APP'D		
GENERAL TOLERANCES	DWG APPR.	K.LAMBIE	FEB08/10
1 DECIMAL PLACE	ENG. REL. NO.	EAR 13657	
2 DECIMAL PLACES ±0.15	REF.		
3 DECIMAL PLACES	THIRD ANGLE PROJECTION		
ANGULAR DEGREES	DO NOT SCALE DRAWING		

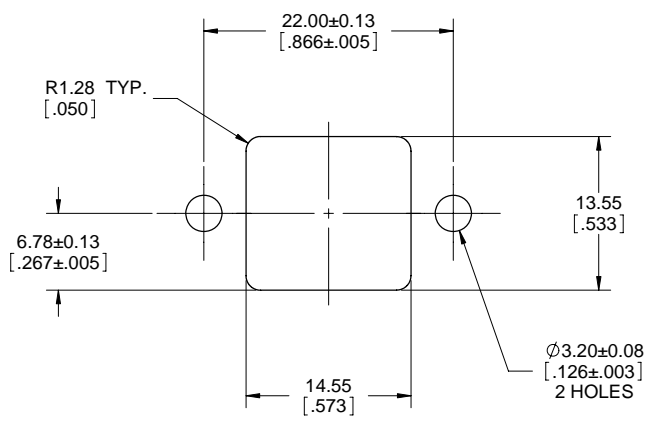
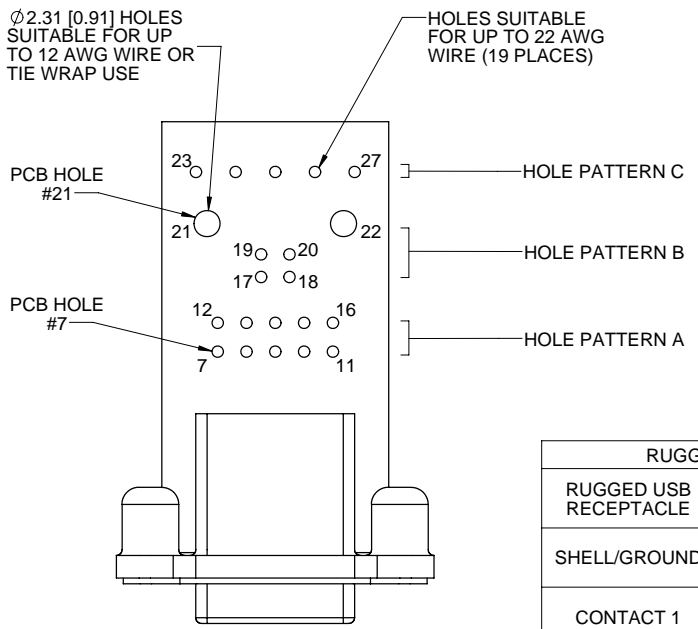
Amphenol Canada Corp.

MUSB RUGGED SERIES 'B' USB RECEPTACLE, RIGHT ANGLE, ON PCB WITH HOLES FOR WIRING, THREAD AND DUST COVER OPTIONS, RoHS COMPLIANT

DWG. NO. **P-MUSB-DA11-XX** REV **A**

CODE ID NO. 03554 DWG SIZE: X SCALE: 1:1 SHEET 1 OF 2

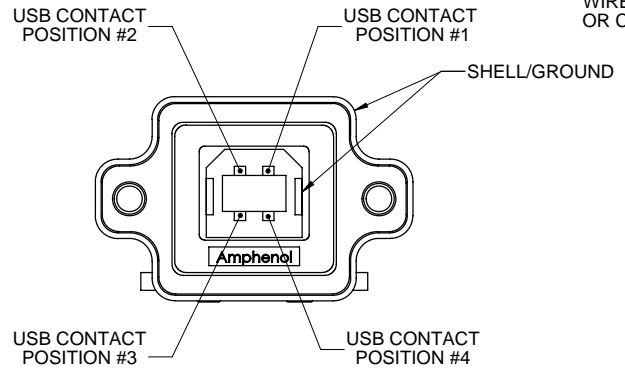
REVISIONS			
REV	DESCRIPTION, ECN, EAR NO.	DATE	APP'D
A	PRODUCT DRAWING (EAR 13657)	FEB08/10	K.L.



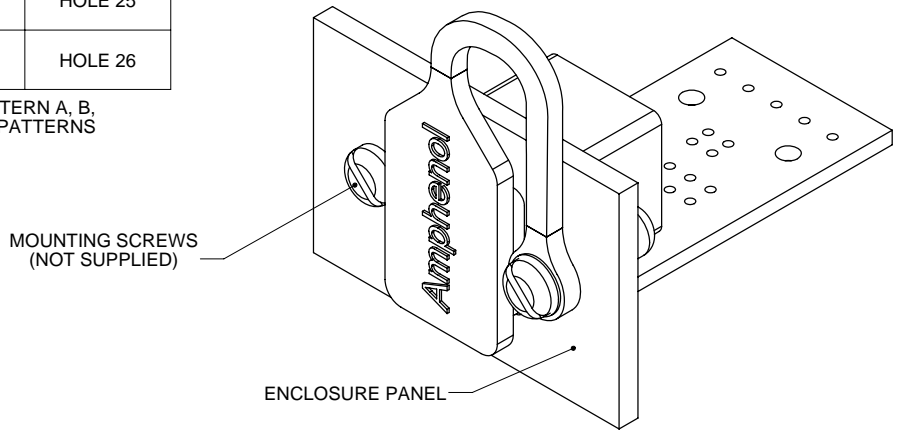
RECOMMENDED PANEL CUTOUT

RUGGED USB TO PCB CONNECTIONS CHART			
RUGGED USB RECEPTACLE	PCB HOLE PATTERN A	PCB HOLE PATTERN B	PCB HOLE PATTERN C
SHELL/GROUND	HOLE 11	HOLE 22 OR 21	HOLE 27
CONTACT 1	HOLE 8	HOLE 17	HOLE 23
CONTACT 2	HOLE 7	HOLE 18	HOLE 24
CONTACT 3	HOLE 9	HOLE 19	HOLE 25
CONTACT 4	HOLE 10	HOLE 20	HOLE 26

WIRES MAY BE CONNECTED TO HOLE PATTERN A, B, OR C, OR A COMBINATION OF THE THREE PATTERNS



MUSB CONTACT ASSIGNMENT



DUST COVER APPLICATION VIEW



UNLESS SPECIFIED OTHERWISE	DRAWN	M.JOHNSTON	FEB04/10
PRIMARY UNITS MILLIMETERS	CHECKED		
SECONDARY INCHES	M.E. APP'D		
REFERENCE IN PARENTHESES	Q.A. APP'D		
GENERAL TOLERANCES	DWG APPR.	K.LAMBIE	FEB08/10
1 DECIMAL PLACE	ENG. REL. NO.	EAR 13657	
2 DECIMAL PLACES ±0.15	REF.		
3 DECIMAL PLACES	THIRD ANGLE PROJECTION		
ANGULAR DEGREES	DO NOT SCALE DRAWING		

Amphenol Canada Corp.
MUSB RUGGED SERIES 'B' USB RECEPTACLE, RIGHT ANGLE, ON PCB WITH HOLES FOR WIRING, THREAD AND DUST COVER OPTIONS, RoHS COMPLIANT

DWG. NO. **P-MUSB-DA11-XX** REV **A**

CODE ID NO. 03554 DWG SIZE: X SCALE: 1:1 SHEET 2 OF 2