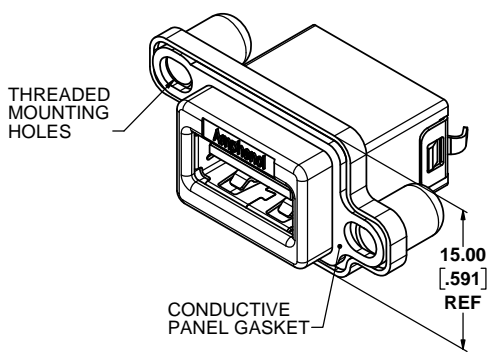
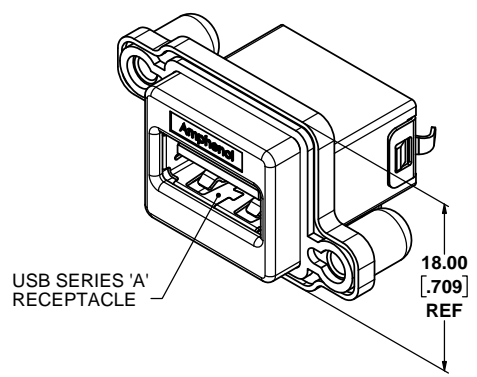


STANDARD PROFILE SHELL

LOW PROFILE SHELL



| REVISIONS | | | |
|-----------|-----------------------------|----------|-------|
| REV | DESCRIPTION, ECN, EAR NO. | DATE | APP'D |
| C | PRODUCT DRAWING (EAR 14682) | JUL24/18 | K.L. |



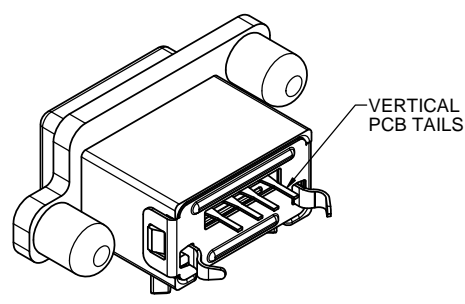
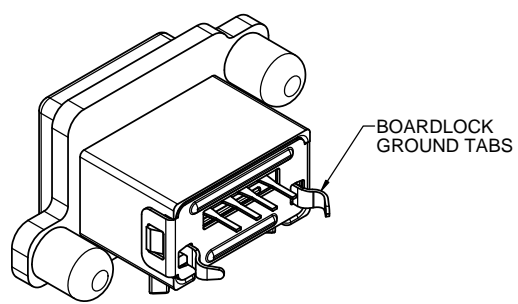
ORDERING CODE: MUSBR-A511-XX

SERIES, RUGGED USB

USB SERIES 'A' RECEPTACLE, SINGLE PORT, VERTICAL PCB TAIL

SHELL & THREAD OPTION
 3 = STD. PROFILE, #4-40 UNC THREAD
 4 = LOW PROFILE, #4-40 UNC THREAD
 M = STD. PROFILE, M3 X 0.5 THREAD
 R = LOW PROFILE, M3 X 0.5 THREAD

DUST COVER OPTION
 0 = NO DUST COVER SUPPLIED
 1 = WITH GREY DUST COVER SUPPLIED
 5 = WITH BLACK DUST COVER SUPPLIED



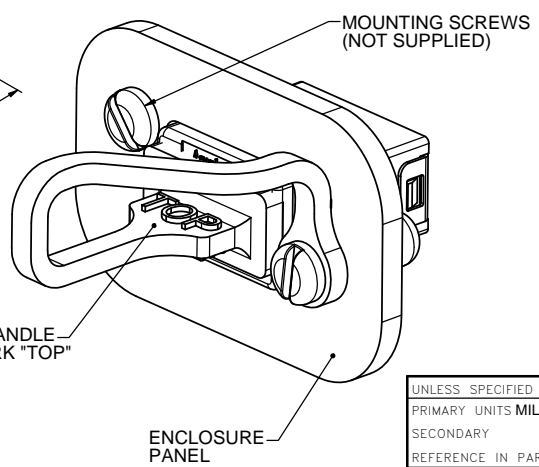
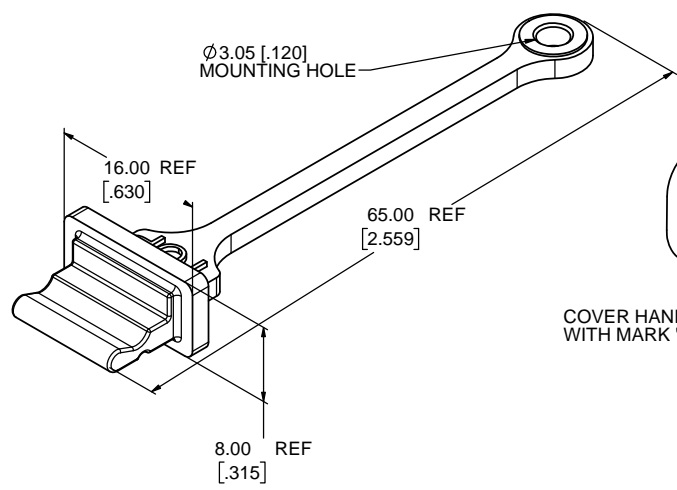
SPECIAL CONNECTORS
 MANY UNIQUE FEATURES ARE READILY AVAILABLE TO SUIT CUSTOMER REQUIREMENTS. CONSULT WITH AMPHENOL CANADA FOR DETAILS.

NOTES:

- MATERIAL:**
 - ALL MATERIALS ARE RoHS COMPLIANT PER EU DIRECTIVE 2011/65/EU AND AMENDMENTS.
 - OUTER SHELL - DIECAST ZINC ALLOY, NICKEL PLATED
 - CONTACTS - PHOSPHOR BRONZE, PLATED WITH 1.27µm (50µ") MIN. NICKEL OVERALL, FOLLOWED BY 0.76µm (30µ") MIN. GOLD ON THE MATING AREA AND 3.05µm (120µ") MIN. MATTE TIN ON THE TAILS.
 - USB HOUSING - ENGINEERING THERMOPLASTIC, HIGH TEMPERATURE RESISTANT, FLAMMABILITY RATING UL94V-0, BLACK.
 - USB SHIELD & BACK COVER - STAINLESS STEEL, PASSIVATED.
 - PANEL GASKET - CONDUCTIVE SILICONE RUBBER, BLACK
 - DUST COVER - SILICONE RUBBER WITH NICKEL PLATED BRASS BUSHING. SEE ORDERING CODE FOR DUST COVER COLOUR OPTIONS.
- ENVIRONMENTAL PERFORMANCE PER IEC 60529 CODE IP67 FOR SEAL BETWEEN MATING AREA AND PCB SIDE OF CONNECTOR. GASKET PROVIDES SEAL TO INSIDE FACE OF ENCLOSURE PANEL. AVAILABLE DUST COVER PROVIDES ADDED PROTECTION.
- CURRENT RATING: 1.5 AMPERES.
- CONTACT RESISTANCE: 30 MILLIOHMS MAXIMUM.
- OPERATING TEMPERATURE: -40°C TO +105°C.
- DUST COVERS MAY BE ORDERED SEPARATELY. SPECIFY
 - PART NUMBER MUSB-2A111-014BP FOR THE GREY COVER
 - PART NUMBER MUSB-2A111-024BP FOR THE BLACK COVER

DUST COVER OPTION
SEE ORDERING CODE

DUST COVER APPLICATION VIEW



| | | | |
|----------------------------|------------------------|------------|----------|
| UNLESS SPECIFIED OTHERWISE | DRAWN | A.ESPIE | AUG22/12 |
| PRIMARY UNITS MILLIMETERS | CHECKED | | |
| SECONDARY INCHES | M.E. APP'D | | |
| REFERENCE IN PARENTHESES | Q.A. APP'D | | |
| GENERAL TOLERANCES | DWG APPR. | K.LAMBIE | AUG27/12 |
| 1 DECIMAL PLACE | ENG. REL. NO. | ECN E14115 | |
| 2 DECIMAL PLACES ±0.15 | REF. | | |
| 3 DECIMAL PLACES | THIRD ANGLE PROJECTION | | |
| ANGULAR DEGREES | DO NOT SCALE DRAWING | | |

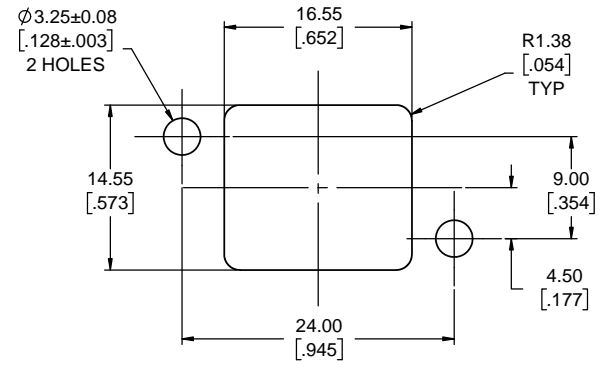
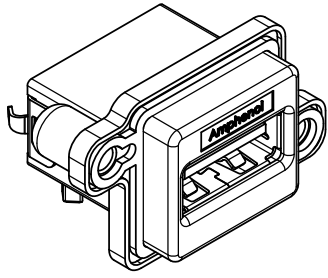
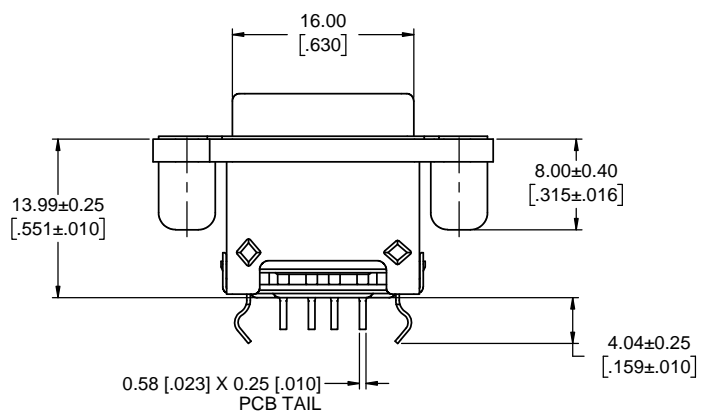
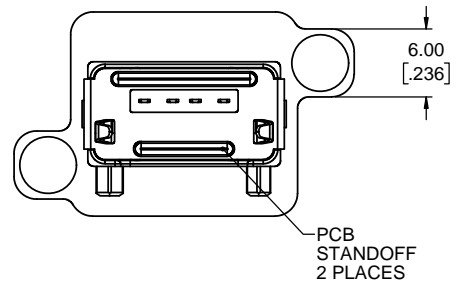
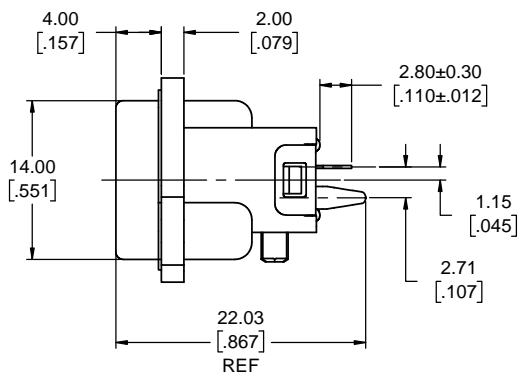
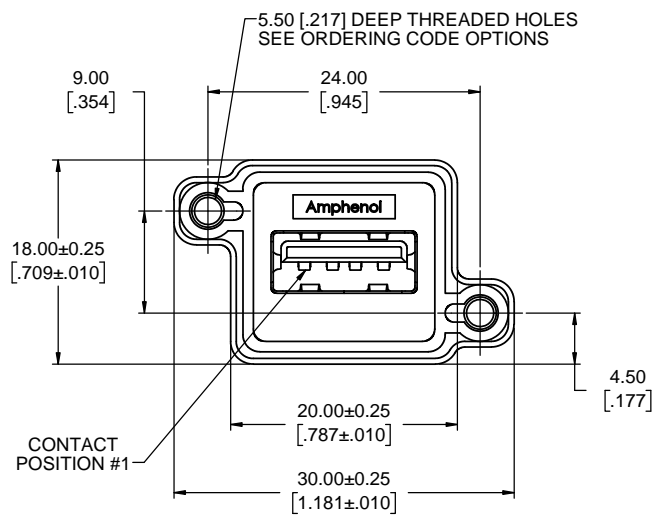
Amphenol Canada Corp.
www.amphenolcanada.com

MUSBR SERIES RUGGED USB CONNECTOR, SERIES 'A' RECEPTACLE, SINGLE PORT, VERTICAL PCB TAIL, THREAD, SHELL & DUST COVER OPTIONS, RoHS COMPLIANT

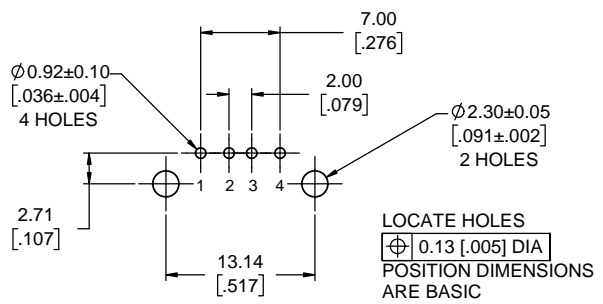
P-MUSBR-A511-XX

CODE ID NO. 03554 DWG. SIZE: X SCALE: 3:1 SHEET 1 OF 3

| REVISIONS | | | |
|-----------|-----------------------------|----------|-------|
| REV | DESCRIPTION, ECN, EAR NO. | DATE | APP'D |
| C | PRODUCT DRAWING (EAR 14682) | JUL24/18 | K.L. |



RECOMMENDED PANEL CUTOUT
OUTSIDE VIEW OF PANEL



RECOMMENDED PCB LAYOUT
COMPONENT SIDE OF BOARD

STANDARD PROFILE
SHELL SHOWN

AMPHENOL CANADA PART NUMBERS: MUSBR-A511-3X
MUSBR-A511-MX



| | | | |
|----------------------------|------------------------|------------|----------|
| UNLESS SPECIFIED OTHERWISE | DRAWN | A.ESPIE | AUG22/12 |
| PRIMARY UNITS MILLIMETERS | CHECKED | | |
| SECONDARY INCHES | M.E. APP'D | | |
| REFERENCE IN PARENTHESES | Q.A. APP'D | | |
| GENERAL TOLERANCES | DWG APPR. | K.LAMBIE | AUG27/12 |
| 1 DECIMAL PLACE | ENG. REL. NO. | ECN E14115 | |
| 2 DECIMAL PLACES ±0.15 | REF. | | |
| 3 DECIMAL PLACES | THIRD ANGLE PROJECTION | | |
| ANGULAR DEGREES | DO NOT SCALE DRAWING | | |

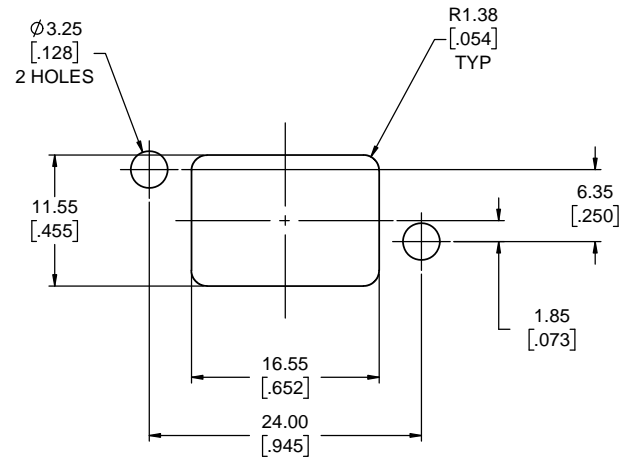
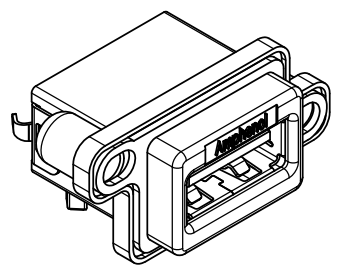
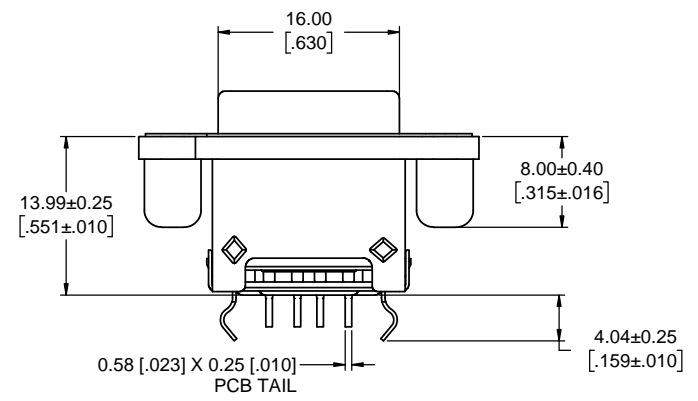
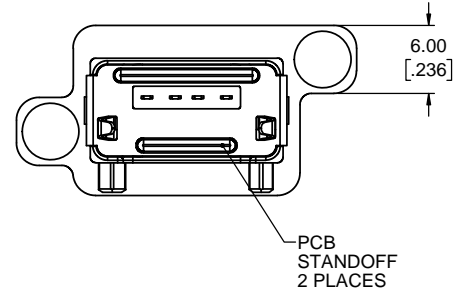
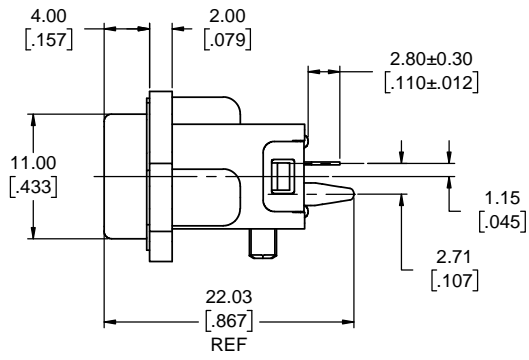
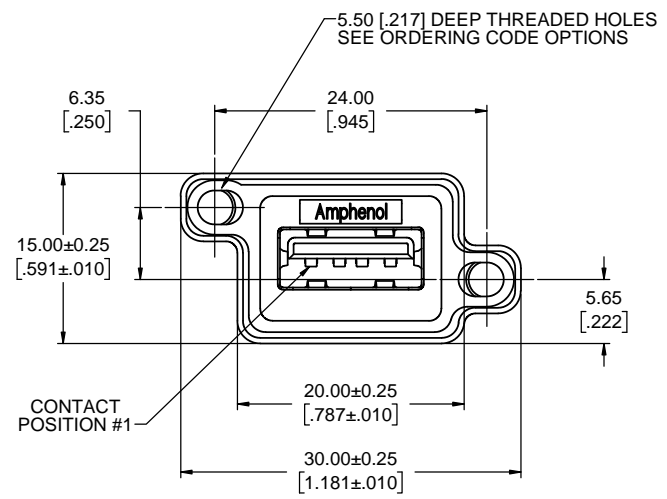
Amphenol Canada Corp.
www.amphenolcanada.com

MUSBR SERIES RUGGED USB CONNECTOR, SERIES 'A' RECEPTACLE, SINGLE PORT, VERTICAL PCB TAIL, THREAD, SHELL & DUST COVER OPTIONS, RoHS COMPLIANT

DWG. NO. **P-MUSBR-A511-XX** REV **C**

CODE ID NO. 03554 DWG SIZE: X SCALE: 3:1 SHEET 2 OF 3

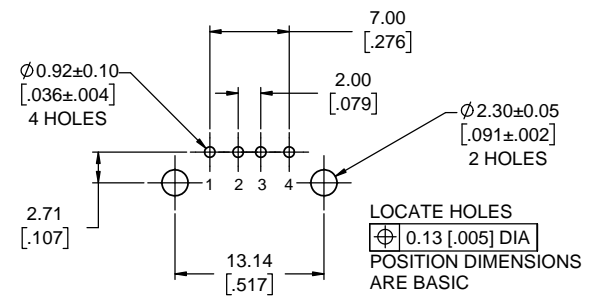
| REVISIONS | | | |
|-----------|-----------------------------|----------|-------|
| REV | DESCRIPTION, ECN, EAR NO. | DATE | APP'D |
| C | PRODUCT DRAWING (EAR 14682) | JUL24/18 | K.L. |



RECOMMENDED PANEL CUTOUT
OUTSIDE VIEW OF PANEL

LOW PROFILE SHELL SHOWN

AMPHENOL CANADA PART NUMBERS: MUSBR-A511-4X
MUSBR-A511-RX



RECOMMENDED PCB LAYOUT
COMPONENT SIDE OF BOARD

| | | | |
|----------------------------|------------------------|------------|----------|
| UNLESS SPECIFIED OTHERWISE | DRAWN | A.ESPIE | AUG22/12 |
| PRIMARY UNITS MILLIMETERS | CHECKED | | |
| SECONDARY INCHES | M.E. APP'D | | |
| REFERENCE IN PARENTHESES | Q.A. APP'D | | |
| GENERAL TOLERANCES | DWG APPR. | K.LAMBIE | AUG27/12 |
| 1 DECIMAL PLACE | ENG. REL. NO. | ECN E14115 | |
| 2 DECIMAL PLACES ±0.15 | REF. | | |
| 3 DECIMAL PLACES | THIRD ANGLE PROJECTION | | |
| ANGULAR DEGREES | DO NOT SCALE DRAWING | | |

Amphenol Canada Corp.
www.amphenolcanada.com

MUSBR SERIES RUGGED USB CONNECTOR, SERIES 'A' RECEPTACLE, SINGLE PORT, VERTICAL PCB TAIL, THREAD, SHELL & DUST COVER OPTIONS, RoHS COMPLIANT

DWG. NO. **P-MUSBR-A511-XX** REV **C**

CODE ID NO. 03554 DWG SIZE: X SCALE: 3:1 SHEET 3 OF 3