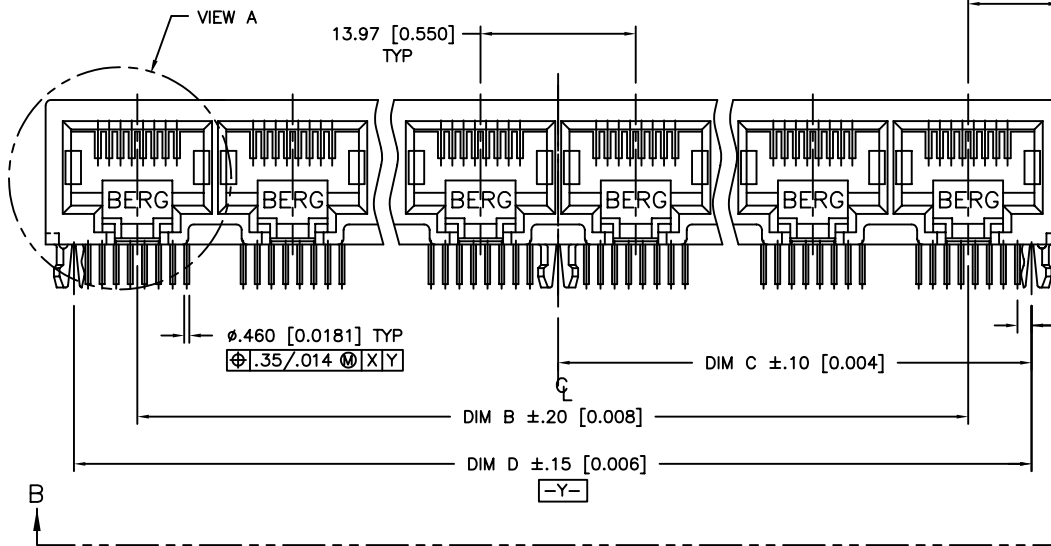
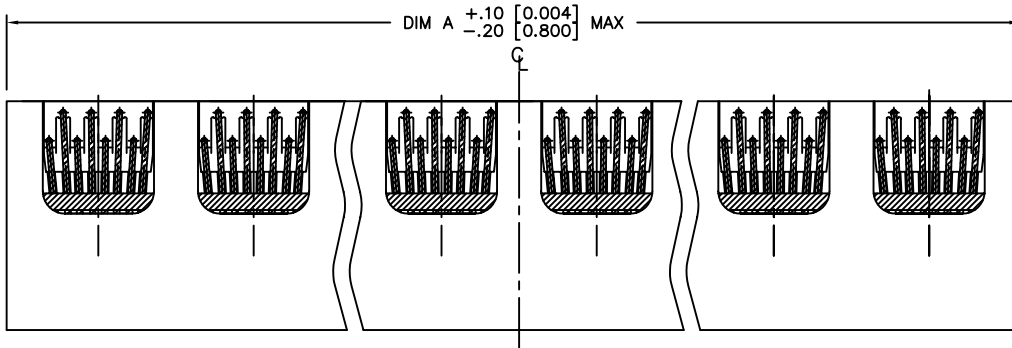


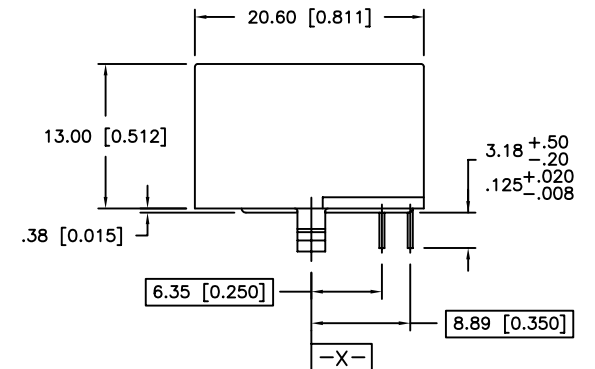
All rights strictly reserved. Reproduction or issue to third parties in any form whatever is not permitted without written authority from the proprietor. Property of FCI. Copyright FCI.

Tous droits strictement reserves. Reproduction ou communication a des tiers interdite sous quelque forme que ce soit sans autorisation écrite du propriétaire. Propriete de c FCI. Droits de reproduction FCI.

PRODUCT NO.  
94911-XXXXLF



8.26 [0.325] -X02LF THRU -X12LF  
7.62 [0.300] -X01LF



2.54 [0.100] -X02LF THRU -X12LF  
1.91 [0.075] -X01LF

mat'l. code				tolerances unless otherwise specified			CUSTOMER COPY		 www.fciconnect.com	
ltr	ecn no	dr	date	linear	.X±.3/XX ±.01		projection	title R/A. 8 POS GANG JACK ASSY. UNSHIELDED, SNAP PEG		
H	T80171	CATHY	6/10/98		.XX±.13/XXX ±.005					
J	V81304	RGD	7/13/98	angles	XXX±.051/XXXX ±.0020		 MM/INCH	product family MOD JACK size dwg no A 94911		
K	N04-0119	MHT	12/9/04		0° ±2°					
				dr	KCHOU	5/5/94	scale 1:1	code - sheet 1 of 5		
				engr	TC	5/5/94				
				chr	JTSAO	5/5/94				
				appd	JTSAO	5/5/94				
sheet index	revision sheet	K	J	J	J	J				
		1	2	3	4	5				

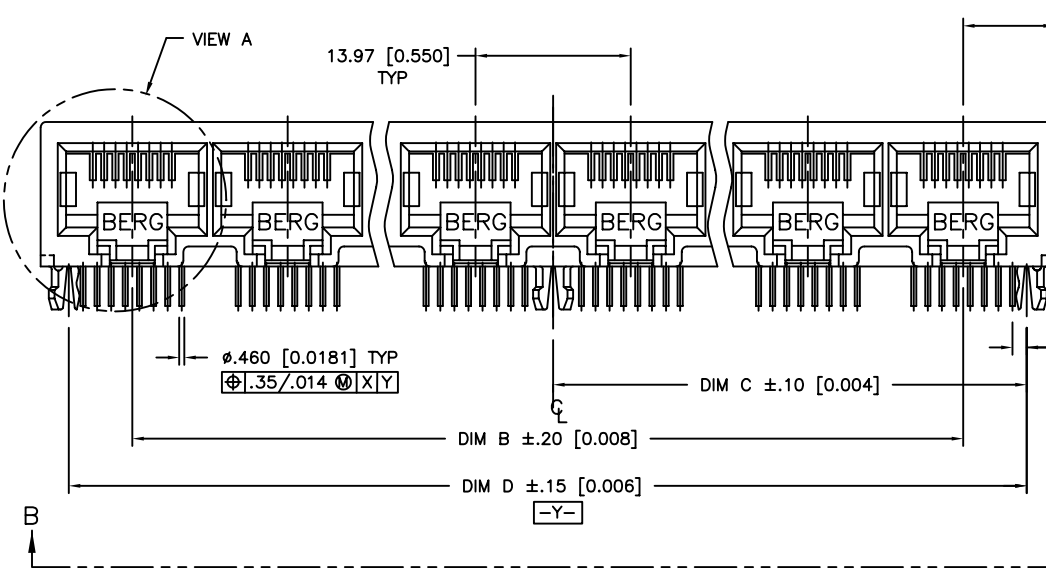
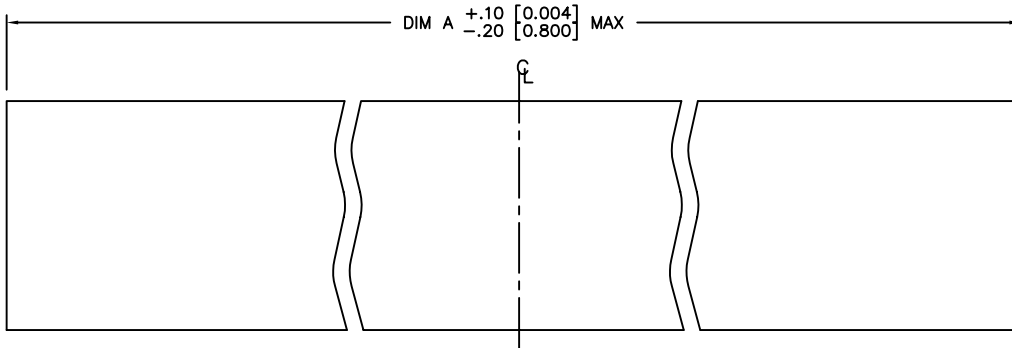
cage code  
22526

ACAD

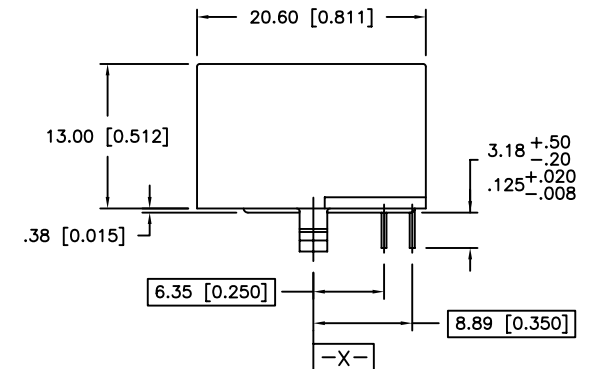
All rights strictly reserved. Reproduction or issue to third parties in any form whatever is not permitted without written authority from the proprietor. Property of FCI. Copyright FCI.

Tous droits strictement reserves. Reproduction ou communication a des tiers interdite sous quelque forme que ce soit sans autorisation ecrite du proprietaire. Propriete de c FCI. Droits de reproduction FCI.

PRODUCT NO.  
94911-XXXMLF



8.26 [0.325] -X02MLF THRU -X12MLF  
7.62 [0.300] -X01MLF



mat'l. code				tolerances unless otherwise specified			CUSTOMER COPY		 www.fciconnect.com	
ltr	ecn no	dr	date	linear	.X $\pm$ .3/XX $\pm$ .01		projection	 title R/A. 8 POS GANG JACK ASSY. UNSHIELDED, SNAP PEG		
J					.XX $\pm$ .13/XXX $\pm$ .005					
					XXX $\pm$ .051/XXXX $\pm$ .0020					
				angles	0° $\pm$ 2°		 MM/INCH	product family MOD JACK		code
				dr	KCHOU	5/5/94		size dwg no		-
				engr	TC	5/5/94		A		94911
				chr	JTSAO	5/5/94	scale		1:1	2 of
				appd	JTSAO	5/5/94				
sheet index	revision sheet									

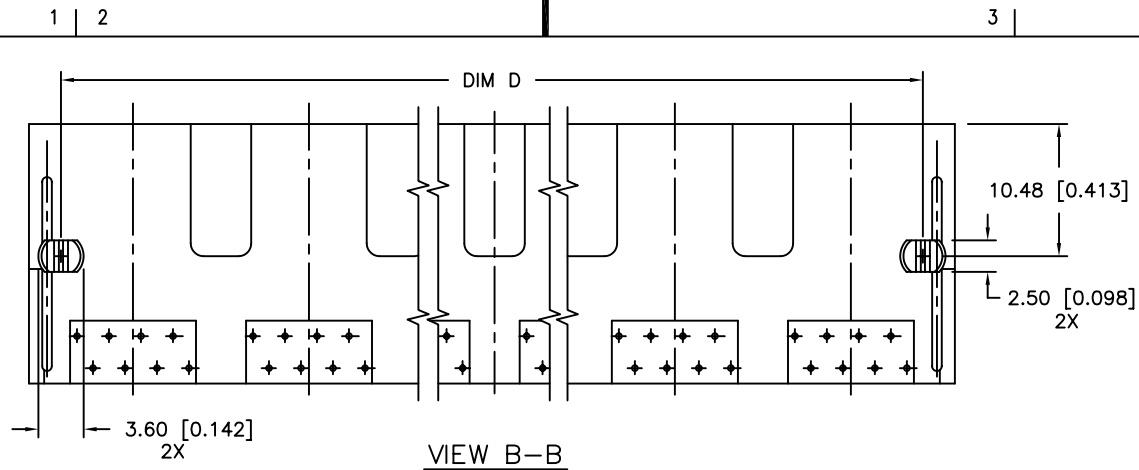
ACAD

cage code  
22526

Tous droits strictement reserves. Reproduction ou communication a des tiers interdite sous quelque forme que ce soit sans autorisation écrite du propriétaire. Propriete de c FCI. Droits de reproduction FCI.

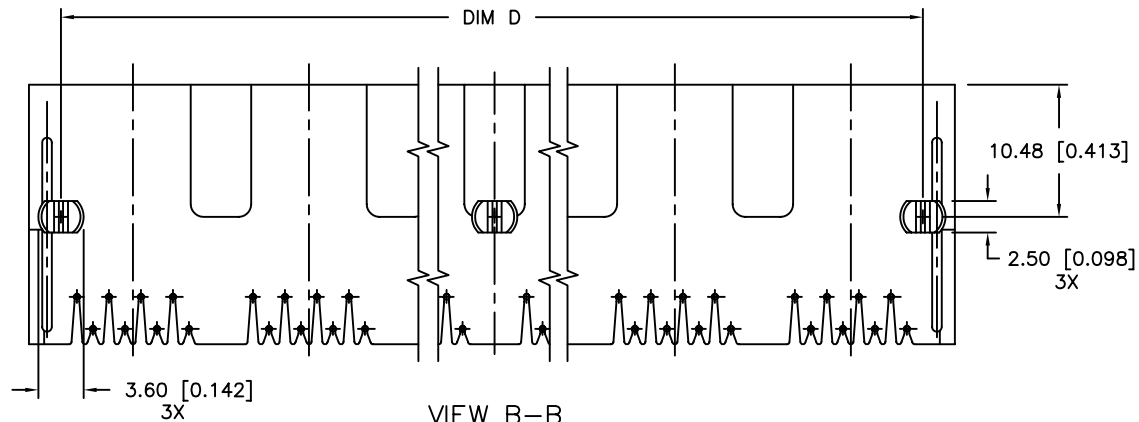
All rights strictly reserved. Reproduction or issue to third parties in any form whatever is not permitted without written authority from the proprietor. Property of FCI. Copyright FCI.

PRODUCT NO.  
SEE TABLE




VIEW B-B

-XXXLF PRODUCT ONLY (WITHOUT CENTER PEG - SEE NOTE 4)



VIEW B-B

-XXXMLF PRODUCT ONLY (WITH CENTER PEG - SEE NOTE 3)

mat'l. code		tolerances unless otherwise specified		CUSTOMER COPY		 www.fciconnect.com	
ltr	ecn no	dr	date	linear	.X±.3/XX ±.01	projection	title
J					.XX±.13/XXX ±.005		
				angles	XXX±.051/XXXX ±.0020	MM/INCH	product family MOD JACK
				dr	0° ±2'		
				enr	KCHOU 5/5/94	1:1	A
				chr	TC 5/5/94		
				appd	JTSAO 5/5/94	3 of	sheet
sheet index	revision sheet						

cage code  
22526

ACAD

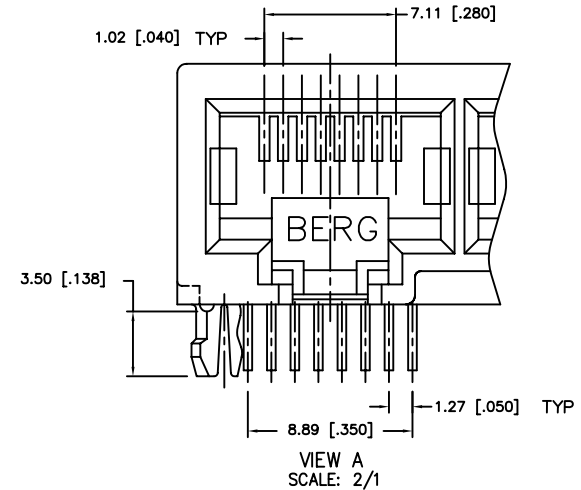
All rights strictly reserved. Reproduction or issue to third parties in any form whatever is not permitted without written authority from the proprietor. Property of FCI. Copyright FCI.

Tous droits strictement réservés. Reproduction ou communication à des tiers interdite sous quelque forme que ce soit sans autorisation écrite du propriétaire. Propriété de c FCI. Droits de reproduction FCI.

FCI

PRODUCT No.	NO OF PORTS	DIM A $\begin{smallmatrix} +.10 \\ -.20 \end{smallmatrix}$ $\begin{smallmatrix} [0.004] \\ [0.008] \end{smallmatrix}$	DIM B	DIM C $\pm .10$ [0.004]	DIM D $\pm .15$ [0.006]
94911-X01MLF	1	15.24 [0.600]	-----	5.72 [0.225]	11.43 [0.450]
94911-X02MLF	2	30.48 [1.200]	13.97 [0.550]	12.70 [0.500]	25.40 [1.000]
94911-X03MLF	3	44.45 [1.750]	27.94 [1.100]	19.69 [0.775]	39.37 [1.550]
94911-X04MLF	4	58.42 [2.300]	41.91 [1.650]	26.67 [1.050]	53.34 [2.100]
94911-X05MLF	5	72.39 [2.850]	55.88 [2.200]	33.66 [1.325]	67.31 [2.650]
94911-X06MLF	6	86.36 [3.400]	69.85 [2.750]	40.64 [1.600]	81.28 [3.200]
94911-X07MLF	7	100.33 [3.950]	83.82 [3.300]	47.63 [1.875]	95.25 [3.750]
94911-X08MLF	8	114.30 [4.500]	97.79 [3.850]	54.61 [2.150]	109.22 [4.300]
94911-X08LLF	8	114.30 [4.500]	97.79 [3.850]	54.61 [2.150]	109.22 [4.300]
94911-X09MLF	9	128.27 [5.050]	111.76 [4.400]	61.60 [2.425]	123.19 [4.850]
94911-X10MLF	10	142.24 [5.600]	125.73 [4.950]	68.58 [2.700]	137.16 [5.400]
94911-X11MLF	11	156.21 [6.150]	139.70 [5.500]	75.57 [2.975]	151.13 [5.950]
94911-X12MLF	12	170.18 [6.700]	153.67 [6.050]	82.55 [3.250]	165.10 [6.500]

PRODUCT No.	NO OF PORTS	DIM A $\begin{smallmatrix} +.10 \\ -.20 \end{smallmatrix}$ $\begin{smallmatrix} [0.004] \\ [0.008] \end{smallmatrix}$	DIM B	DIM C $\pm .10$ [0.004]	DIM D $\pm .15$ [0.006]
94911-X01LF	1	15.24 [0.600]	-----	5.72 [0.225]	11.43 [0.450]
94911-X02LF	2	30.48 [1.200]	13.97 [0.550]	12.70 [0.500]	25.40 [1.000]
94911-X03LF	3	44.45 [1.750]	27.94 [1.100]	19.69 [0.775]	39.37 [1.550]
94911-X04LF	4	58.42 [2.300]	41.91 [1.650]	26.67 [1.050]	53.34 [2.100]
94911-X05LF	5	72.39 [2.850]	55.88 [2.200]	33.66 [1.325]	67.31 [2.650]
94911-X06LF	6	86.36 [3.400]	69.85 [2.750]	40.64 [1.600]	81.28 [3.200]
94911-X07LF	7	100.33 [3.950]	83.82 [3.300]	47.63 [1.875]	95.25 [3.750]
94911-X08LF	8	114.30 [4.500]	97.79 [3.850]	54.61 [2.150]	109.22 [4.300]
94911-X09LF	9	128.27 [5.050]	111.76 [4.400]	61.60 [2.425]	123.19 [4.850]
94911-X10LF	10	142.24 [5.600]	125.73 [4.950]	68.58 [2.700]	137.16 [5.400]
94911-X11LF	11	156.21 [6.150]	139.70 [5.500]	75.57 [2.975]	151.13 [5.950]
94911-X12LF	12	170.18 [6.700]	153.67 [6.050]	82.55 [3.250]	165.10 [6.500]



NOTES

1. APPLICABLE PC BOARD THICKNESS: 1.60 [0.062].
2. CONTACTS: PHOSPHOR BRONZE ALLOY UNS-C51000,  $\phi .460$  [0.0181] ROUND WIRE, SEE TABLE FOR PLATING.
3. CENTER PEG FOR 8 PORTS AND ABOVE, (-XXXMLF PRODUCT ONLY).
4. NO CENTER PEG FOR P/N 94911-008LLF, AND -XXXLF PRODUCT.
5. PART NUMBERS WITH LF IN THE END ARE LEAD FREE.
6. THIS PRODUCT MEETS EUROPEAN UNION DIRECTIVES AND OTHER COUNTRY REGULATION AS DESCRIBED IN GS-22-008.
7. THE HOUSING WITHSTAND EXPOSURE TO 260° PEAK TEMPERATURE FOR 15 SECONDS IN A CONVENTION INFRA-RED OR VAPOR PHASE REFLOW OVEN.

PLATING CODE X	PLATING
0	.76uM/30u" G.X.T.
1	.38uM/15u" GOLD
3	.76uM/30u" GOLD
5	1.27uM/50u" GOLD

mat'l. code		tolerances unless otherwise specified		CUSTOMER COPY		 www.fciconnect.com	
ltr	ecn no	dr	date	linear	.X $\pm$ .3/XX $\pm$ .01	projection	title
J					.XX $\pm$ .13/XXX $\pm$ .005		R/A. 8 POS GANG JACK ASSY. UNSHIELDED, SNAP PEG
				angles	XXX $\pm$ .051/XXXX $\pm$ .0020		
					0° $\pm$ 2°	MM/INCH	product family MOD JACK
				dr	KCHOU 5/5/94	scale	code
				engr	TC 5/5/94	1:1	—
				chr	JTSAO 5/5/94	size	dwg no
				appd	JTSAO 5/5/94	A	94911
sheet index	revision sheet						sheet 4 of

