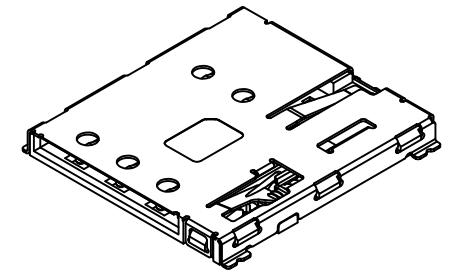


Recommended PCB Layout

(Viewed from Component Side - Tolerance: ±0.05mm)

Solder Area
 Keep Out Area
 Component Outline



Specifications

Material

- Housing : LCP E130i, UL94V-0, Black
- Slide : LCP MG350, UL94V-0, Black
- Contact Terminal: Phosphor Bronze, C5191
- Metallic Shell: SUS304
- Spring: SWP-B
- Link: SUS304

Plating

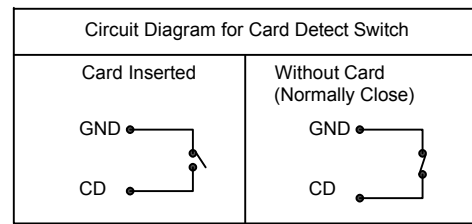
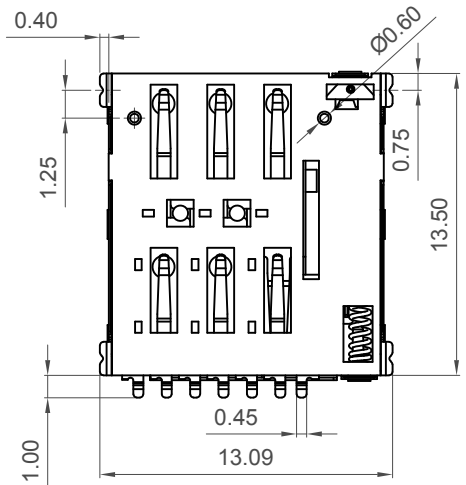
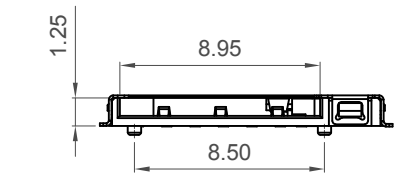
- Contact :
 - Contact Area: Gold Flash over Nickel
 - Soldering Tail: Gold Flash over Nickel
- Shell:
 - Soldering Tail: Gold Flash over Nickel
- Spring: Nickel

Electrical

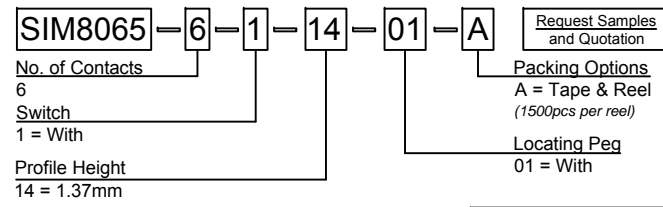
- Voltage rating: 30V AC/DC
- Current Rating: 1.0 Amp AC/DC Max.
- Contact Resistance:
 - Signal contact: 100 mΩ Max.
 - CD to GND: 200 mΩ Max.
- Dielectric Withstanding Voltage: 500V AC (60 Sec Min.)
- Insulation Resistance: 1000 MΩ Min. @500V DC

Mechanical & Environmental

- Operating Temperature: -40°C to +85°C
- Durability : 5,000 cycles



Ordering Grid

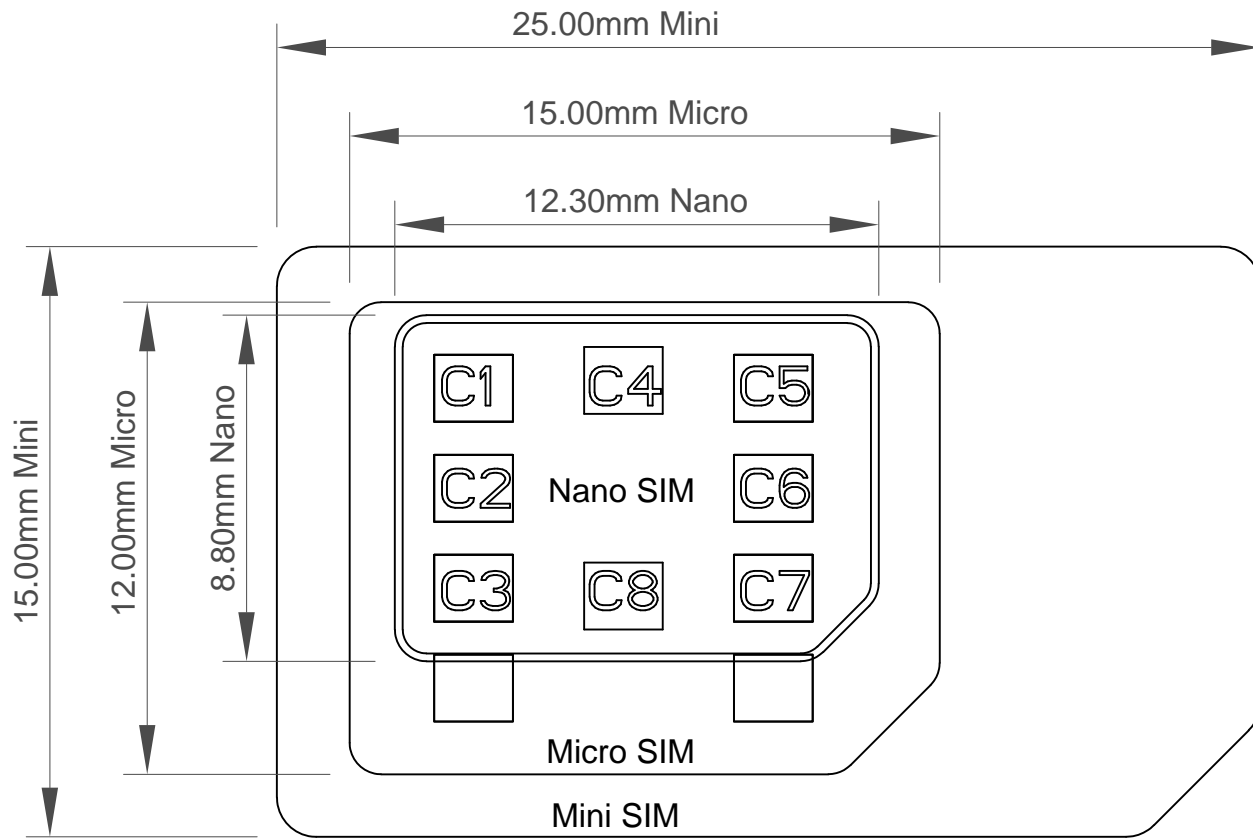


Part Number		Product Description	
SIM8065		Nano SIM Card Connector	
Drawing Date		Push-Push Type, SMT, 6Pin, 1.37mm Profile	
10th January 2020			
By	CC	Tolerances (Except as Noted)	Units:
Detail	Drawing Release	Length	Metric (mm)
Revision	A1	X.X ± 0.30	
Date	14/04/20	X.XX ± 0.20	
		X.XXX ± 0.10	

GCT
www.gct.co

This drawing is confidential and copyright of Global Connector Technology, Ltd (GCT). This drawing must not be copied or disclosed without written consent. E & OE

Not to Scale	Drawn By CC	Sheet No. 1/3
--------------	-------------	---------------



- C1----->VCC
- C2----->RST
- C3----->CLK
- C5----->GND
- C6----->Vpp
- C7----->I/O

Reference

Part Number		Product Description		GCT www.gct.co
SIM8065		Nano SIM Card Connector		
Drawing Date		Push-Push Type, SMT, 6Pin, 1.37mm Profile		
10th January 2020				
By	CC	Tolerances (Except as Noted)		RoHS COMPLIANT 2011/65/UE Deca-SIDE
Detail	Drawing Release	Length	Angle	
Revision	A1	X.X ± 0.30	± 2°	© This drawing is confidential and copyright of Global Connector Technology, Ltd (GCT). This drawing must not be copied or disclosed without written consent. E & OE
Date	14/04/20	X.XX ± 0.20	X.XXX ± 0.10	
		3rd Angle Projection		Not to Scale
				Drawn By CC
				Sheet No. 2/3

H

G

F

E

D

C

B

A

1

2

3

4

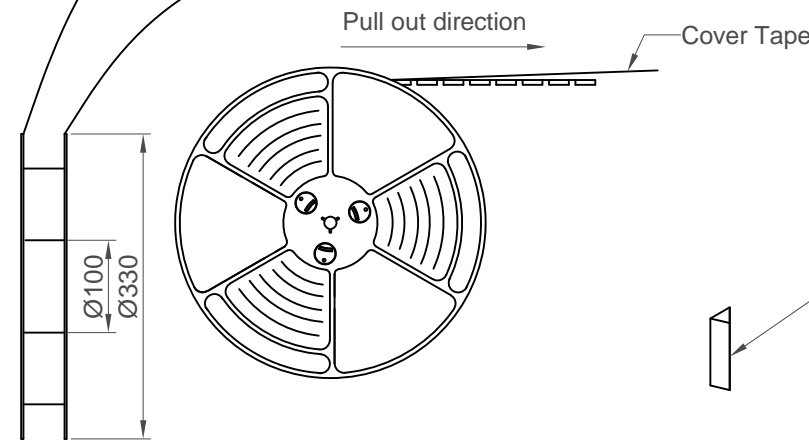
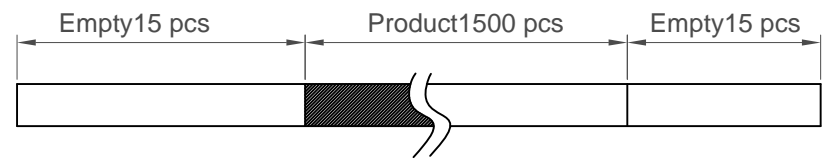
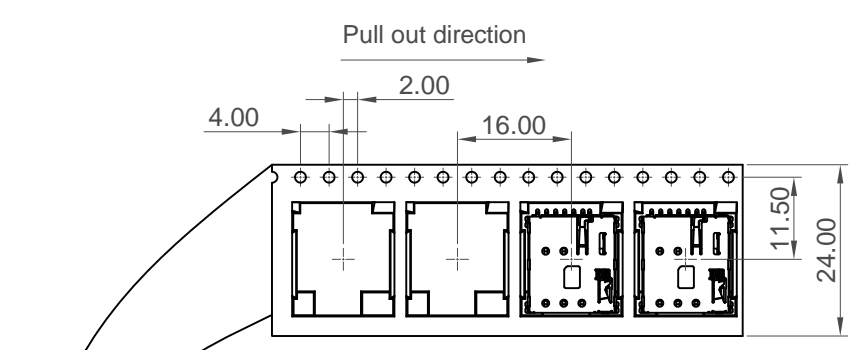
5

6

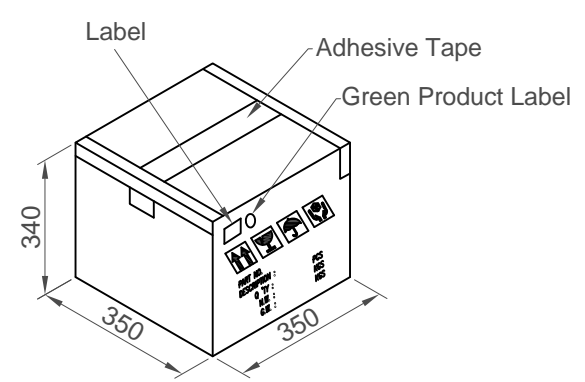
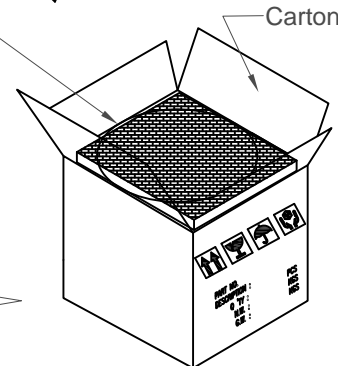
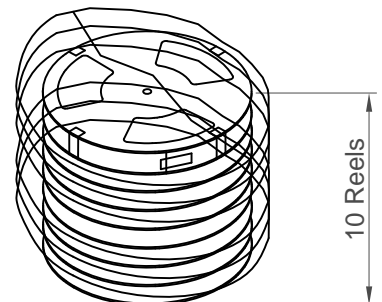
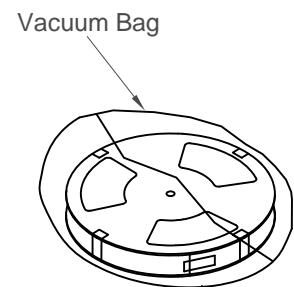
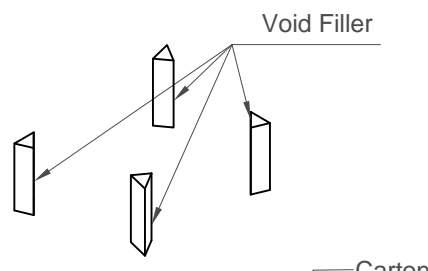
7

8

H
G
F
E
D
C
B
A



Pcs/Reel	Reels/Carton	Pcs/Carton
1500	10	15000



Part Number		Product Description		
SIM8065		Nano SIM Card Connector		
Drawing Date		Push-Push Type, SMT, 6Pin, 1.37mm Profile		
10th January 2020				
By	CC	Tolerances (Except as Noted)	Units:	
Detail	Drawing Release	Length	Metric (mm)	
Revision	A1	X.X ± 0.30	 	
Date	14/04/20	X.XX ± 0.20		This drawing is confidential and copyright of Global Connector Technology, Ltd (GCT). This drawing must not be copied or disclosed without written consent. E & OE
		X.XXX ± 0.10		

GCT
www.gct.co

Not to Scale	Drawn By CC	Sheet No. 3/3
--------------	----------------	------------------

1 2 3 4 5 6 7 8