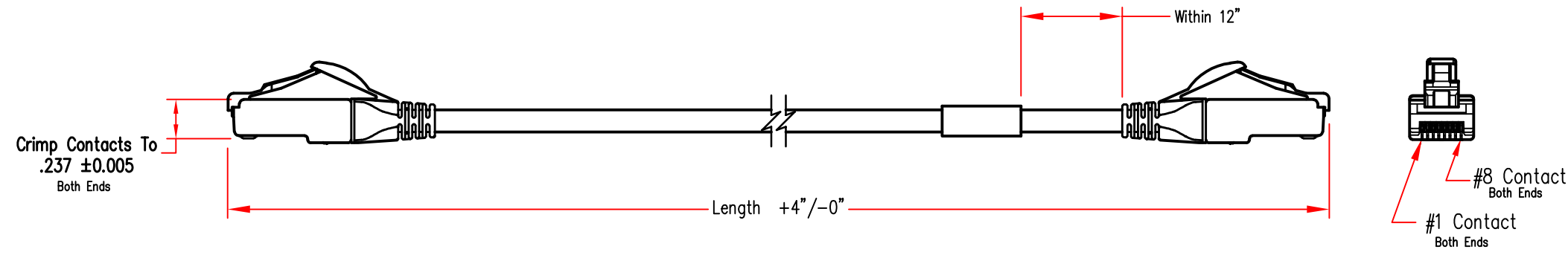


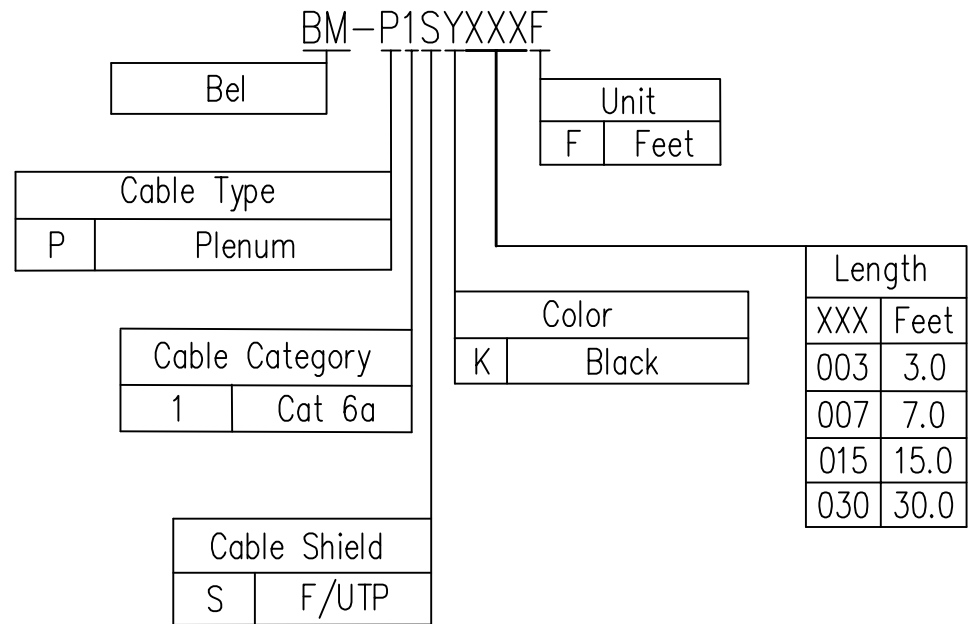
DATE	REV	ECN	APP'D. BY
08/18/20	A0	Released	JME
09/25/20	A1	11625	BTS



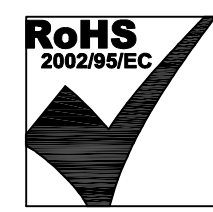
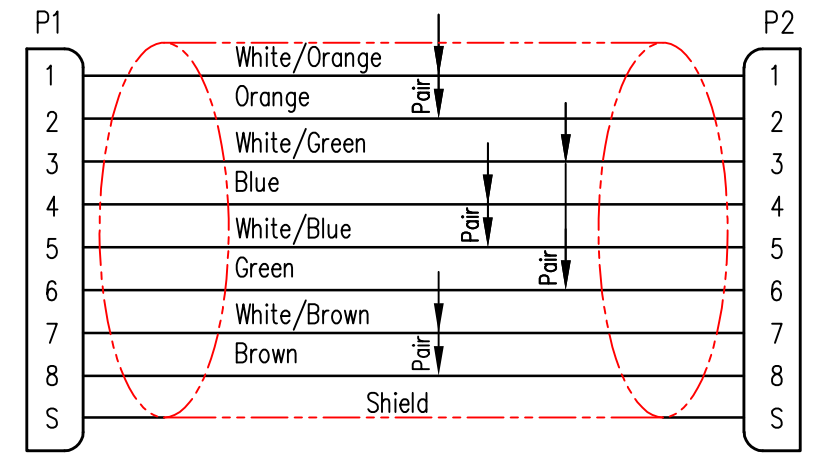
**Notes:**

- 1) Each cable assembly to be individually bagged.
- 2) 50μ" Gold plating on contacts
- 3) Plenum Cable Construction:
  - 26AWG Stranded
  - 4Pr, F/UTP, Type CMP
  - PVC Jacket
- 4) Slimline Snagless Strain Relief
- 5) 100% Transmission Tested for Performance

**Part Number Structure**



**Wiring Map: 568B Standard**



THIRD ANGLE PROJECTION		206 Van Vorst Street Jersey City, NJ 07302 +1 201 432 0463 <a href="http://www.belfuse.com">http://www.belfuse.com</a>	
DO NOT SCALE DRAWING DRAWING IS SUBJECT TO CHANGE WITHOUT NOTICE		TITLE: <b>Bel Cable Assembly, CAT 6A, F/UTP, 26 AWG, CMP, Plenum Cable</b>	
DIMENSIONS: INCHES [METRIC]	THIS DRAWING AND THE SUBJECT MATTER SHOWN THEREON ARE CONFIDENTIAL AND THE PROPRIETARY PROPERTY OF BEL FUSE, INC. AND SHALL NOT BE REPRODUCED, COPIED, OR USED IN ANY MANNER WITHOUT PRIOR WRITTEN CONSENT OF BEL FUSE, INC.	DRN BY: BTS	DATE 08/18/20
UNLESS OTHERWISE SPECIFIED TOLERANCES ARE ±.005 [0.13] ANGLES ARE ± 1°		APPD BY: JME	DATE 08/18/20
SHEET NO. 1 OF 1		DWG NO. CT999222	REV. A1